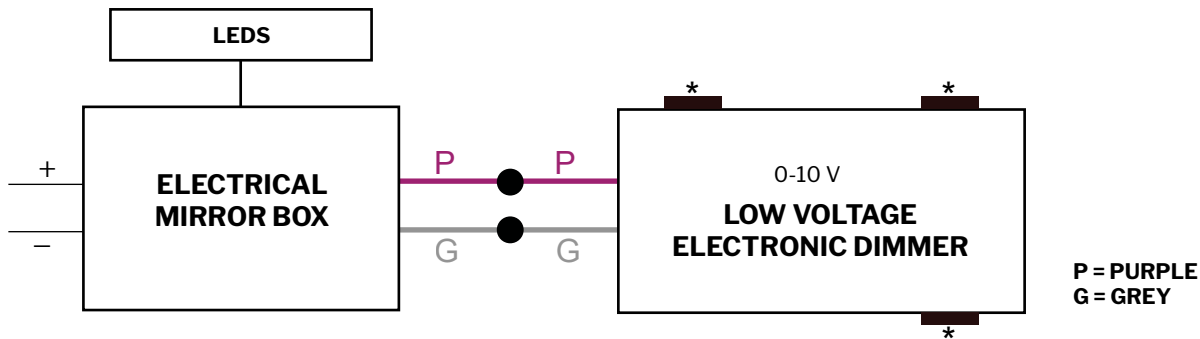


LIGHTED MIRRORS CONNECTION DIAGRAM

MIRROR TO WALL DIMMER



***FOLLOW MANUFACTURER INSTRUCTIONS FOR DIMMER INSTALLATION**

DIMMER SPECIFICATIONS:

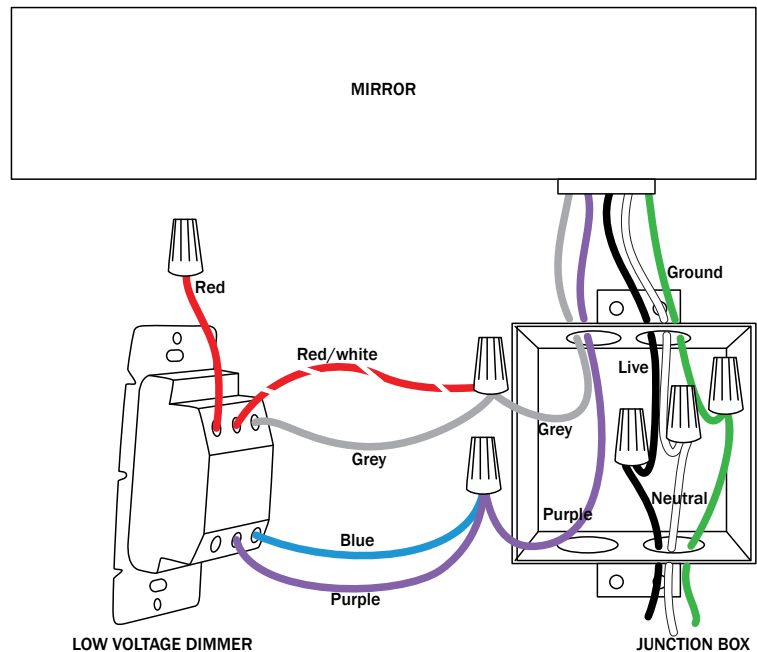
0-10V low voltage electric dimmer for LED lights.

NOTE:

These electric components can be purchased at specialized electrical retailers. All wire extensions must be of low voltage type.

MODELS SUGGESTED:

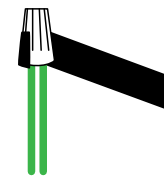
- DIVA DDTV from LUTRON
- IllumaTech IP710 from LEVITON
- DEVINE DF10P from COOPER
- SKYE SF10P COOPER



Wiring diagram for Lutron Diva DDTV Low Voltage Dimmer



Insert wires straight then twist clockwise



Electrical tape