

## WALK-IN SHOWER SHIELDS

1 fixed panel with 1 pivoting panel



## WALK-IN SHOWER PANELS

Single panel



FLEURCO INC. **CANADA** Tel: 1.514.326.2222 | Toll Free: 1.800.993.0033 | Fax: 1.514.326.2008 | [www.fleurco.com](http://www.fleurco.com)

FLEURCO INC. **USA EAST** Tel: 856.778.0110 | Toll Free: 1.888.568.2121 | Fax: 1.888.854.1020

FLEURCO INC. **USA SOUTHEAST** Tel: 239.401.6612 | Toll Free: 1.888.877.6008

FLEURCO INC. **USA MIDWEST** Tel: 630.607.0847 | Toll Free: 1.888.263.3651 | Fax: 331.225.2549

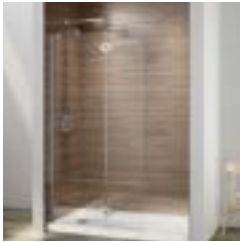
FLEURCO INC. **USA WEST** Tel: 562.368.8800 | Toll Free: 1.877.413.2880 | Fax: 562.368.8812

# WALK-IN SHOWER SHIELDS



## SELECT MONACO SQUARE TOP ..... 4-5

Pivot shower shield with fixed panel  
 Sizes: 24" or 33" fixed panel with 15" moveable panel



## SELECT MONACO ROUND TOP .....6-7

Pivot shower shield with fixed panel  
 Sizes: 24" or 33" fixed panel with 15" moveable panel



## SELECT MONACO SQUARE TOP 2 SIDED..... 8-9

Pivot shower shield with fixed panel and return panel  
 Sizes: 24" or 33" fixed panel with 15" moveable panel



## SELECT MONACO ROUND TOP 2 SIDED.....10-11

Pivot shower shield with fixed panel and return panel  
 Sizes: 24" or 33" fixed panel with 15" moveable panel



## SIENA ..... 12-13

Pivot shower shield with fixed panel  
 Sizes: 25" fixed panel with 15" moveable panel



Glass surface protection



See website for more information

Available finishes

- Chrome
- Brushed Nickel
- Matte Black

Glass type

- Clear

FLEURCO INC. **CANADA** Tel: 1.514.326.2222 | Toll Free: 1.800.993.0033 | Fax: 1.514.326.2008 | [www.fleurco.com](http://www.fleurco.com)

FLEURCO INC. **USA EAST** Tel: 856.778.0110 | Toll Free: 1.888.568.2121 | Fax: 1.888.854.1020

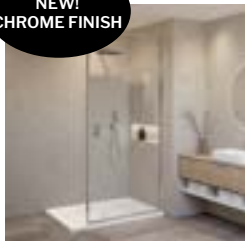
FLEURCO INC. **USA SOUTHEAST** Tel: 239.401.6612 | Toll Free: 1.888.877.6008

FLEURCO INC. **USA MIDWEST** Tel: 630.607.0847 | Toll Free: 1.888.263.3651 | Fax: 331.225.2549

FLEURCO INC. **USA WEST** Tel: 562.368.8800 | Toll Free: 1.877.413.2880 | Fax: 562.368.8812

# WALK-IN SHOWER PANELS

NEW!  
CHROME FINISH



## VESPERO .....14-15

Fixed shower panel  
Sizes: 33, 39, 45

M SEKUR<sup>+</sup> ● ● ● SG C F



## \*STATION PLUS .....26-27

Fixed shower panel  
Sizes: 29, 33, 39, 45

M ● ● ● ● C



## LATITUDE .....16-19

Fixed shower panel  
Sizes: 28, 32, 38, 44

M SEKUR<sup>+</sup> ● C



## \*STATION PLUS 2 SIDED .....28-29

Fixed shower panels  
Sizes: 29, 33, 39, 45

M ● ● ● ● C



## ELERA .....20-21

Fixed shower panel  
Sizes: 28, 32, 38, 44

M SEKUR<sup>+</sup> ● ● ● C



## \*STATION .....30-31

Fixed shower panel  
Sizes: 30, 34

M ● ● ● ● C



## ELERA 2 SIDED .....22-23

Fixed shower panels  
Sizes: 28, 32, 38, 44

M SEKUR<sup>+</sup> ● ● ● C



## \*SIENA SOLO .....32-33

Pivot shower panel  
Size: 34

M ● ● ● ● C



## ELERA CORNER .....24-25

Fixed shower panels  
Sizes: 28, 32, 38, 44

M SEKUR<sup>+</sup> ● ● ● C

M Glass surface protection



See website for more information

SEKUR<sup>+</sup> Safety protection



See information page at the end of the section

Available finishes

- Chrome
- Brushed Nickel
- Matte Black
- Brushed Gold

Glass type

- C Clear
- SG Smoked Grey
- F Fluted

SELECT

# MONACO Square Top

Shower shield with fixed panel without FleurcoSEKUR+ Safety Protection



**3/8" (10 mm) Tempered clear glass**

**79" Height (80 1/2" to top of "X" support bar, 86 3/16" to top of "V" support bar)**

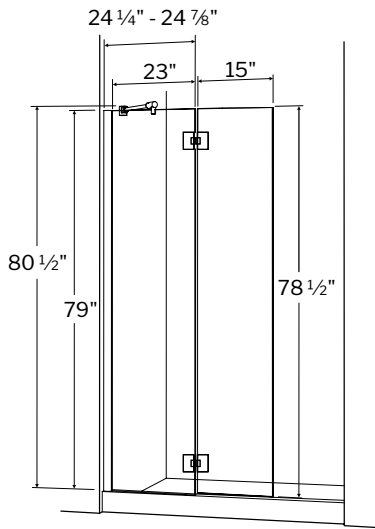
## SHOWER SHIELD

39 7/16" to 40 1/16" W

MODEL	FINISH	PRICE
VMSXS24-11-40-79	Chrome	<b>\$1,597</b>
VMSXS24-25-40-79	Brushed Nickel	<b>\$1,637</b>
VMSXS24-33-40-79	Matte Black	<b>\$1,662</b>

These units are universal, left and right.

For suggested shower bases, visit [www.fleurco.com](http://www.fleurco.com)



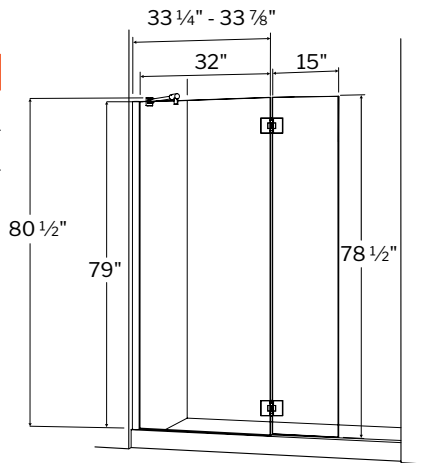
## SHOWER SHIELD

48 7/16" to 49 1/16" W

MODEL	FINISH	PRICE
VMSXS33-11-40-79	Chrome	<b>\$1,754</b>
VMSXS33-33-40-79	Matte Black	<b>\$1,810</b>

These units are universal, left and right.

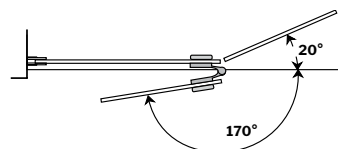
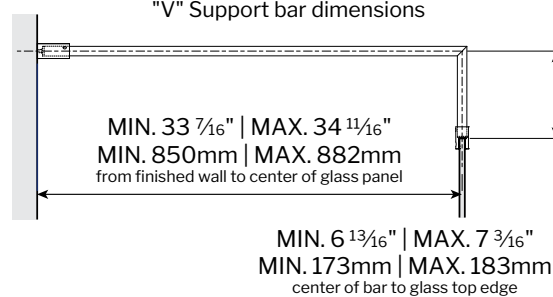
For suggested shower bases, visit [www.fleurco.com](http://www.fleurco.com)



"V" support bar (sold separately)

MODEL	FINISH	PRICE
EVBAR11-01	Chrome	<b>\$275</b>
EVBAR25-01	Brushed Nickel	<b>\$317</b>
EVBAR33-01	Matte Black	<b>\$275</b>

"V" Support bar dimensions





Support Bar System - "V"



SELECT

## MONACO Square Top

Walk-in shower shield with fixed panel

**10**  
year limited  
warranty

European style walk-in shower shield

Available with "X" support bar

Rectangular glass-to-glass hinges

Reversible left or right installation

3/8" (10mm) clear tempered glass

Shower shield height: 79" (80 1/2" to top of the "X" support bar and 86 3/16" to top of the "V" support bar)

Chrome, Brushed Nickel & Matte Black finishes\*

Custom sizes available

\*Options vary by dimension. See page 4 for more information.



SELECT

# MONACO Round Top

Shower shield with fixed panel without FleurcoSEKUR+ Safety Protection

**3/8" (10 mm) Tempered clear glass**

**79" Height (80 1/2" to top of "X" support bar, 86 3/16" to top of "V" support bar)**



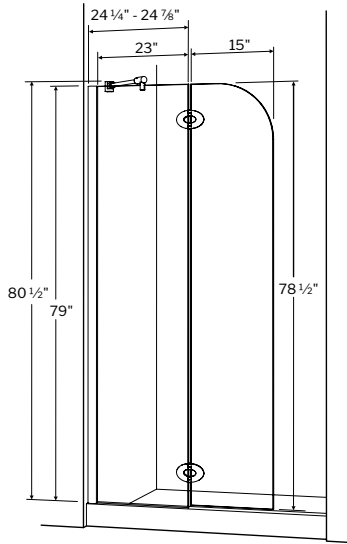
## SHOWER SHIELD

39 7/16" to 40 1/16" W

MODEL	FINISH	PRICE
VQRXS24-11-40-79	Chrome	<b>\$1,597</b>
VQRXS24-25-40-79	Brushed Nickel	<b>\$1,637</b>
VQRXS24-33-40-79	Matte Black	<b>\$1,662</b>

These units are universal, left and right.

For suggested shower bases, visit [www.fleurco.com](http://www.fleurco.com)



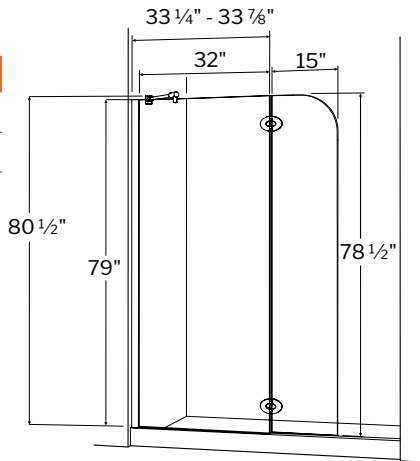
## SHOWER SHIELD

48 7/16" to 49 1/16" W

MODEL	FINISH	PRICE
VQRXS33-11-40-79	Chrome	<b>\$1,754</b>
VQRXS33-33-40-79	Matte Black	<b>\$1,810</b>

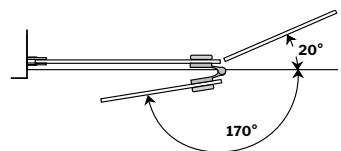
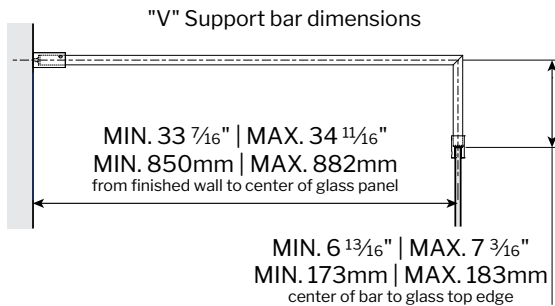
These units are universal, left and right.

For suggested shower bases, visit [www.fleurco.com](http://www.fleurco.com)



"V" support bar (sold separately)

MODEL	FINISH	PRICE
EVBAR11-01	Chrome	<b>\$275</b>
EVBAR25-01	Brushed Nickel	<b>\$317</b>
EVBAR33-01	Matte Black	<b>\$275</b>





Support Bar System - "V"



SELECT

## MONACO Round Top

Walk-in shower shield with fixed panel

**10**  
year limited  
warranty

European style walk-in shower shield

Available with "X" support bar

Oval glass-to-glass hinges

Reversible left or right installation

3/8" (10mm) clear tempered glass

Shower shield height: 79" (80 1/2" to top of the "X" support bar and 86 3/16" to top of the "V" support bar)

Chrome, Brushed Nickel & Matte Black finishes\*

Custom sizes available

\*Options vary by dimension. See page 6 for more information.



SELECT

# MONACO Square Top 2 sided

Shower shield with fixed panel and return panel without FleurcoSEKUR+ Safety Protection

**3/8" (10 mm) Tempered clear glass**

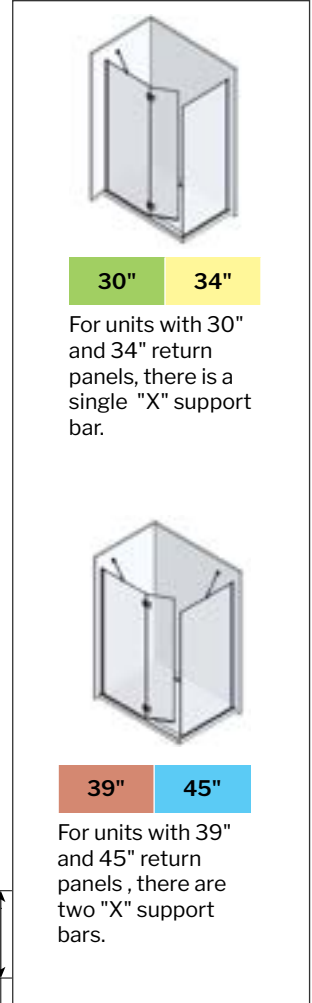
**79" Height (80 1/2" to top of "X" support bar, 86 3/16" to top of "V" support bar)**

RP You must indicate your return panel size **30"**, **34"**, **39"** or **45"** in the "RP" field

## SELECT SQUARE

MODEL	FINISH	PRICE			
		30"	34"	39"	45"
39 7/16" to 40 1/16" W					
VMSXS24 <b>RP</b> __-11-40-79	Chrome	\$2,361	\$2,436	\$2,525	\$2,583
VMSXS24 __-25-40-79	Brushed Nickel	\$2,421	\$2,494	\$2,575	\$2,636
VMSXS24 __-33-40-79	Matte Black	\$2,463	\$2,537	\$2,610	\$2,673
48 7/16" to 49 1/16" W					
VMSXS33 <b>RP</b> __-11-40-79	Chrome	\$2,518	\$2,593	\$2,682	\$2,740
VMSXS33 __-33-40-79	Matte Black	\$2,611	\$2,685	\$2,758	\$2,821

For suggested shower bases, visit [www.fleurco.com](http://www.fleurco.com)

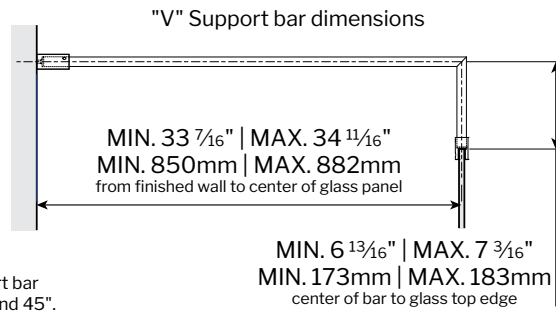


**30" 34"**  
For units with 30" and 34" return panels, there is a single "X" support bar.

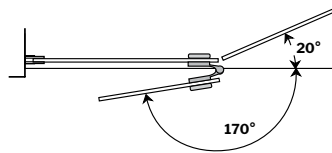
**39" 45"**  
For units with 39" and 45" return panels, there are two "X" support bars.

"V" support bar (sold separately)

MODEL	FINISH	PRICE
EVBAR11-01	Chrome	\$275
EVBAR25-01	Brushed Nickel	\$317
EVBAR33-01	Matte Black	\$275



\*You must indicate on the order which unit the "V" support bar will be added to. Not compatible with return panels 39" and 45".



RETURN PANELS
30" RP = 29 3/4" to 30 3/8" <b>For base with 32" return</b>
34" RP = 33 3/4" to 34 3/8" <b>For base with 36" return</b>
39" RP = 38 3/4" to 39 1/4" <b>For base with 42" return</b>
45" RP = 45 3/8" to 45 7/8" <b>For base with 48" return</b>



SELECT

## MONACO Square Top 2 sided

Shower shield with fixed panel & return panel

**10**  
year limited  
warranty

European style walk-in shower shield

Available with "X" support bar

Rectangular glass-to-glass hinges

Reversible left or right installation

3/8" (10mm) clear tempered glass

Shower shield height: 79" (80 1/2" to top of the "X" support bar and 86 3/16" to top of the "V" support bar)

Chrome, Brushed Nickel & Matte Black finishes\*

Custom sizes available

\*Options vary by dimension. See page 8 for more information.



Glass surface protection

SELECT

# MONACO Round Top 2 sided

Shower shield with fixed panel and return panel without FleurcoSEKUR+ Safety Protection

**3/8" (10 mm) Tempered clear glass**

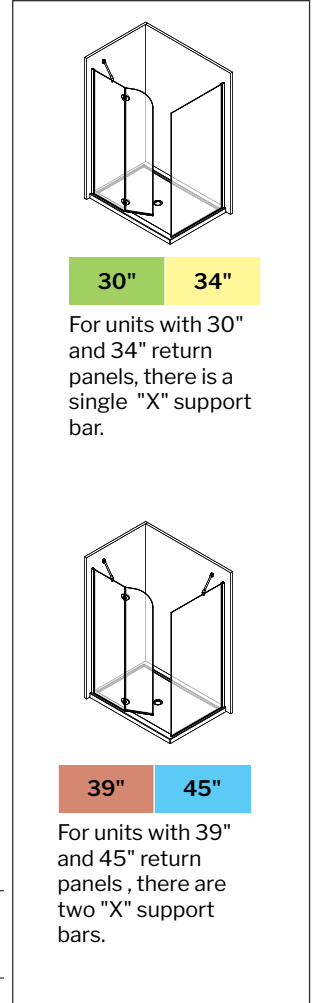
**79" Height (80 1/2" to top of "X" support bar, 86 3/16" to top of "V" support bar)**

RP You must indicate your return panel size **30"**, **34"**, **39"** or **45"** in the "RP" field

## SELECT SQUARE

MODEL	FINISH	PRICE			
		30"	34"	39"	45"
39 7/16" to 40 1/16" W					
VQRXS24 <b>RP</b> __11-40-79	Chrome	\$2,361	\$2,436	\$2,525	\$2,583
VQRXS24 __-25-40-79	Brushed Nickel	\$2,421	\$2,494	\$2,575	\$2,636
VQRXS24 __-33-40-79	Matte Black	\$2,463	\$2,537	\$2,610	\$2,673
48 7/16" to 49 1/16" W					
VQRXS33 <b>RP</b> __11-40-79	Chrome	\$2,518	\$2,593	\$2,682	\$2,740
VQRXS33 __-33-40-79	Matte Black	\$2,611	\$2,685	\$2,758	\$2,821

For suggested shower bases, visit [www.fleurco.com](http://www.fleurco.com)

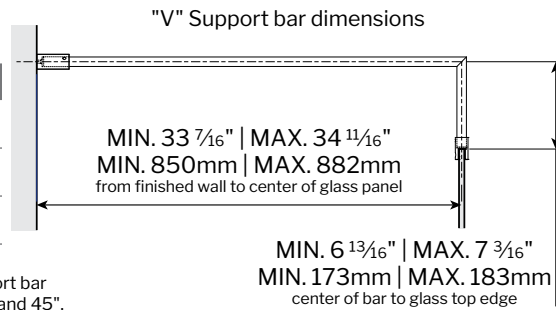


**30" 34"**  
For units with 30" and 34" return panels, there is a single "X" support bar.

**39" 45"**  
For units with 39" and 45" return panels, there are two "X" support bars.

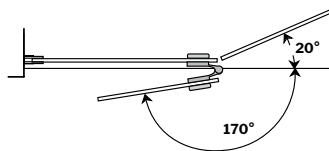
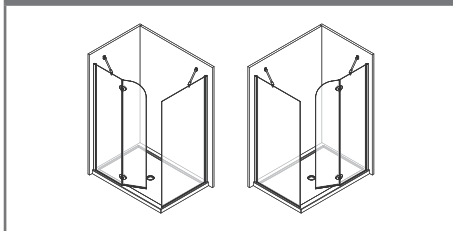
"V" support bar (sold separately)

MODEL	FINISH	PRICE
EVBAR11-01	Chrome	\$275
EVBAR25-01	Brushed Nickel	\$317
EVBAR33-01	Matte Black	\$275



\*You must indicate on the order which unit the "V" support bar will be added to. Not compatible with return panels 39" and 45".

### LEFT OR RIGHT INSTALLATION



### RETURN PANELS

30" RP = 29 3/4" to 30 3/8"  
**For base with 32" return**

34" RP = 33 3/4" to 34 3/8"  
**For base with 36" return**

39" RP = 38 3/4" to 39 1/4"  
**For base with 42" return**

45" RP = 45 3/8" to 45 7/8"  
**For base with 48" return**



SELECT

## MONACO Round Top 2 sided

Shower shield with fixed panel & return panel

# 10

year limited  
warranty

European style walk-in shower shield

Available with "X" support bar

Oval glass-to-glass hinges

Reversible left or right installation

3/8" (10mm) clear tempered glass

Shower shield height: 79" (80 1/2" to top of the "X" support bar and 86 3/16" to top of the "V" support bar)

Chrome, Brushed Nickel & Matte Black finishes\*

Custom sizes available

\*Options vary by dimension. See page 10 for more information.



# SIENA Shower Shield

Pivot shower shield with fixed panel without FleurcoSEKUR+ Safety Protection



**1/4" (6 mm) Tempered clear glass • 75" Height (76 1/2" to top of support bar)**

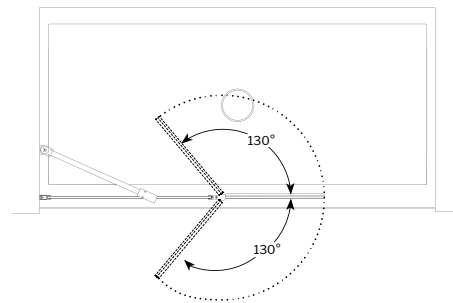
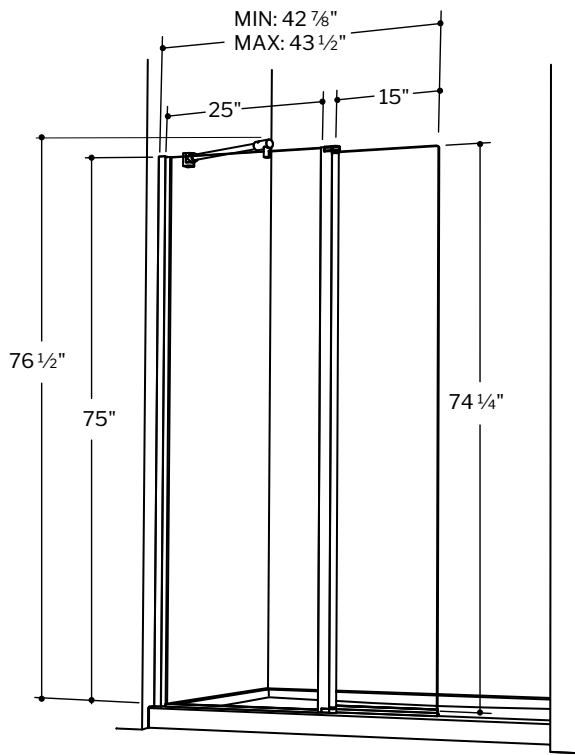
## SHOWER PANEL

Fixed panel 25" W • Moveable panel 15" W  
75" H (76 1/2" to top of support bar)

MODEL	FINISH	PRICE
ESS24-11-40	Chrome	<b>\$1,322</b>
ESS24-25-40	Brushed Nickel	<b>\$1,359</b>
ESS24-33-40	Matte Black	<b>\$1,399</b>

Fits any base 48" and larger.

For suggested shower bases, visit [www.fleurco.com](http://www.fleurco.com)



### ALL DRAINS SOLD SEPARATELY

DRAIN No-Calk™ Shower Base Drain*	ABS No-Calk 2" drain		PVC No-Calk 2" drain	
	Model	Material	Model	Material
	DRAINABS-11	Chrome	DRAINPVC-11	Chrome
	DRAINABS-25	Brushed Nickel	DRAINPVC-25	Brushed Nickel
	DRAINABS-33	Matte Black	DRAINPVC-33	Matte Black
	DRAINABS-12	Brushed Gold	DRAINPVC-12	Brushed Gold
	DRAINABS-11	Chrome		
	DRAINABS-25	Brushed Nickel		

\*Please check local codes to ensure appropriate drain specifications  
For AU (Aurora) bases, please see specialty section in the bases booklet



## SIENA Walk-in Shower Shield

Pivot shower shield with fixed panel

**10**  
year limited  
warranty

European water deflection system  
 130° outward and 130° inward opening  
 Reversible left or right side installation  
 1/4" (6mm) clear tempered glass  
 Shower shield height: 75" (76 1/2" to top of support bar)  
 Chrome, Brushed Nickel & Matte Black finishes

 **Microtek**<sup>®</sup>  
 FLEURCO  
 Glass surface protection

# VESPERO Shower Panel

Fixed panel



Glass surface protection



**1/4" (6 mm) Tempered glass**

**79" Height (79 1/4" to top of support bar)**

**86" Height (86 1/4" to top of support bar)**

## SHOWER PANEL 33

32 7/16" to 32 3/4" W

MODEL	FINISH	HEIGHT	GLASS	PRICE
VSP33-11-40-79	Chrome <b>NEW!</b>	79"	Clear	<b>\$890</b>
VSP33-33-40-79	Matte Black	79"	Clear	<b>\$933</b>
VSP33-12-40-79	Brushed Gold	79"	Clear	<b>\$1,141</b>
VSP33-11-40-86	Chrome <b>NEW!</b>	86"	Clear	<b>\$920</b>
VSP33-33-40-86	Matte Black	86"	Clear	<b>\$964</b>
VSP33-12-40-86	Brushed Gold	86"	Clear	<b>\$1,171</b>
VSP33-33-30-79	Matte Black	79"	Smoked Grey	<b>\$950</b>
VSP33-12-30-79	Brushed Gold	79"	Smoked Grey	<b>\$1,161</b>
VSP33-33-30-86	Matte Black	86"	Smoked Grey	<b>\$979</b>
VSP33-12-30-86	Brushed Gold	86"	Smoked Grey	<b>\$1,192</b>
VSP33-11-55-79	Chrome <b>NEW!</b>	79"	Fluted	<b>\$957</b>
VSP33-33-55-79	Matte Black	79"	Fluted	<b>\$1,002</b>
VSP33-12-55-79	Brushed Gold	79"	Fluted	<b>\$1,210</b>
VSP33-11-55-86	Chrome <b>NEW!</b>	86"	Fluted	<b>\$987</b>
VSP33-33-55-86	Matte Black	86"	Fluted	<b>\$1,033</b>
VSP33-12-55-86	Brushed Gold	86"	Fluted	<b>\$1,240</b>

For suggested shower bases, visit [www.fleurco.com](http://www.fleurco.com).

## SHOWER PANEL 39

38 7/16" to 38 3/4" W

MODEL	FINISH	HEIGHT	GLASS	PRICE
VSP39-11-40-79	Chrome <b>NEW!</b>	79"	Clear	<b>\$958</b>
VSP39-33-40-79	Matte Black	79"	Clear	<b>\$1,003</b>
VSP39-12-40-79	Brushed Gold	79"	Clear	<b>\$1,220</b>
VSP39-11-40-86	Chrome <b>NEW!</b>	86"	Clear	<b>\$979</b>
VSP39-33-40-86	Matte Black	86"	Clear	<b>\$1,024</b>
VSP39-12-40-86	Brushed Gold	86"	Clear	<b>\$1,242</b>
VSP39-33-30-79	Matte Black	79"	Smoked Grey	<b>\$1,017</b>
VSP39-12-30-79	Brushed Gold	79"	Smoked Grey	<b>\$1,241</b>
VSP39-33-30-86	Matte Black	86"	Smoked Grey	<b>\$1,041</b>
VSP39-12-30-86	Brushed Gold	86"	Smoked Grey	<b>\$1,262</b>
VSP39-11-55-79	Chrome <b>NEW!</b>	79"	Fluted	<b>\$1,025</b>
VSP39-33-55-79	Matte Black	79"	Fluted	<b>\$1,072</b>
VSP39-12-55-79	Brushed Gold	79"	Fluted	<b>\$1,289</b>
VSP39-11-55-86	Chrome <b>NEW!</b>	86"	Fluted	<b>\$1,046</b>
VSP39-33-55-86	Matte Black	86"	Fluted	<b>\$1,093</b>
VSP39-12-55-86	Brushed Gold	86"	Fluted	<b>\$1,310</b>

For suggested shower bases, visit [www.fleurco.com](http://www.fleurco.com).

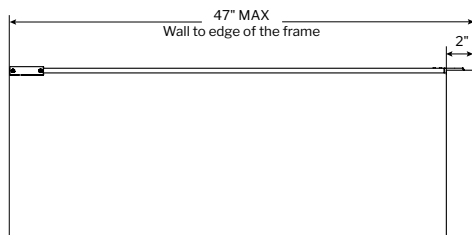
## SHOWER PANEL 45

44 7/16" to 44 3/4" W

MODEL	FINISH	HEIGHT	GLASS	PRICE
VSP45-11-40-79	Chrome <b>NEW!</b>	79"	Clear	<b>\$1,026</b>
VSP45-33-40-79	Matte Black	79"	Clear	<b>\$1,073</b>
VSP45-12-40-79	Brushed Gold	79"	Clear	<b>\$1,301</b>
VSP45-11-40-86	Chrome <b>NEW!</b>	86"	Clear	<b>\$1,048</b>
VSP45-33-40-86	Matte Black	86"	Clear	<b>\$1,095</b>
VSP45-12-40-86	Brushed Gold	86"	Clear	<b>\$1,323</b>
VSP45-33-30-79	Matte Black	79"	Smoked Grey	<b>\$1,088</b>
VSP45-12-30-79	Brushed Gold	79"	Smoked Grey	<b>\$1,321</b>
VSP45-33-30-86	Matte Black	86"	Smoked Grey	<b>\$1,110</b>
VSP45-12-30-86	Brushed Gold	86"	Smoked Grey	<b>\$1,343</b>
VSP45-11-55-79	Chrome <b>NEW!</b>	79"	Fluted	<b>\$1,092</b>
VSP45-33-55-79	Matte Black	79"	Fluted	<b>\$1,140</b>
VSP45-12-55-79	Brushed Gold	79"	Fluted	<b>\$1,369</b>
VSP45-11-55-86	Chrome <b>NEW!</b>	86"	Fluted	<b>\$1,114</b>
VSP45-33-55-86	Matte Black	86"	Fluted	<b>\$1,163</b>
VSP45-12-55-86	Brushed Gold	86"	Fluted	<b>\$1,390</b>

For suggested shower bases, visit [www.fleurco.com](http://www.fleurco.com).

Support bar dimensions



NEW!  
CHROME FINISH



VSP39-33-55-86

VSP39-11-40-86

# VESPERO

Fixed shower panel

**10**  
year limited  
warranty

Ultra modern European design

Easy installation

Hidden anchoring system

1/4" (6mm) clear, smoked grey or fluted glass

Shower panel heights: 79" (79 1/4" to top of support bar) & 86" (86 1/4" to top of support bar)

Chrome, Matte Black & Brushed Gold finishes\*

\*Options vary by glass type. See page 14 for more information.



SAFETY PROTECTION \*  
\*5 year limited warranty



Glass surface protection



LAV3232-33-43-79

Fixed panel

**5/16" (8 mm) Tempered clear glass**  
**79" Height (80" to top of support bar bracket)**



## SINGLE THRESHOLD

DIMENSION	MODEL	FINISH	PRICE
<p>48" x 36" base</p>	LAV28-33-43-79	Matte Black	<b>\$1,047</b>
<p>60" x 36" base</p>	LAV32-33-43-79	Matte Black	<b>\$1,111</b>
<p>48" x 36" base</p>	LAV38-33-43-79	Matte Black	<b>\$1,171</b>
<p>60" x 36" base</p>			
<p>48" x 36" base</p>	LAV44-33-43-79	Matte Black	<b>\$1,277</b>
<p>60" x 36" base</p>			
<p>72" x 36" base</p>			

For suggested shower bases, visit [www.fleurco.com](http://www.fleurco.com)

Fixed panel

**5/16" (8 mm) Tempered clear glass**  
**79" Height (80" to top of support bar bracket)**



## 2 SIDED

DIMENSION	MODEL	FINISH	PRICE
<p>60" x 32" base</p>	LAV3228-33-43-79	Matte Black	<b>\$2,156</b>
<p>60" x 36" base</p>	LAV3232-33-43-79	Matte Black	<b>\$2,222</b>
<p>72" x 36" base</p>	LAV4432-33-43-79	Matte Black	<b>\$2,387</b>

For suggested shower bases, visit [www.fleurco.com](http://www.fleurco.com)

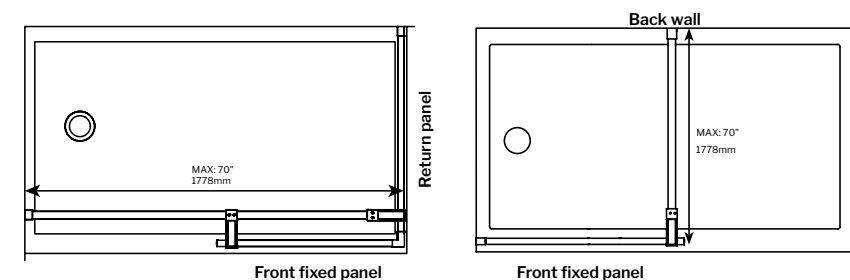
More size options available. See website for more information.

## CORNER

DIMENSION	MODEL	FINISH	PRICE
<p>48" x 36" base</p>	LAV3832C-33-43-79	Matte Black	<b>\$2,285</b>
<p>60" x 36" base</p>	LAV4432C-33-43-79	Matte Black	<b>\$2,387</b>

For suggested shower bases, visit [www.fleurco.com](http://www.fleurco.com)

More size options available. See website for more information.



Support bar can be installed from wall to return panel, or from back wall to front fixed panel, up to a maximum of 70" length. For installation manual, see [www.fleurco.com](http://www.fleurco.com)



WALK-IN SHOWER PANELS

LATITUDE

WALK-IN SHOWER PANELS

ELERA

LAV44-33-4-3-79

**LATITUDE** Walk-in Shower Panel  
Fixed panel

**10**  
year limited warranty

Silk screen design - high style, low maintenance  
Available in single panel, 2 sided & corner  
5/16" (8mm) clear tempered glass  
Shower panel height: 79" (80" to top of support bar bracket)  
Matte Black finish

# ELERA

Fixed shower panel

**5/16" (8 mm) Tempered clear glass**  
**79" Height (80" to top of support bar)**

## SHOWER PANEL 28

28 3/4" to 29 3/8" W

MODEL	FINISH	PRICE
ELEV28-11-40-79	Chrome	<b>\$1,091</b>
ELEV28-25-40-79	Brushed Nickel	<b>\$1,126</b>
ELEV28-33-40-79	Matte Black	<b>\$1,138</b>

For suggested shower bases, visit [www.fleurco.com](http://www.fleurco.com)

## SHOWER PANEL 32

32 3/4" to 33 3/8" W

MODEL	FINISH	PRICE
ELEV32-11-40-79	Chrome	<b>\$1,143</b>
ELEV32-25-40-79	Brushed Nickel	<b>\$1,179</b>
ELEV32-33-40-79	Matte Black	<b>\$1,190</b>

For suggested shower bases, visit [www.fleurco.com](http://www.fleurco.com)

## SHOWER PANEL 38

38 3/4" to 39 3/8" W

MODEL	FINISH	PRICE
ELEV38-11-40-79	Chrome	<b>\$1,216</b>
ELEV38-25-40-79	Brushed Nickel	<b>\$1,253</b>
ELEV38-33-40-79	Matte Black	<b>\$1,265</b>

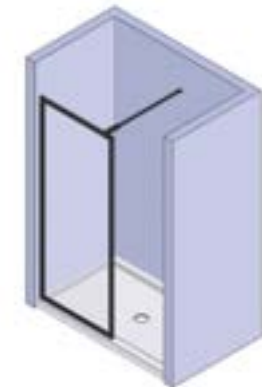
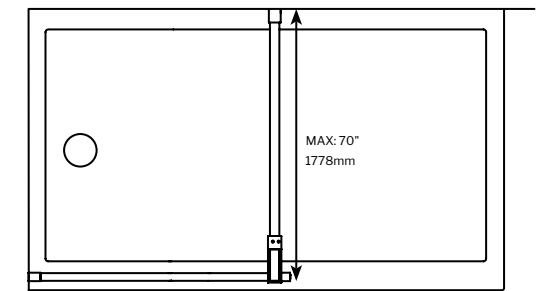
For suggested shower bases, visit [www.fleurco.com](http://www.fleurco.com)

## SHOWER PANEL 44

44 3/4" to 45 3/8" W

MODEL	FINISH	PRICE
ELEV44-11-40-79	Chrome	<b>\$1,289</b>
ELEV44-25-40-79	Brushed Nickel	<b>\$1,325</b>
ELEV44-33-40-79	Matte Black	<b>\$1,337</b>

For suggested shower bases, visit [www.fleurco.com](http://www.fleurco.com)





# ELERA

Fixed shower panel

**10**  
year limited  
warranty

- Left or right installation
- 5/16" (8mm) clear tempered glass
- Shower shield height: 79" (80" to top of support bar)
- Chrome, Brushed Nickel & Matte Black finishes

 **FLEURCO™SEKUR<sup>+</sup>**

SAFETY PROTECTION \*  
\*5 year limited warranty

 **Microtek<sup>®</sup>**  
FLEURCO

Glass surface protection

# ELERA 2 sided

Fixed shower panel with return panel

**5/16" (8 mm) Tempered clear glass**  
**79" Height (80" to top of support bar)**

**RP** You must indicate your return panel size **28"**, **32"**, **38"** or **44"** in the "RP" field

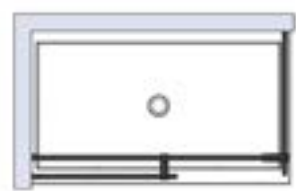


Glass surface protection



## 2 SIDED SHOWER PANEL

MODEL	FINISH	RETURN PANEL			
		28"	32"	38"	44"
28 3/4" to 29 3/8" W (for 48" base) Approx. entry: 16 3/4" *					
ELEV28 <sup>RP</sup> __-11-40-79	Chrome	\$2,024	\$2,077	\$2,150	\$2,223
ELEV28 __-25-40-79	Brushed Nickel	\$2,094	\$2,147	\$2,222	\$2,295
ELEV28 __-33-40-79	Matte Black	\$2,119	\$2,172	\$2,246	\$2,319
32 3/4" to 33 3/8" W (for 54" base) Approx. entry: 18 3/4"					
ELEV32 <sup>RP</sup> __-11-40-79	Chrome	\$2,077	\$2,129	\$2,203	\$2,276
ELEV32 __-25-40-79	Brushed Nickel	\$2,149	\$2,201	\$2,274	\$2,346
ELEV32 __-33-40-79	Matte Black	\$2,172	\$2,224	\$2,298	\$2,372
38 3/4" to 39 3/8" W (for 60" base) Approx. entry: 18 3/4"					
ELEV38 <sup>RP</sup> __-11-40-79	Chrome	\$2,151	\$2,203	\$2,277	\$2,349
ELEV38 __-25-40-79	Brushed Nickel	\$2,222	\$2,274	\$2,346	\$2,421
ELEV38 __-33-40-79	Matte Black	\$2,246	\$2,298	\$2,372	\$2,445
44 3/4" to 45 3/8" W (for 72" base) Approx. entry: 24 3/4"					
ELEV44 <sup>RP</sup> __-11-40-79	Chrome	\$2,223	\$2,276	\$2,349	\$2,421
ELEV44 __-25-40-79	Brushed Nickel	\$2,295	\$2,346	\$2,421	\$2,493
ELEV44 __-33-40-79	Matte Black	\$2,319	\$2,372	\$2,445	\$2,517



Max. 70" (1778mm)

**\*ATTENTION:** The entrance opening is smaller than standard  
 For suggested shower bases, visit [www.fleurco.com](http://www.fleurco.com)

### ALL DRAINS SOLD SEPARATELY

	DRAINABS-11	ABS No-Calk 2" drain	Chrome	\$62
	DRAINABS-25	ABS No-Calk 2" drain	Brushed Nickel	\$81
	DRAINABS-33	ABS No-Calk 2" drain	Matte Black	\$116
	DRAINABS-12	ABS No-Calk 2" drain	Brushed Gold	\$218
	DRAINPVC-11	PVC No-Calk 2" drain	Chrome	\$62
	DRAINPVC-25	PVC No-Calk 2" drain	Brushed Nickel	\$81
	DRAINPVC-33	PVC No-Calk 2" drain	Matte Black	\$90
	DRAINPVC-12	PVC No-Calk 2" drain	Brushed Gold	\$218

\*Please check local codes to ensure appropriate drain specifications  
 For AU (Aurora) bases, please see specialty section in the bases booklet



RETURN PANELS
28" RP = 28 3/4" to 29 3/8" <b>For base with 32" return</b>
32" RP = 32 3/4" to 33 3/8" <b>For base with 36" return</b>
38" RP = 38 3/4" to 39 3/8" <b>For base with 42" return</b>
44" RP = 44 3/4" to 45 3/8" <b>For base with 48" return</b>



# ELERA 2 sided

Fixed shower panel with return panel

**10**  
year limited  
warranty

- Left or right installation
- 5/16" (8mm) clear tempered glass
- Shower shield height: 79" (80" to top of the "X" support bar)
- Chrome, Brushed Nickel & Matte Black finishes

 **FLEURCO™SEKUR<sup>+</sup>**  
SAFETY PROTECTION \*  
\*5 year limited warranty

 **Microtek®**  
FLEURCO  
Glass surface protection

# ELERA corner

Fixed shower panel with return panel

**5/16" (8 mm) Tempered clear glass**  
**79" Height (80" to top of support bar)**

**RP** You must indicate your return panel size **28"**, **32"**, **38"** or **44"** in the "RP" field



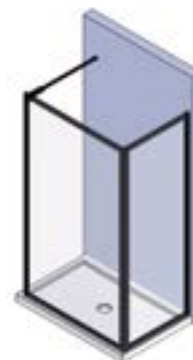
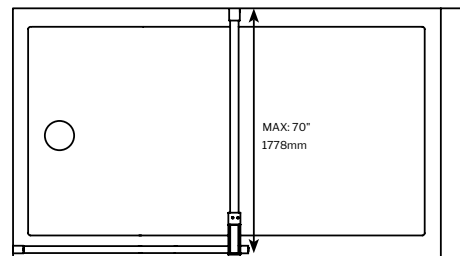
Glass surface protection



## CORNER SHOWER PANEL

MODEL	FINISH	RETURN PANEL			
		28"	32"	38"	44"
<b>28 3/4" to 29 3/8" W</b>					
ELEV28 <sub>RP</sub> C-11-40-79	Chrome	\$1,888	\$1,940	\$2,014	\$2,087
ELEV28__C-25-40-79	Brushed Nickel	\$1,949	\$2,003	\$2,077	\$2,148
ELEV28__C-33-40-79	Matte Black	\$1,960	\$2,014	\$2,088	\$2,161
<b>32 3/4" to 33 3/8" W</b>					
ELEV32 <sub>RP</sub> C-11-40-79	Chrome	\$1,952	\$1,993	\$2,065	\$2,139
ELEV32__C-25-40-79	Brushed Nickel	\$2,019	\$2,055	\$2,129	\$2,176
ELEV32__C-33-40-79	Matte Black	\$2,042	\$2,065	\$2,141	\$2,213
<b>38 3/4" to 39 3/8" W</b>					
ELEV38 <sub>RP</sub> C-11-40-79	Chrome	\$2,015	\$2,065	\$2,140	\$2,213
ELEV38__C-25-40-79	Brushed Nickel	\$2,077	\$2,129	\$2,202	\$2,276
ELEV38__C-33-40-79	Matte Black	\$2,088	\$2,140	\$2,213	\$2,288
<b>44 3/4" to 45 3/8" W</b>					
ELEV44 <sub>RP</sub> C-11-40-79	Chrome	\$2,087	\$2,139	\$2,208	\$2,285
ELEV44__C-25-40-79	Brushed Nickel	\$2,150	\$2,202	\$2,276	\$2,346
ELEV44__C-33-40-79	Matte Black	\$2,161	\$2,213	\$2,298	\$2,359

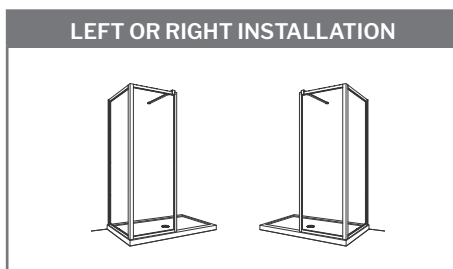
For suggested shower bases, visit [www.fleurco.com](http://www.fleurco.com)



### ALL DRAINS SOLD SEPARATELY

	DRAINABS-11	ABS No-Calk 2" drain	Chrome	\$62
	DRAINABS-25	ABS No-Calk 2" drain	Brushed Nickel	\$81
	DRAINABS-33	ABS No-Calk 2" drain	Matte Black	\$116
	DRAINABS-12	ABS No-Calk 2" drain	Brushed Gold	\$218
	DRAINPVC-11	PVC No-Calk 2" drain	Chrome	\$62
	DRAINPVC-25	PVC No-Calk 2" drain	Brushed Nickel	\$81
	DRAINPVC-33	PVC No-Calk 2" drain	Matte Black	\$90
	DRAINPVC-12	PVC No-Calk 2" drain	Brushed Gold	\$218

\*Please check local codes to ensure appropriate drain specifications  
 For AU (Aurora) bases, please see specialty section in the bases booklet



RETURN PANELS
28" RP = 28 3/4" to 29 3/8" <b>For base with 32" return</b>
32" RP = 32 3/4" to 33 3/8" <b>For base with 36" return</b>
38" RP = 38 3/4" to 39 3/8" <b>For base with 42" return</b>
44" RP = 44 3/4" to 45 3/8" <b>For base with 48" return</b>



# ELERA<sub>corner</sub>

Fixed shower panel with return panel

**10**  
year limited warranty

 **FLEURCO™SEKUR<sup>+</sup>**  
SAFETY PROTECTION \*  
\*5 year limited warranty

 **Microtek<sup>®</sup>**  
FLEURCO  
Glass surface protection

- Left or right installation
- 5/16" (8mm) clear tempered glass
- Shower shield height: 79" (80" to top of the "X" support bar)
- Chrome, Brushed Nickel & Matte Black finishes

# STATION<sub>PLUS</sub>

Fixed panel without FleurcoSEKUR+ Safety Protection



**3/8" (10 mm) Tempered clear glass • 79" Height (80 1/2" to top of support bar)**

## SHOWER PANEL 29

29 3/8" to 29 7/8" W x 79" H (80 1/2" to top of support bar)

MODEL	FINISH	PRICE
VLS29-11-40-79	Chrome	<b>\$816</b>
VLS29-25-40-79	Brushed Nickel	<b>\$827</b>
VLS29-33-40-79	Matte Black	<b>\$838</b>
VLS29-12-40-79	Brushed Gold	<b>\$970</b>

For suggested shower bases, visit [www.fleurco.com](http://www.fleurco.com)

## SHOWER PANEL 33

32 3/4" to 33 1/4" W x 79" H (80 1/2" to top of support bar)

MODEL	FINISH	PRICE
VLS33-11-40-79	Chrome	<b>\$866</b>
VLS33-25-40-79	Brushed Nickel	<b>\$873</b>
VLS33-33-40-79	Matte Black	<b>\$884</b>
VLS33-12-40-79	Brushed Gold	<b>\$982</b>

For suggested shower bases, visit [www.fleurco.com](http://www.fleurco.com)

## SHOWER PANEL 39

38 3/4" to 39 1/4" W x 79" H (80 1/2" to top of support bar)

MODEL	FINISH	PRICE
VLS39-11-40-79	Chrome	<b>\$928</b>
VLS39-25-40-79	Brushed Nickel	<b>\$938</b>
VLS39-33-40-79	Matte Black	<b>\$948</b>
VLS39-12-40-79	Brushed Gold	<b>\$995</b>

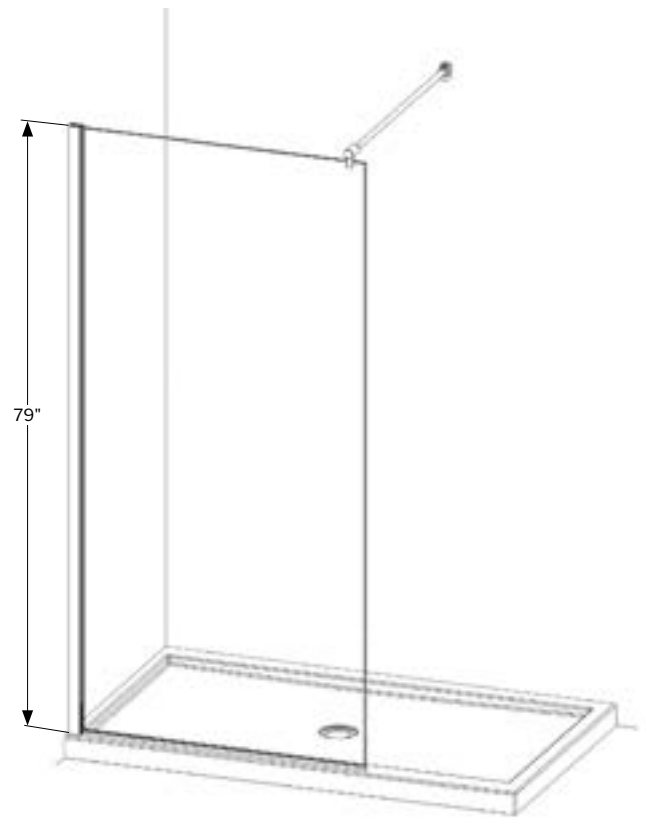
For suggested shower bases, visit [www.fleurco.com](http://www.fleurco.com)

## SHOWER PANEL 45

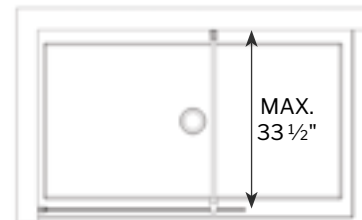
45 3/8" to 45 7/8" W x 79" H (80 1/2" to top of support bar)

MODEL	FINISH	PRICE
VLS45-11-40-79	Chrome	<b>\$986</b>
VLS45-25-40-79	Brushed Nickel	<b>\$999</b>
VLS45-33-40-79	Matte Black	<b>\$1,011</b>
VLS45-12-40-79	Brushed Gold	<b>\$1,028</b>

For suggested shower bases, visit [www.fleurco.com](http://www.fleurco.com)



Support bar installation from back wall to fixed panel



Support bar installation from side wall to fixed panel



### ALL DRAINS SOLD SEPARATELY

MODEL	FINISH	PRICE
VLS45-11-40-79	Chrome	<b>\$986</b>
VLS45-25-40-79	Brushed Nickel	<b>\$999</b>
VLS45-33-40-79	Matte Black	<b>\$1,011</b>
VLS45-12-40-79	Brushed Gold	<b>\$1,028</b>

\*Please check local codes to ensure appropriate drain specifications  
For AU (Aurora) bases, please see specialty section in the bases booklet



# STATION PLUS Walk-in Shower

Fixed panel

**10**  
year limited  
warranty

- Fixed shower panel
- Left or right configuration
- PV support bar (maximum 33 1/2" from back wall)
- Dual installation of support bar
- 3/8" (10mm) clear tempered glass
- Shower panel height: 79" (80 1/2" to top of support bar)
- Chrome, Brushed Nickel, Matte Black & Brushed Gold finishes



# STATION PLUS 2 Sided

Fixed shower panel with return panel without FleurcoSEKUR+ Safety Protection

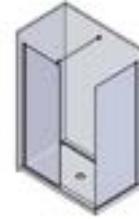


## 3/8" (10 mm) Tempered clear glass • 79" Height (80 1/2" to top of "X" support bar)

RP You must indicate your return panel size **30"**, **34"**, **39"** or **45"** in the "RP" field

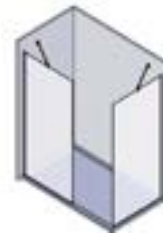
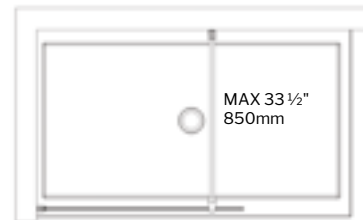
### 2 SIDED SHOWER PANEL

MODEL	FINISH	RETURN PANEL			
		30"	34"	39"	45"
29 3/8" to 29 7/8" W					
VLS29 <b>RP</b> -11-40-79	Chrome	\$1,532	\$1,588	\$1,813	\$1,882
VLS29 __ -25-40-79	Brushed Nickel	\$1,564	\$1,618	\$1,851	\$1,921
VLS29 __ -33-40-79	Matte Black	\$1,564	\$1,618	\$1,850	\$1,921
VLS29 __ -12-40-79	Brushed Gold	\$1,821	\$1,859	\$2,280	\$2,357
32 3/4" to 33 1/4" W					
VLS33 <b>RP</b> -11-40-79	Chrome	\$1,568	\$1,624	\$1,848	\$1,918
VLS33 __ -25-40-79	Brushed Nickel	\$1,600	\$1,654	\$1,886	\$1,956
VLS33 __ -33-40-79	Matte Black	\$1,600	\$1,654	\$1,886	\$1,956
VLS33 __ -12-40-79	Brushed Gold	\$1,857	\$1,894	\$2,315	\$2,391
38 3/4" to 39 1/4" W					
VLS39 <b>RP</b> -11-40-79	Chrome	\$1,640	\$1,696	\$1,920	\$1,990
VLS39 __ -25-40-79	Brushed Nickel	\$1,671	\$1,726	\$1,957	\$2,027
VLS39 __ -33-40-79	Matte Black	\$1,671	\$1,726	\$1,957	\$2,027
VLS39 __ -12-40-79	Brushed Gold	\$2,019	\$2,057	\$2,478	\$2,554
45 3/8" to 45 7/8" W					
VLS45 <b>RP</b> -11-40-79	Chrome	\$1,710	\$1,766	\$1,990	\$2,060
VLS45 __ -25-40-79	Brushed Nickel	\$1,743	\$1,797	\$2,027	\$2,097
VLS45 __ -33-40-79	Matte Black	\$1,743	\$1,797	\$2,027	\$2,097
VLS45 __ -12-40-79	Brushed Gold	\$2,097	\$2,134	\$2,554	\$2,630



**30"**   **34"**

For units with 30" and 34" return panel, there is a single "X" support bar.

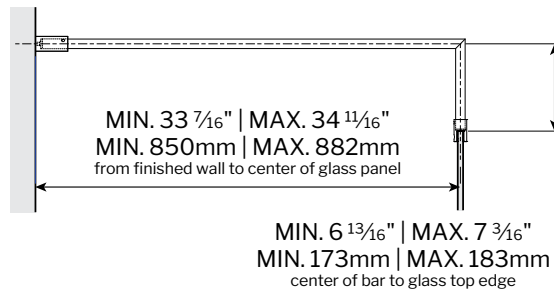


**39"**   **45"**

For units with 39" and 45" return panel, there are two "X" support bars.

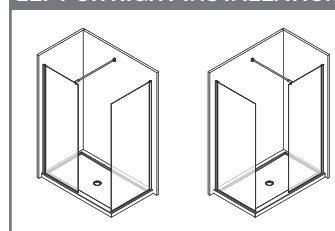
"V" support bar (sold separately)

MODEL	FINISH	PRICE
EVBAR11-01	Chrome	\$275
EVBAR25-01	Brushed Nickel	\$317
EVBAR33-01	Matte Black	\$275
EVBAR12-01	Brushed Gold	\$275



\*You must indicate on the order which unit the "V" support bar will be added to. Not compatible with return panels 39" and 45".

#### LEFT OR RIGHT INSTALLATION



RETURN PANELS
30" RP = 29 3/4" to 30 3/8" <b>For base with 32" return</b>
34" RP = 33 3/4" to 34 3/8" <b>For base with 36" return</b>
39" RP = 38 3/4" to 39 1/4" <b>For base with 42" return</b>
45" RP = 45 3/8" to 45 7/8" <b>For base with 48" return</b>



# STATION *PLUS* 2 sided

Fixed shower panel with return panel

**10**  
year limited  
warranty

- All units are equipped with an "X" bar to support the front panel
- Angle or cross support bar installation (maximum 33")
- 39" and 45" units include 2 support bars
- Left or right installation
- 3/8" (10 mm) clear tempered glass
- Shower shield height: 79" (80 1/2" to top of the support bar)
- Chrome, Brushed Nickel, Matte Black & Brushed Gold finishes



# STATION Shower Panel

Fixed panel without FleurcoSEKUR+ Safety Protection



**3/8" (10 mm) Tempered clear glass • 79" Height**

## SHOWER PANEL 30

29 3/4" to 30 3/8" W x 79" H

MODEL	FINISH	PRICE
VSXS30-11-40-79	Chrome	<b>\$764</b>
VSXS30-25-40-79	Brushed Nickel	<b>\$785</b>
VSXS30-33-40-79	Matte Black	<b>\$801</b>
VSXS30-12-40-79	Brushed Gold	<b>\$917</b>

For suggested shower bases, visit [www.fleurco.com](http://www.fleurco.com)

## SHOWER PANEL 34

33 3/4" to 34 3/8" W x 79" H

MODEL	FINISH	PRICE
VSXS34-11-40-79	Chrome	<b>\$840</b>
VSXS34-25-40-79	Brushed Nickel	<b>\$857</b>
VSXS34-33-40-79	Matte Black	<b>\$876</b>
VSXS34-12-40-79	Brushed Gold	<b>\$1,007</b>

For suggested shower bases, visit [www.fleurco.com](http://www.fleurco.com)

### ALL DRAINS SOLD SEPARATELY

DRAIN No-Calk™ Shower Base Drain*		ABS No-Calk 2" drain		PVC No-Calk 2" drain			
		Model	Price	Model	Price		
DRAINABS-11		ABS No-Calk 2" drain	Chrome	DRAINPVC-11	PVC No-Calk 2" drain	Chrome	<b>\$62</b>
DRAINABS-25		ABS No-Calk 2" drain	Brushed Nickel	DRAINPVC-25	PVC No-Calk 2" drain	Brushed Nickel	<b>\$81</b>
DRAINABS-33		ABS No-Calk 2" drain	Matte Black	DRAINPVC-33	PVC No-Calk 2" drain	Matte Black	<b>\$90</b>
DRAINABS-12		ABS No-Calk 2" drain	Brushed Gold	DRAINPVC-12	PVC No-Calk 2" drain	Brushed Gold	<b>\$218</b>

\*Please check local codes to ensure appropriate drain specifications  
For AU (Aurora) bases, please see specialty section in the bases booklet



# STATION Walk-in Shower Panel

Fixed panel

**10**  
year limited  
warranty

- Fixed shower panel
- 3/8" (10mm) clear tempered glass
- Shower panel height: 79"
- Chrome, Brushed Nickel, Matte Black & Brushed Gold finishes



# SIENA Solo Shower Panel

Pivot shower panel without FleurcoSEKUR+ Safety Protection



1/4" (6 mm) Tempered clear glass • 75" Height

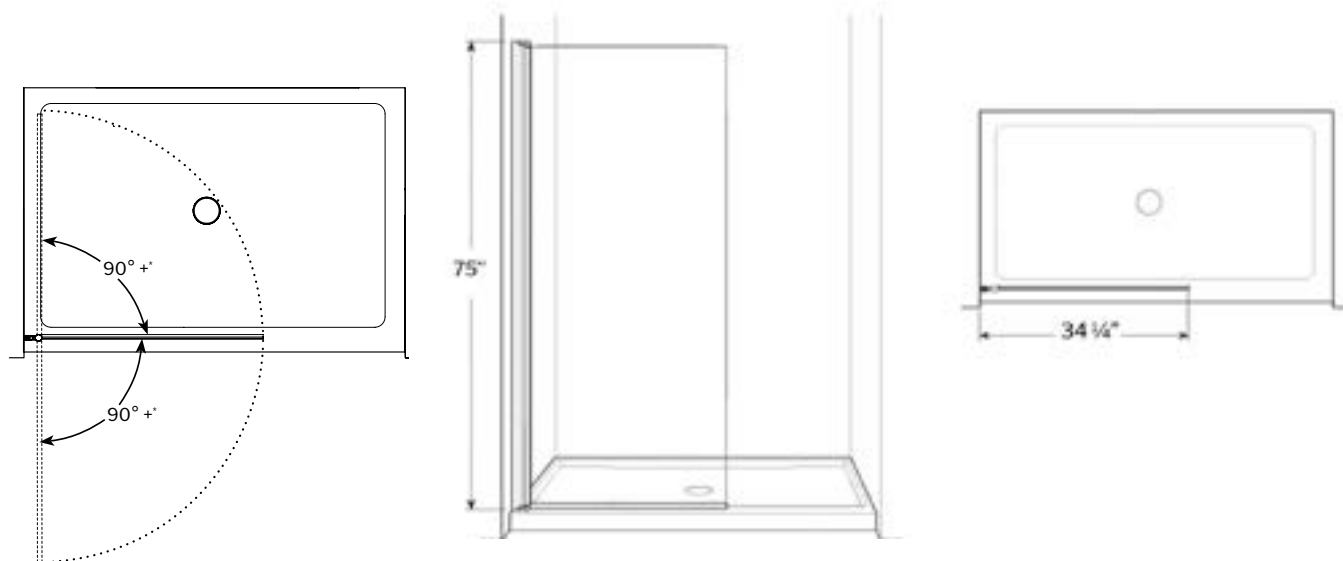
## PIVOT SHOWER PANEL 34

Panel 34 1/4" W x 75" H

MODEL	FINISH	PRICE
EST34-11-40	Chrome	<b>\$1,200</b>
EST34-25-40	Brushed Nickel	<b>\$1,239</b>
EST34-33-40	Matte Black	<b>\$1,277</b>

Fits any base 48" and larger.

For suggested shower bases, visit [www.fleurco.com](http://www.fleurco.com)



\*Panel can go past 90° but may come in contact with wall

### ALL DRAINS SOLD SEPARATELY

DRAIN No-Calk™ Shower Base Drain*	Image	ALL DRAINS SOLD SEPARATELY		
		Model	Material	Price
		DRAINABS-11	ABS No-Calk 2" drain	Chrome \$62
		DRAINABS-25	ABS No-Calk 2" drain	Brushed Nickel \$81
		DRAINABS-33	ABS No-Calk 2" drain	Matte Black \$116
		DRAINABS-12	ABS No-Calk 2" drain	Brushed Gold \$218
		DRAINPVC-11	PVC No-Calk 2" drain	Chrome \$62
		DRAINPVC-25	PVC No-Calk 2" drain	Brushed Nickel \$81
		DRAINPVC-33	PVC No-Calk 2" drain	Matte Black \$90
		DRAINPVC-12	PVC No-Calk 2" drain	Brushed Gold \$218

\*Please check local codes to ensure appropriate drain specifications  
For AU (Aurora) bases, please see specialty section in the bases booklet



**SIENA** Solo, Walk-in Shower Panel  
Pivot shower panel

**10**  
year limited  
warranty

- Pivot glass shower panel
- 90° outward and 90° inward opening
- Reversible left or right side installation
- 1/4" (6mm) clear tempered glass
- Shower panel height: 75"
- Chrome, Brushed Nickel & Matte Black finishes



## SAFETY PROTECTION

### WHAT IS FLEURCOSEKUR+ SAFETY PROTECTION?

FLEURCOSEKUR+ SAFETY PROTECTION is a transparent film bonded directly onto the glass panel by means of an adhesive to improve safety by retaining the pieces together in the event of glass breakage.

### WHAT ARE THE BENEFITS OF FLEURCOSEKUR+ SAFETY PROTECTION?

FLEURCOSEKUR+ SAFETY PROTECTION film provides an added layer of security for you and your family. In the event of an accident, FLEURCOSEKUR+ SAFETY PROTECTION prevents the tempered glass door from shattering into thousands of pieces which could cause damage.

### HOW IS FLEURCOSEKUR+ SAFETY PROTECTION APPLIED?

Application is performed by a specialized machine.

The film is always installed on the exterior side of the panels as to not affect the Microtek® coating on the interior.

### HOW DURABLE IS FLEURCOSEKUR+ SAFETY PROTECTION?

FLEURCOSEKUR+ SAFETY PROTECTION is very durable. It has been tested for long-term usage against chemicals and normal wear and meets the required standards.

### HOW DO I CLEAN GLASS TREATED WITH FLEURCOSEKUR+ SAFETY PROTECTION?

No abrasive materials should be used in cleaning a FLEURCOSEKUR+ SAFETY PROTECTION treated shower door. Cleaning with a damp cloth using a mixture of vinegar/mild soap with water is recommended.



**5**  
year limited  
warranty



# WALK-IN TUB SHIELDS

1 fixed panel with 1 pivoting panel



# WALK-IN TUB PANELS

Single panel



FLEURCO INC. **CANADA** Tel: 1.514.326.2222 | Toll Free: 1.800.993.0033 | Fax: 1.514.326.2008 | [www.fleurco.com](http://www.fleurco.com)

FLEURCO INC. **USA EAST** Tel: 856.778.0110 | Toll Free: 1.888.568.2121 | Fax: 1.888.854.1020

FLEURCO INC. **USA SOUTHEAST** Tel: 239.401.6612 | Toll Free: 1.888.877.6008

FLEURCO INC. **USA MIDWEST** Tel: 630.607.0847 | Toll Free: 1.888.263.3651 | Fax: 331.225.2549

FLEURCO INC. **USA WEST** Tel: 562.368.8800 | Toll Free: 1.877.413.2880 | Fax: 562.368.8812

# WALK-IN TUB SHIELDS



## SELECT MONACO SQUARE TOP ..... 4-5

Pivot tub shield with fixed panel  
 Sizes: 24" fixed panel with 15" moveable panel



## SELECT MONACO ROUND TOP ..... 6-7

Pivot tub shield with fixed panel  
 Sizes: 24" fixed panel with 15" moveable panel



NEW!  
BRUSHED GOLD  
FINISH



## SIENA DUO ..... 8-9

Bi-fold pivot tub shield  
 Sizes: 27" fixed panel with 15" moveable panel



## SIENA ..... 10-11

Pivot tub shield with fixed panel  
 Sizes: 25" fixed panel with 15" moveable panel



Glass surface protection



See website for more information

Available finishes

- Chrome
- Brushed Nickel
- Matte Black
- Brushed Gold

Glass type

- Clear

# WALK-IN TUB PANELS

NEW!



**VESPERO** ..... 11A-11B  
 Fixed tub panel  
 Size: 30

M SEKUR+ ● ● ● C SG F



**LATITUDE** ..... 12-13  
 Fixed tub panel  
 Sizes: 28, 32

M SEKUR+ ● C



**\*SELECT SOLO** ..... 14-15  
 Pivot tub panel  
 Size: 29

M ● ● ● C

NEW!  
BRUSHED GOLD FINISH



**\*STATION** ..... 16-17  
 Fixed tub panel  
 Sizes: 30, 34


M ● ● ● ● C



**\*SIENA SOLO** ..... 18-19  
 Pivot tub panel  
 Size: 34

M ● ● ● C

M Glass surface protection



See website for more information

SEKUR+ Safety protection



See information page at the end of the section

- Available finishes
- Chrome
  - Brushed Nickel
  - Matte Black
  - Brushed Gold

- Glass type
- C Clear
  - SG Smoked Grey
  - F Fluted

SELECT

**MONACO** Square Top Tub Shield

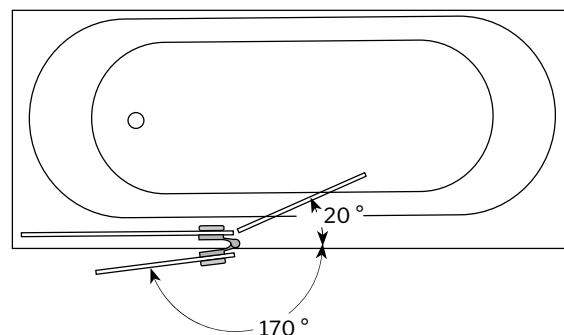
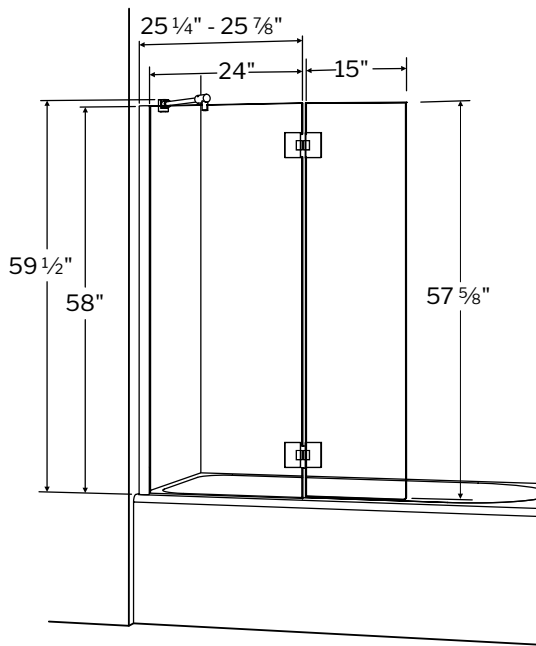
Pivot tub shield with fixed panel without FleurcoSEKUR+ Safety Protection

**3/8" (10 mm) Tempered clear glass • 58" Height (59 1/2" to top of "X" support bar)****TUB SHIELD**

58" H (59 1/2" to top of support bar)

MODEL	FINISH	PRICE
VMSXT24-11-40	Chrome	<b>\$1,506</b>
VMSXT24-25-40	Brushed Nickel	<b>\$1,549</b>
VMSXT24-33-40	Matte Black	<b>\$1,570</b>

This unit is universal, left and right.





SELECT

## MONACO Square Top

Walk-in pivot tub shield with fixed panel

**10**  
year limited  
warranty

- Square top shield with fixed panel
- 170° outward and 20° inward opening
- Reversible left or right side installation
- Rectangular glass-to-glass hinges
- 3/8" (10mm) clear tempered glass
- Tub shield height: 58" (59 1/2" to top of support bar)
- Chrome, Brushed Nickel & Matte Black finishes
- Custom sizes available

 **Microtek®**  
FLEURCO  
Glass surface protection

SELECT

# MONACO Round Top Tub Shield

Pivot tub shield with fixed panel without FleurcoSEKUR+ Safety Protection



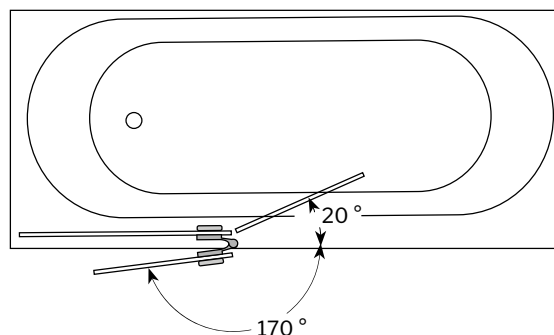
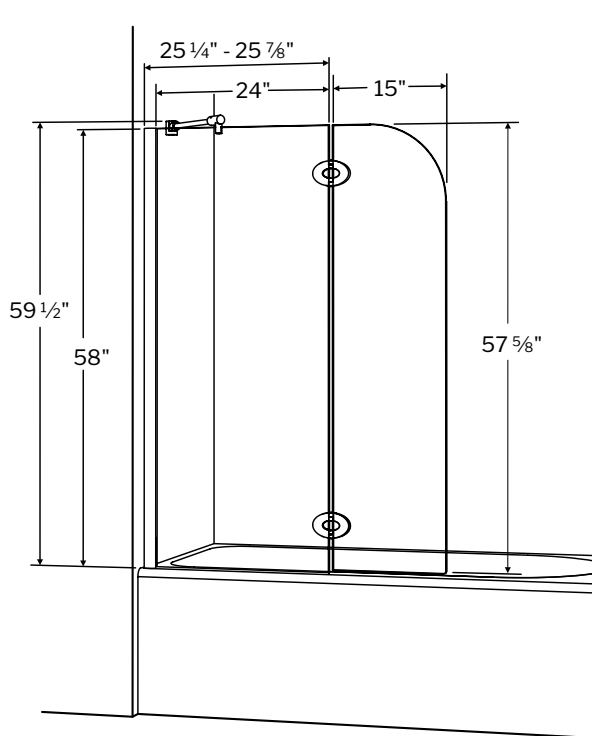
**3/8" (10 mm) or 1/4" (6 mm) Tempered clear glass**  
**58" Height (59 1/2" to top of "X" support bar)**

## TUB SHIELD

58" H (59 1/2" to top of support bar)

MODEL	FINISH	PRICE
3/8" (10 mm) clear tempered glass		
VQRXT24-11-40	Chrome	<b>\$1,506</b>
VQRXT24-25-40	Brushed Nickel	<b>\$1,549</b>
VQRXT24-33-40	Matte Black	<b>\$1,570</b>
1/4" (6 mm) clear tempered glass		
VQRST24-11-40	Chrome	<b>\$1,163</b>
VQRST24-25-40	Brushed Nickel	<b>\$1,182</b>
VQRST24-33-40	Matte Black	<b>\$1,203</b>

These units are universal, left and right.



SELECT

**MONACO** Round Top

Walk-in pivot tub shield with fixed panel

**10**  
year limited  
warranty

Round top shield with fixed panel

170° outward and 20° inward opening

Reversible left or right side installation

Oval glass-to-glass hinges

3/8" (10mm) clear tempered glass

1/4" (6mm) clear tempered glass

Tub shield height: 58" (59 1/2" to top of support bar)

Chrome, Brushed Nickel &amp; Matte Black finishes

Custom sizes available


**Microtek**<sup>®</sup>  
FLEURCO  
 Glass surface protection

# SIENA Duo Tub Shield

Bi-fold pivot tub shield without FleurcoSEKUR+ Safety Protection

1/4" (6 mm) Tempered clear glass • 58" Height

**NEW!**  
BRUSHED GOLD  
FINISH

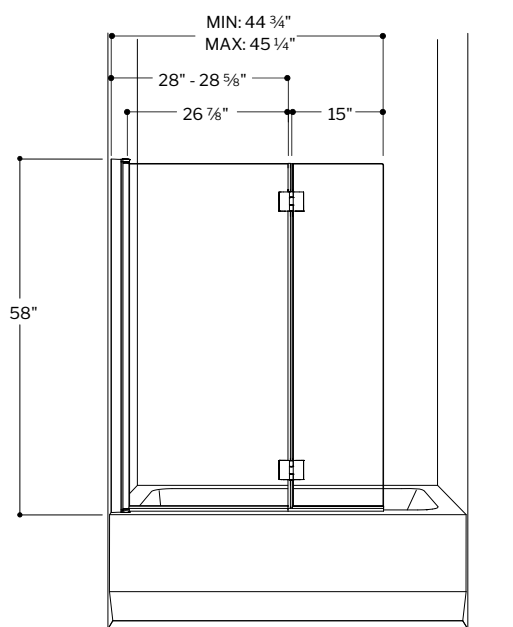
**Microtek®**  
FLEURCO  
Glass surface protection

## TUB SHIELD

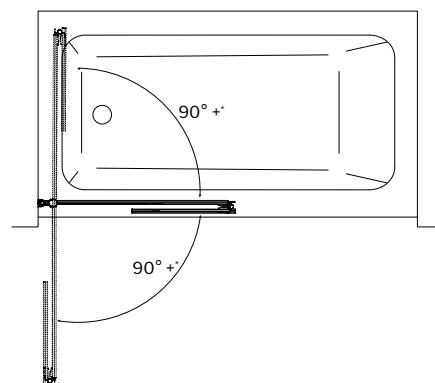
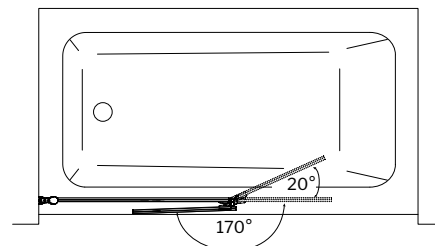
Moving Panel 26 7/8" W

Small Shield 15" W x 58" H

MODEL	FINISH	PRICE
ESHB26-11-40	Chrome	<b>\$1,453</b>
ESHB26-25-40	Brushed Nickel	<b>\$1,493</b>
ESHB26-33-40	Matte Black	<b>\$1,539</b>
ESHB26-12-40 <b>NEW!</b>	Brushed Gold	<b>\$1,597</b>



Fully opened unit



\*Panel can go past 90° but may come in contact with wall





**NEW!  
BRUSHED GOLD  
FINISH**

**WALK-IN  
TUB SHIELDS**

**SIENA**



**ESHB26-12-40**

# SIENA Duo, Walk-in Tub Shield

Bi-fold pivot tub shield

**10**  
year limited  
warranty

Bi-fold glass panels allowing full access to faucet and tub

European water deflection system

90° outward and 90° inward opening for large panel

170° outward and 20° inward opening for small shield

Reversible left or right side installation

1/4" (6mm) clear tempered glass

Tub shield height: 58"

Chrome, Brushed Nickel, Matte Black & Brushed Gold finishes



Glass surface protection

# SIENA Tub Shield

Pivot tub shield with fixed panel without FleurcoSEKUR+ Safety Protection



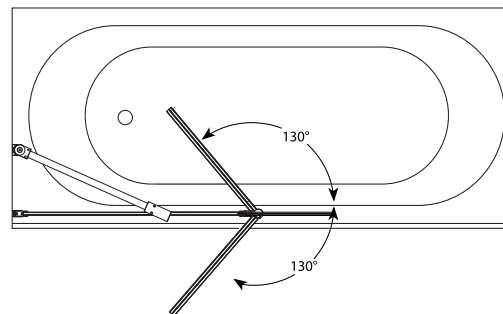
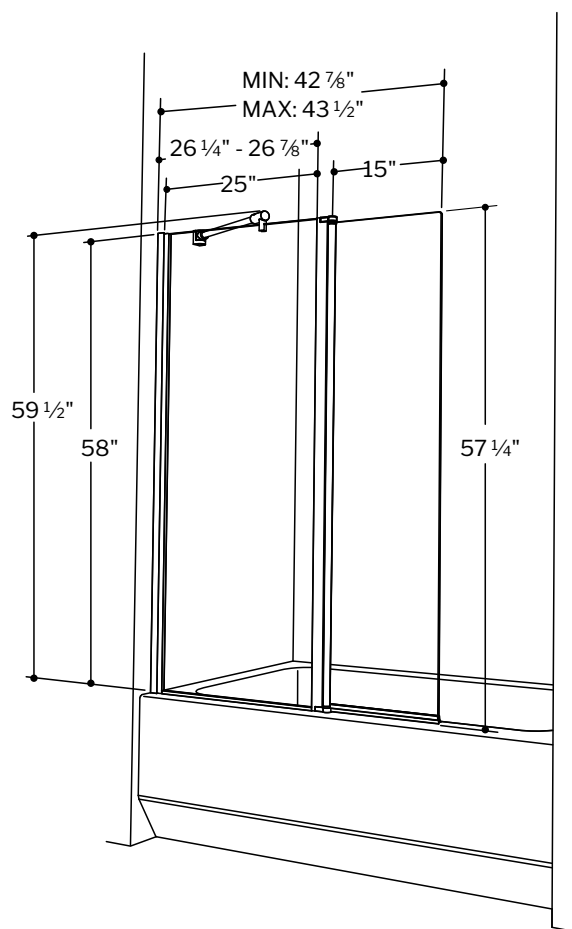
**1/4" (6 mm) Tempered clear glass • 58" Height (59 1/2" to top of support bar)**

## TUB SHIELD

Large Panel 25" W

Moving Shield 15" W x 58" H (59 1/2" to top of support bar)

MODEL	FINISH	PRICE
ESH24-11-40	Chrome	<b>\$1,200</b>
ESH24-25-40	Brushed Nickel	<b>\$1,239</b>
ESH24-33-40	Matte Black	<b>\$1,277</b>





## SIENA Walk-in Tub Shield

Pivot tub shield with fixed panel

**10**  
year limited  
warranty

- European water deflection system
- 130° outward and 130° inward opening
- Reversible left or right side installation
- 1/4" (6mm) clear tempered glass
- Tub shield height: 58" (59 1/2" to top of support bar)
- Chrome, Brushed Nickel & Matte Black finishes

 **Microtek**<sup>®</sup>  
FLEURCO  
Glass surface protection

# VESPERO Tub Panel

Fixed panel

NEW!

**1/4" (6 mm) Tempered glass**

**58" Height (58 1/4" to top of support bar)**

## TUB PANEL

30" to 30 5/16" W x 58" H

MODEL	FINISH	GLASS	PRICE
VSPT30-11-40	Chrome	Clear	<b>\$698</b>
VSPT30-33-40	Matte Black	Clear	<b>\$736</b>
VSPT30-12-40	Brushed Gold	Clear	<b>\$880</b>
VSPT30-33-30	Matte Black	Smoked Grey	<b>\$747</b>
VSPT30-12-30	Brushed Gold	Smoked Grey	<b>\$890</b>
VSPT30-11-55	Chrome	Fluted	<b>\$718</b>
VSPT30-33-55	Matte Black	Fluted	<b>\$757</b>
VSPT30-12-55	Brushed Gold	Fluted	<b>\$900</b>



Glass surface protection



These units are reversible.

# VESPERO

Fixed tub panel

NEW!

**10**  
year limited  
warranty

Ultra modern European design

Easy installation

Hidden anchoring system

1/4" (6mm) clear, smoked grey or fluted glass

Tub panel heights: 58" (58 1/4" to top of support bar)

Chrome, Matte Black & Brushed Gold finishes\*

\*Options vary by glass type. See page 11A for more information.

 **FLEURCO™SEKUR<sup>+</sup>**  
SAFETY PROTECTION \*  
\*5 year limited warranty

 **Microtek®**  
FLEURCO  
Glass surface protection

# LATITUDE Tub Panel

Fixed tub panel

**5/16" (8 mm) Tempered clear glass**  
**66" Height (66 3/4" to top of support bar)**

## TUB PANEL 28

28 1/2" W x 66" H (66 3/4" to top of support bar)

MODEL	FINISH	PRICE
LAVT28-33-43	Matte Black	\$799

## TUB PANEL 32

32 1/2" W x 66" H (66 3/4" to top of support bar)

MODEL	FINISH	PRICE
LAVT32-33-43	Matte Black	\$845

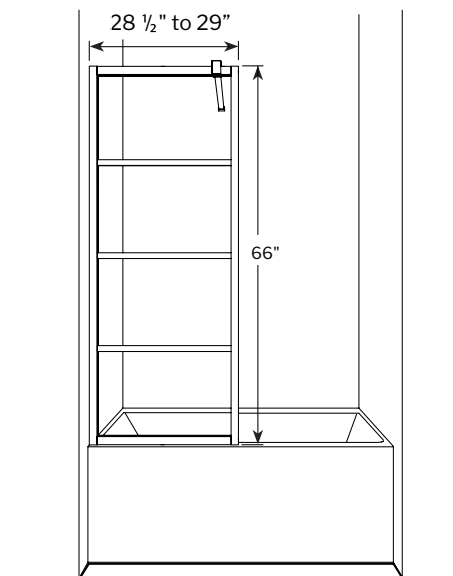


Glass surface protection

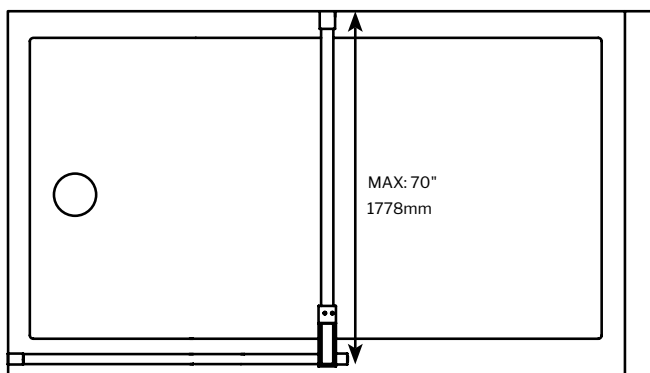
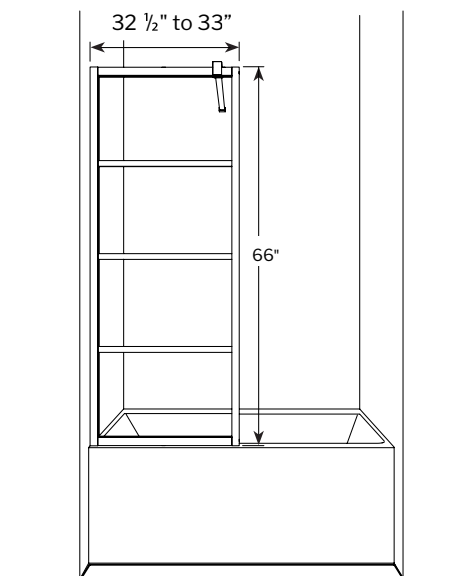


These units are reversible.

## LAVT28



## LAVT32





# LATITUDE Walk-in Tub Panel

Fixed tub panel

**10**  
year limited  
warranty

Silk screen design - high style, low maintenance  
5/16" (8mm) clear tempered glass  
Tub panel height: 66" (66 3/4" to top of support bar)  
Matte Black finish

 **FLEURCO™SEKUR<sup>+</sup>**  
SAFETY PROTECTION \*  
\*5 year limited warranty

 **Microtek®**  
FLEURCO  
Glass surface protection

# SELECT SOLO Tub Panel

Pivot tub panel without FleurcoSEKUR+ Safety Protection



**3/8" (10 mm) Tempered clear glass • 63" Height**

## SELECT ROUND TOP WITH OVAL (Q) HINGES

29" W x 63" H

MODEL	FINISH	PRICE
VQRXT029-11-40	Chrome	<b>\$758</b>
VQRXT029-25-40	Brushed Nickel	<b>\$785</b>
VQRXT029-33-40	Matte Black	<b>\$797</b>

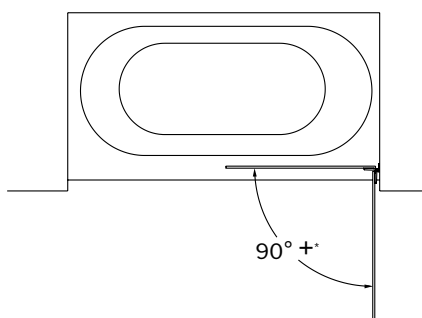
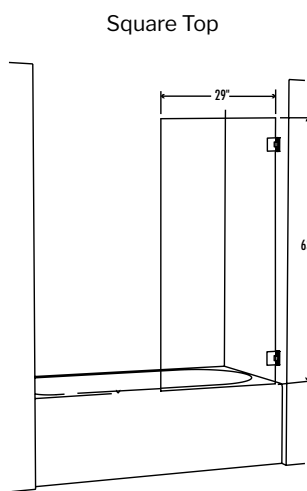
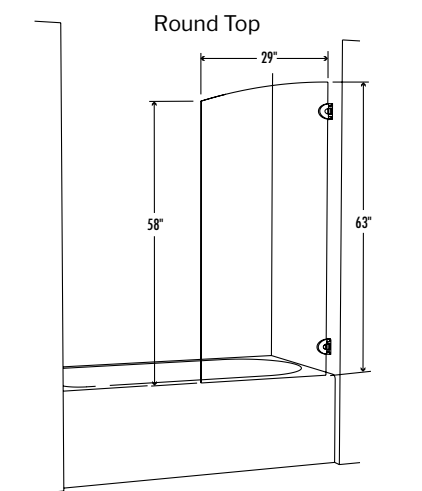
This unit is universal, left and right.

## SELECT SQUARE TOP WITH RECTANGULAR (M) HINGES

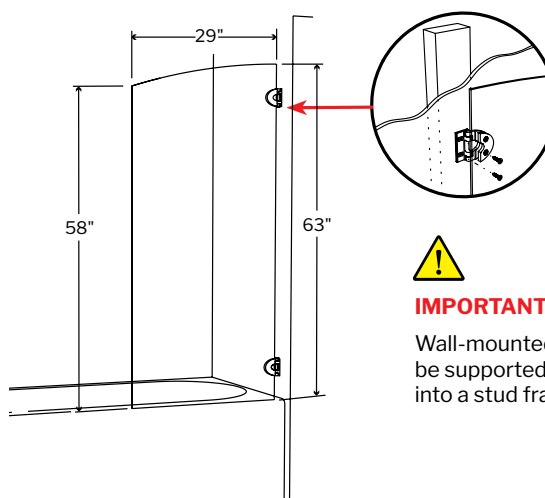
29" W x 63" H

MODEL	FINISH	PRICE
VMSXT029-11-40	Chrome	<b>\$758</b>
VMSXT029-25-40	Brushed Nickel	<b>\$785</b>
VMSXT029-33-40	Matte Black	<b>\$797</b>

This unit is universal, left and right.



\*Panel can go past 90° but may come in contact with wall



### IMPORTANT

Wall-mounted hinges must be supported and fastened into a stud framing.

SELECT

**SOLO** Walk-in Tub Panel

Pivot tub panel

**10**  
year limited  
warranty**90° outward opening****Reversible left or right side installation****Oval wall-mount hinges for Round Top****Rectangular wall-mount hinges for Square Top****3/8" (10mm) clear tempered glass****Tub panel height: 63"****Chrome, Brushed Nickel & Matte Black finishes****Custom sizes available**

**Microtek®**  
FLEURCO  
 Glass surface protection

# STATION Fixed Tub Panel

Fixed tub panel without FleurcoSEKUR+ Safety Protection

3/8" (10 mm) Tempered clear glass • 58" Height

**NEW!**  
BRUSHED GOLD  
FINISH

**Microtek®**  
FLEURCO  
Glass surface protection

## TUB PANEL 30

29 3/4" to 30 3/8" x 58" H

MODEL	FINISH	PRICE
VSXT30-11-40	Chrome	<b>\$566</b>
VSXT30-25-40	Brushed Nickel	<b>\$586</b>
VSXT30-33-40	Matte Black	<b>\$591</b>
VSXT30-12-40 <b>NEW!</b>	Brushed Gold	<b>\$613</b>

This unit is universal, left and right.

Can also be used as a return panel.

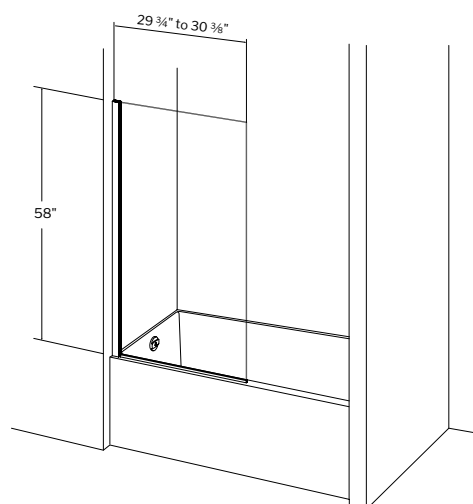
## TUB PANEL 34

33 3/4" to 34 3/8" x 58" H

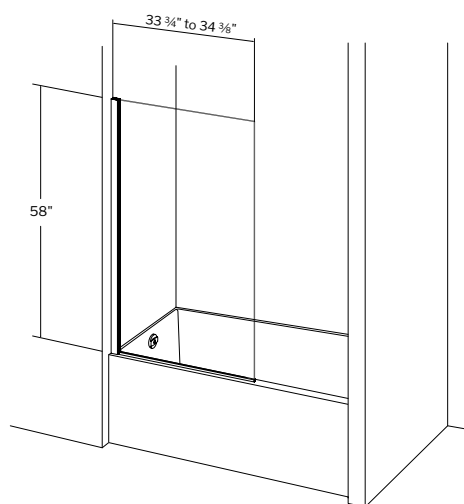
MODEL	FINISH	PRICE
VSXT34-11-40	Chrome	<b>\$620</b>
VSXT34-25-40	Brushed Nickel	<b>\$649</b>
VSXT34-33-40	Matte Black	<b>\$660</b>
VSXT34-12-40 <b>NEW!</b>	Brushed Gold	<b>\$706</b>

This unit is universal, left and right.

Can also be used as a return panel.

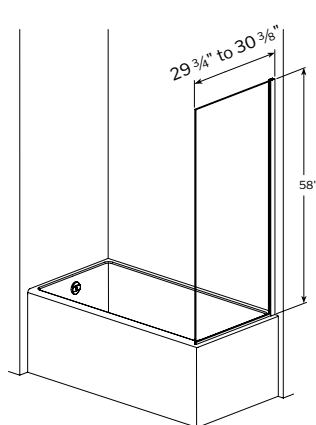


**VSXT30**

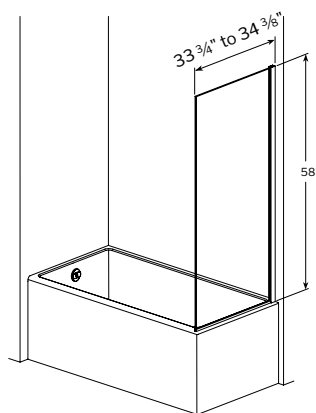


**VSXT34**

Can also be used as a return panel.



**VSXT30**



**VSXT34**



**NEW!  
BRUSHED GOLD  
FINISH**

**WALK-IN TUB PANELS**

**STATION**

**VSXT30-12-40**

# **STATION** Walk-in Tub Panel

Fixed tub panel

**10**  
year limited  
warranty

- Fixed tub panel
- Reversible left or right side installation
- 3/8" (10mm) clear tempered glass
- Tub panel height: 58"
- Chrome, Brushed Nickel, Matte Black & Brushed Gold finishes



# SIENA Solo Tub Panel

Pivot tub panel without FleurcoSEKUR+ Safety Protection

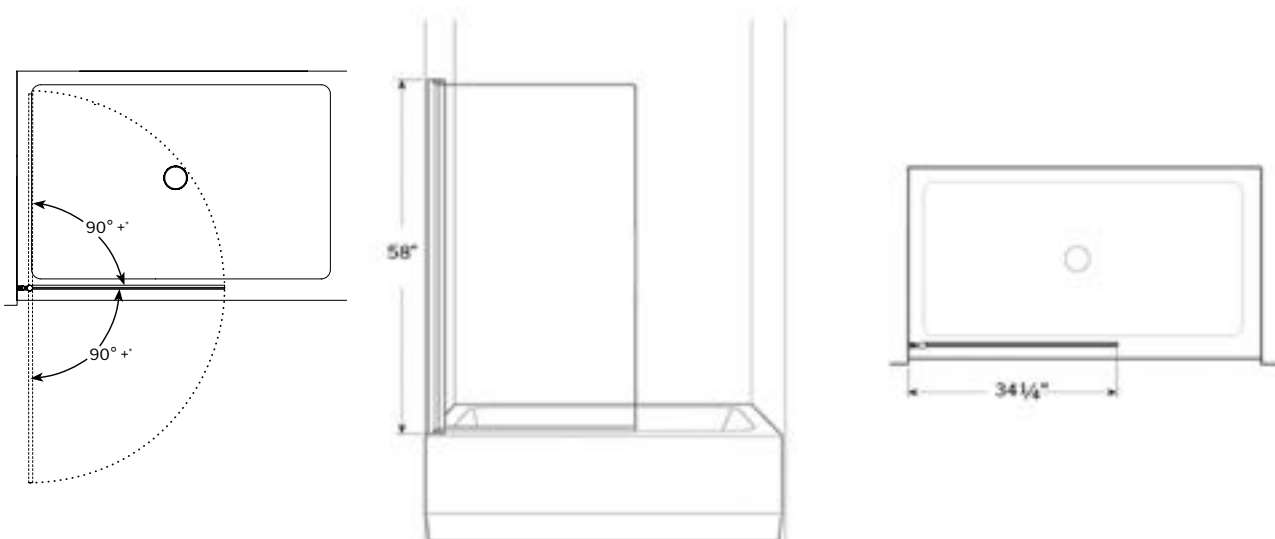
1/4" (6 mm) Tempered clear glass • 58" Height



## PIVOT TUB PANEL 34

Panel 34 1/4" W x 58" H

MODEL	FINISH	PRICE
ESB34-11-40	Chrome	<b>\$1,087</b>
ESB34-25-40	Brushed Nickel	<b>\$1,122</b>
ESB34-33-40	Matte Black	<b>\$1,155</b>



\*Panel can go past 90° but may come in contact with wall



# SIENA Solo, Walk-in Tub Panel

Pivot tub panel

**10**  
year limited  
warranty

Pivot glass panel

90° outward and 90° inward opening

Reversible left or right side installation

1/4" (6mm) clear tempered glass

Tub panel height: 58"

Chrome, Brushed Nickel & Matte Black finishes



## SAFETY PROTECTION

### WHAT IS FLEURCOSEKUR+ SAFETY PROTECTION?

FLEURCOSEKUR+ SAFETY PROTECTION is a transparent film bonded directly onto the glass panel by means of an adhesive to improve safety by retaining the pieces together in the event of glass breakage.

### WHAT ARE THE BENEFITS OF FLEURCOSEKUR+ SAFETY PROTECTION?

FLEURCOSEKUR+ SAFETY PROTECTION film provides an added layer of security for you and your family. In the event of an accident, FLEURCOSEKUR+ SAFETY PROTECTION prevents the tempered glass door from shattering into thousands of pieces which could cause damage.

### HOW IS FLEURCOSEKUR+ SAFETY PROTECTION APPLIED?

Application is performed by a specialized machine.

The film is always installed on the exterior side of the panels as to not affect the Microtek® coating on the interior.

### HOW DURABLE IS FLEURCOSEKUR+ SAFETY PROTECTION?

FLEURCOSEKUR+ SAFETY PROTECTION is very durable. It has been tested for long-term usage against chemicals and normal wear and meets the required standards.

### HOW DO I CLEAN GLASS TREATED WITH FLEURCOSEKUR+ SAFETY PROTECTION?

No abrasive materials should be used in cleaning a FLEURCOSEKUR+ SAFETY PROTECTION treated shower door. Cleaning with a damp cloth using a mixture of vinegar/mild soap with water is recommended.



**5**  
year limited  
warranty

