

# PIVOT DOORS



**\*SELECT PLATINUM KARA** ..... 2-3  
 Frameless pivot door  
 Sizes: 23, 24, 25, 26, 27, 28, 29, 30, 31, 32, 33, 34, 35



**\*SELECT PLATINUM KARA DISCONTINUED** ..... 4-5  
 Frameless pivot door  
 Sizes: 23, 24, 25, 26, 27, 28, 29, 30, 31, 32, 33, 34, 35





**LATITUDE DISCONTINUED** ..... 6-7  
 In & out pivot door  
 Sizes: 29, 33



**ELERA** ..... 8-9  
 In & out pivot door  
 Sizes: 23, 25, 27, 29, 31, 33, 35



<p><b>M</b> Glass surface protection</p>  <p>See website for more information</p>	<p><b>SEKUR+</b> Safety Protection</p>  <p>See information page at the end of the section</p>	<p>Available finishes</p> <ul style="list-style-type: none"> <li><span style="display: inline-block; width: 10px; height: 10px; background-color: #ccc; border-radius: 50%; margin-right: 5px;"></span> Chrome</li> <li><span style="display: inline-block; width: 10px; height: 10px; background-color: #666; border-radius: 50%; margin-right: 5px;"></span> Brushed Nickel</li> <li><span style="display: inline-block; width: 10px; height: 10px; background-color: #000; border-radius: 50%; margin-right: 5px;"></span> Matte Black</li> </ul>	<p>Glass type</p> <p><b>C</b> Clear</p>
--	--	--	---

\*Without FleurcoSEKUR+ Safety Protection

FLEURCO INC. **CANADA** Tel: 1.514.326.2222 | Toll Free: 1.800.993.0033 | Fax: 1.514.326.2008 | [www.fleurco.com](http://www.fleurco.com)

FLEURCO INC. **USA EAST** Tel: 856.778.0110 | Toll Free: 1.888.568.2121 | Fax: 1.888.854.1020

FLEURCO INC. **USA SOUTHEAST** Tel: 239.401.6612 | Toll Free: 1.888.877.6008

FLEURCO INC. **USA MIDWEST** Tel: 630.607.0847 | Toll Free: 1.888.263.3651 | Fax: 331.225.2549

FLEURCO INC. **USA WEST** Tel: 562.368.8800 | Toll Free: 1.877.413.2880 | Fax: 562.368.8812

SELECT

# PLATINUM Kara

Frameless pivot door without FleurcoSEKUR+ Safety Protection



**Microtek®**  
FLEURCO

Glass surface protection

## 3/8" (10 mm) Tempered clear glass • 79" Height

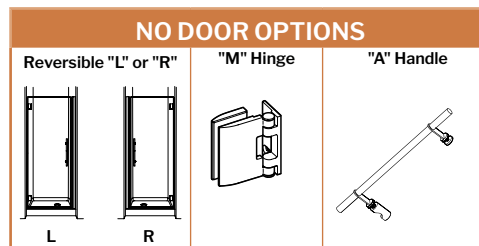
These units are reversible.

OPENING SIZE	APPROX. ENTRY	MODEL	PRICE		
			CHROME (1)	BRUSHED NICKEL (25)	MATTE BLACK (33)
23" to 24" W	19"	PKT23- F -40-79	\$1,248	\$1,261	\$1,290
24" to 25" W	20"	PKT24- __ -40-79	\$1,269	\$1,284	\$1,311
25" to 26" W	21"	PKT25- __ -40-79	\$1,295	\$1,310	\$1,337
26" to 27" W	22"	PKT26- __ -40-79	\$1,322	\$1,336	\$1,365
27" to 28" W	23"	PKT27- __ -40-79	\$1,347	\$1,358	\$1,387
28" to 29" W	24"	PKT28- __ -40-79	\$1,372	\$1,386	\$1,414
29" to 30" W	25"	PKT29- __ -40-79	\$1,396	\$1,411	\$1,439
30" to 31" W	26"	PKT30- __ -40-79	\$1,425	\$1,434	\$1,461
31" to 32" W	27"	PKT31- __ -40-79	\$1,446	\$1,458	\$1,488
32" to 33" W	28"	PKT32- __ -40-79	\$1,471	\$1,487	\$1,512
33" to 34" W	29"	PKT33- __ -40-79	\$1,499	\$1,510	\$1,539
34" to 35" W	30"	PKT34- __ -40-79	\$1,521	\$1,533	\$1,563
			<b>BASE</b>	<b>SIZE</b>	<b>PRICE</b>
			ADC36ST-18	36" x 36" x 2 3/4"	\$1,043
			ADQ3636-18	36" x 36" x 2 3/4"	\$878
			For more information on bases, see bases booklet or <a href="http://www.fleurco.com">www.fleurco.com</a>		
35" to 36" W	31"	PKT35- __ -40-79	\$1,548	\$1,561	\$1,585

### ALL DRAINS SOLD SEPARATELY

DRAIN No-Calk™ Shower Base Drain*		MODEL	MATERIAL	FINISH	PRICE
		DRAINABS-11	ABS No-Calk 2" drain	Chrome	\$62
		DRAINABS-25	ABS No-Calk 2" drain	Brushed Nickel	\$81
		DRAINABS-33	ABS No-Calk 2" drain	Matte Black	\$116
		DRAINABS-12	ABS No-Calk 2" drain	Brushed Gold	\$218
		DRAINPVC-11	PVC No-Calk 2" drain	Chrome	\$62
		DRAINPVC-25	PVC No-Calk 2" drain	Brushed Nickel	\$81
		DRAINPVC-33	PVC No-Calk 2" drain	Matte Black	\$90
		DRAINPVC-12	PVC No-Calk 2" drain	Brushed Gold	\$218

\*Please check local codes to ensure appropriate drain specifications  
For AU (Aurora) bases, please see specialty section in the bases booklet





PIVOT DOORS

PLATINUM

PKT34-11-40-79

SELECT  
**PLATINUM** Kara, Pivot Door  
Frameless pivot door

**10**  
year limited  
warranty

- European style frameless door
- Rectangular wall-mount hinges (M)
- Straight handle (A)
- 3/8" (10mm) clear tempered glass
- Shower door height: 79"
- Chrome, Brushed Nickel & Matte Black finishes



SELECT  
**PLATINUM**  
Kara



Frameless pivot door without FleurcoSEKUR+ Safety Protection

**1/4" (6 mm) Tempered clear glass • 70" Height**

These units are reversible.

OPENING SIZE	APPROX. ENTRY	MODEL	FINISH
23" to 24" W	19"	PKS23-11-40-70	Chrome
		PKS23-25-40-70	Brushed Nickel
		PKS23-33-40-70	Matte Black
24" to 25" W	20"	PKS24-11-40-70	Chrome
		PKS24-25-40-70	Brushed Nickel
		PKS24-33-40-70	Matte Black
25" to 26" W	21"	PKS25-11-40-70	Chrome
		PKS25-25-40-70	Brushed Nickel
		PKS25-33-40-70	Matte Black
26" to 27" W	22"	PKS26-11-40-70	Chrome
		PKS26-25-40-70	Brushed Nickel
		PKS26-33-40-70	Matte Black
27" to 28" W	23"	PKS27-11-40-70	Chrome
		PKS27-25-40-70	Brushed Nickel
		PKS27-33-40-70	Matte Black
28" to 29" W	24"	PKS28-11-40-70	Chrome
		PKS28-25-40-70	Brushed Nickel
		PKS28-33-40-70	Matte Black
29" to 30" W	25"	PKS29-11-40-70	Chrome
		PKS29-25-40-70	Brushed Nickel
		PKS29-33-40-70	Matte Black
30" to 31" W	26"	PKS30-11-40-70	Chrome
		PKS30-25-40-70	Brushed Nickel
		PKS30-33-40-70	Matte Black
31" to 32" W	27"	PKS31-11-40-70	Chrome
		PKS31-25-40-70	Brushed Nickel
		PKS31-33-40-70	Matte Black
32" to 33" W	28"	PKS32-11-40-70	Chrome
		PKS32-25-40-70	Brushed Nickel
		PKS32-33-40-70	Matte Black
33" to 34" W	29"	PKS33-11-40-70	Chrome
		PKS33-25-40-70	Brushed Nickel
		PKS33-33-40-70	Matte Black
34" to 35" W	30"	PKS34-11-40-70	Chrome
		PKS34-25-40-70	Brushed Nickel
		PKS34-33-40-70	Matte Black
35" to 36" W	31"	PKS35-11-40-70	Chrome
		PKS35-25-40-70	Brushed Nickel
		PKS35-33-40-70	Matte Black

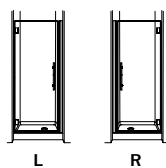
  

BASE	SIZE
ADC36ST-18	36" x 36" x 2 3/4"
ADQ3636-18	36" x 36" x 2 3/4"

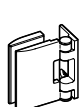
For more information on bases, see bases booklet or [www.fleurco.com](http://www.fleurco.com)

**NO DOOR OPTIONS**

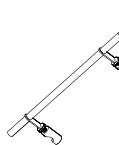
Reversible "L" or "R"



"M" Hinge



"A" Handle



DISCONTINUED

SELECT

# PLATINUM | Kara, Pivot Door

Frameless pivot door

**10**  
year limited  
warranty

- European style frameless door
- Rectangular wall-mount hinges (M)
- Straight handle (A)
- 1/4" (6mm) clear tempered glass
- Shower door height: 70"
- Chrome, Brushed Nickel & Matte Black finishes

 **Microtek**  
FLEURCO  
Glass surface protection

# LATITUDE PIVOT

In & out pivot door

**5/16" (8 mm) Tempered clear glass • 79" Height**

## PIVOT DOOR 29

29 3/8" to 30 5/8" W x 79" H · Approx. entry: 25 1/2"

MODEL	FINISH
LAP29-33-43-79	Matte Black

## PIVOT DOOR 33

33 3/8" to 34 5/8" W x 79" H · Approx. entry: 29 1/2"

MODEL	FINISH
LAP33-33-43-79	Matte Black

BASE	SIZE
ADC36ST-18	36" x 36" x 2 3/4"
ADQ3636-18	36" x 36" x 2 3/4"

For more information on bases, see bases booklet or [www.fleurco.com](http://www.fleurco.com)

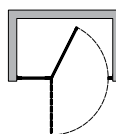


Glass surface protection



These units are reversible.

**DISCONTINUED**



NOTE: Inward opening and entry can be compromised by insufficient depth of enclosure.

Call customer service for more information.



DISCONTINUED

LAP33-33-43-79



# LATITUDE

PIVOT Pivot Door

In & out pivot door

**10**  
year limited  
warranty

Silk screen design - high style, low maintenance

Sleek vertical handle

In & out pivoting system with 90° inward & 90° outward opening

Reversible left or right opening

Magnetic closure

5/16" (8mm) clear tempered glass

Shower door height: 79"

Matte Black finish

**FLEURCO™SEKUR<sup>+</sup>**  
SAFETY PROTECTION \*  
\*5 year limited warranty

**Microtek®**  
FLEURCO  
Glass surface protection

# ELERA

In & out pivot door



Glass surface protection



SAFETY PROTECTION

## 5/16" (8 mm) Tempered clear glass • 79" Height

These units are reversible.

### PIVOT DOOR 23

23 1/2" to 24 3/4" W x 79" H · Approx. entry: 19 1/4"

MODEL	FINISH	PRICE
ELEP23-11-40-79	Chrome	<b>\$907</b>
ELEP23-25-40-79	Brushed Nickel	<b>\$924</b>
ELEP23-33-40-79	Matte Black	<b>\$957</b>

### PIVOT DOOR 25

25 1/2" to 26 3/4" W x 79" H · Approx. entry: 21 1/4"

MODEL	FINISH	PRICE
ELEP25-11-40-79	Chrome	<b>\$924</b>
ELEP25-25-40-79	Brushed Nickel	<b>\$940</b>
ELEP25-33-40-79	Matte Black	<b>\$974</b>

### PIVOT DOOR 27

27 1/2" to 28 3/4" W x 79" H · Approx. entry: 23 1/4"

MODEL	FINISH	PRICE
ELEP27-11-40-79	Chrome	<b>\$940</b>
ELEP27-25-40-79	Brushed Nickel	<b>\$957</b>
ELEP27-33-40-79	Matte Black	<b>\$992</b>

### PIVOT DOOR 29

29 1/2" to 30 3/4" W x 79" H · Approx. entry: 25 1/4"

MODEL	FINISH	PRICE
ELEP29-11-40-79	Chrome	<b>\$957</b>
ELEP29-25-40-79	Brushed Nickel	<b>\$974</b>
ELEP29-33-40-79	Matte Black	<b>\$1,008</b>

### PIVOT DOOR 31

31 1/2" to 32 3/4" W x 79" H · Approx. entry: 27 1/4"

MODEL	FINISH	PRICE
ELEP31-11-40-79	Chrome	<b>\$974</b>
ELEP31-25-40-79	Brushed Nickel	<b>\$992</b>
ELEP31-33-40-79	Matte Black	<b>\$1024</b>

### PIVOT DOOR 33

33 1/2" to 34 3/4" W x 79" H · Approx. entry: 29 1/4"

MODEL	FINISH	PRICE
ELEP33-11-40-79	Chrome	<b>\$992</b>
ELEP33-25-40-79	Brushed Nickel	<b>\$1,008</b>
ELEP33-33-40-79	Matte Black	<b>\$1,041</b>

BASE	SIZE	PRICE
ADC36ST-18	36" x 36" x 2 3/4"	<b>\$1,043</b>
ADQ3636-18	36" x 36" x 2 3/4"	<b>\$878</b>

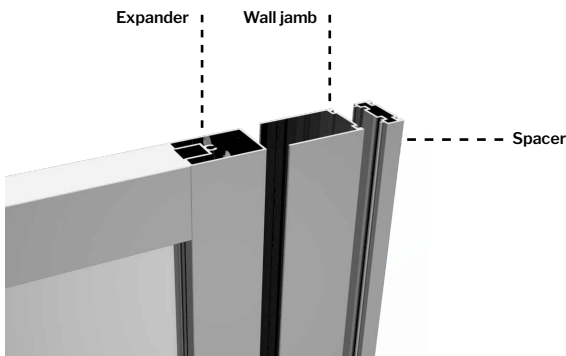
For more information on bases, see bases booklet or [www.fleurco.com](http://www.fleurco.com)

### PIVOT DOOR 35

35 1/2" to 36 3/4" W x 79" H · Approx. entry: 31 1/4"

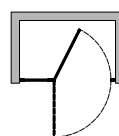
MODEL	FINISH	PRICE
ELEP35-11-40-79	Chrome	<b>\$1,008</b>
ELEP35-25-40-79	Brushed Nickel	<b>\$1,024</b>
ELEP35-33-40-79	Matte Black	<b>\$1,058</b>

Spacer kit includes set of (2) 3/8" spacers giving an additional 3/4" adjustment for opening.



Spacer (sold separately)

MODEL	FINISH	PRICE
ELE-SPACER-3/8-11	Chrome	<b>\$111</b>
ELE-SPACER-3/8-25	Brushed Nickel	<b>\$117</b>
ELE-SPACER-3/8-33	Matte Black	<b>\$126</b>



NOTE: Inward opening and entry can be compromised by insufficient depth of enclosure. Call customer service for more information.



PIVOT DOORS

ELERA

ELEP33-11-40-79



## ELERA Pivot Door

In & out pivot door

**10**  
year limited  
warranty

Sleek vertical handle

In & out pivoting system with 90° inward & 90° outward opening

Reversible left or right opening

Magnetic closure

5/16" (8mm) clear tempered glass

Shower door height: 79"

Chrome, Brushed Nickel & Matte Black finishes

 **FLEURCO™SEKUR<sup>+</sup>**

SAFETY PROTECTION \*  
\*5 year limited warranty

 **Microtek<sup>®</sup>**  
FLEURCO

Glass surface protection

 **FLEURCO™** [www.fleurco.com](http://www.fleurco.com)

## SAFETY PROTECTION

### WHAT IS FLEURCOSEKUR<sup>+</sup> SAFETY PROTECTION?

FLEURCOSEKUR<sup>+</sup> SAFETY PROTECTION is a transparent film bonded directly onto the glass panel by means of an adhesive to improve safety by retaining the pieces together in the event of glass breakage.

### WHAT ARE THE BENEFITS OF FLEURCOSEKUR<sup>+</sup> SAFETY PROTECTION?

FLEURCOSEKUR<sup>+</sup> SAFETY PROTECTION film provides an added layer of security for you and your family. In the event of an accident, FLEURCOSEKUR<sup>+</sup> SAFETY PROTECTION prevents the tempered glass door from shattering into thousands of pieces which could cause damage.

### HOW IS FLEURCOSEKUR<sup>+</sup> SAFETY PROTECTION APPLIED?

Application is performed by a specialized machine.

The film is always installed on the exterior side of the panels as to not affect the Microtek® coating on the interior.

### HOW DURABLE IS FLEURCOSEKUR<sup>+</sup> SAFETY PROTECTION?

FLEURCOSEKUR<sup>+</sup> SAFETY PROTECTION is very durable. It has been tested for long-term usage against chemicals and normal wear and meets the required standards.

### HOW DO I CLEAN GLASS TREATED WITH FLEURCOSEKUR<sup>+</sup> SAFETY PROTECTION?

No abrasive materials should be used in cleaning a FLEURCOSEKUR<sup>+</sup> SAFETY PROTECTION treated shower door. Cleaning with a damp cloth using a mixture of vinegar/mild soap with water is recommended.



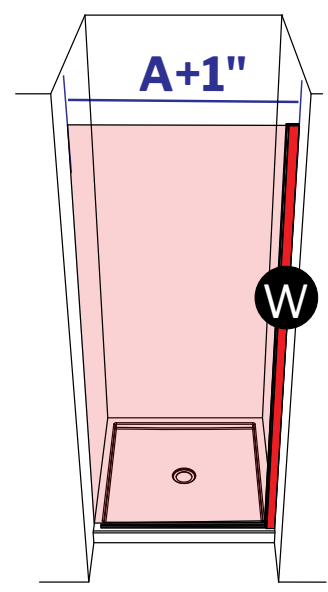
**5**  
year limited  
warranty



### SPACER 79"

Compatible with Select Kara (PKT) models

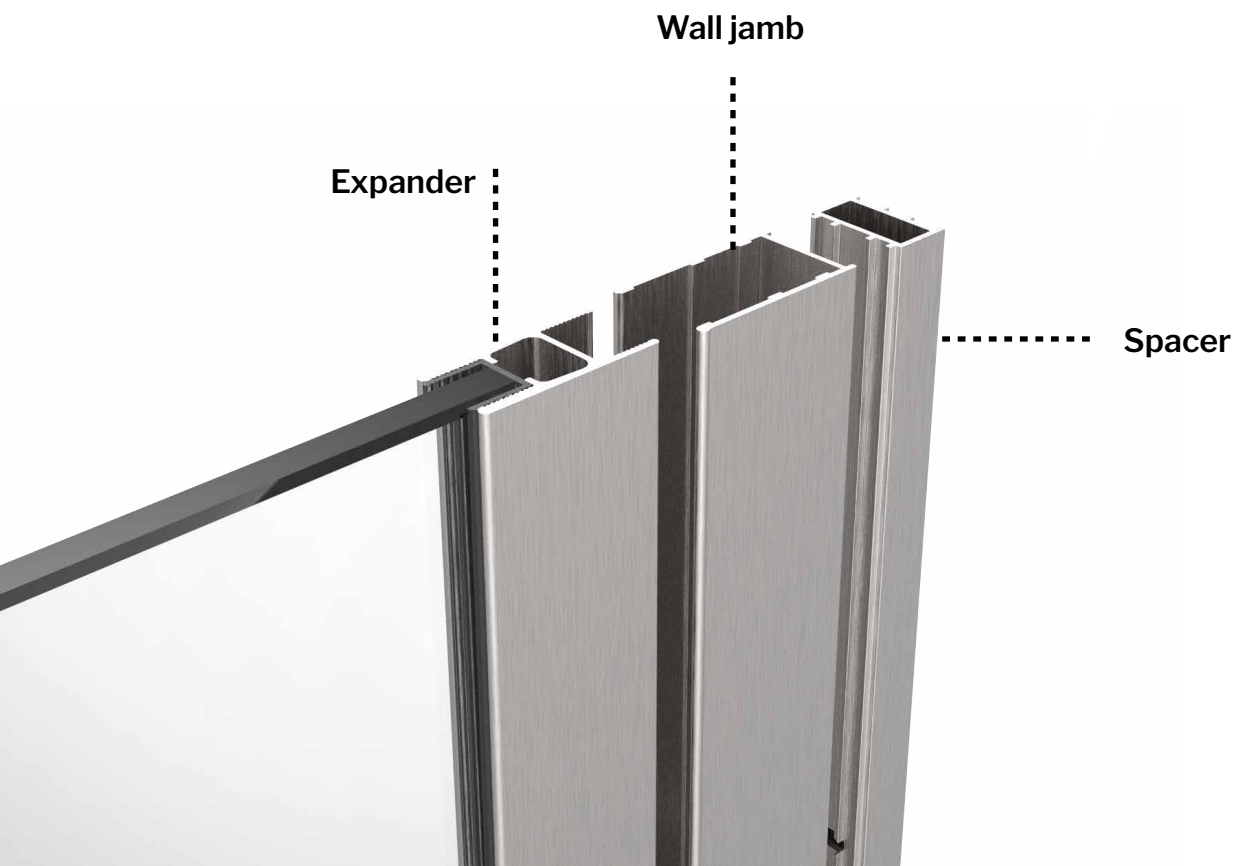
MODEL	FINISH	PRICE
PLAT-SPACER-11-79	Chrome	\$62
PLAT-SPACER-25-79	Brushed Nickel	\$69
PLAT-SPACER-33-79	Matte Black	\$69



**W WALL JAMB**

A=Finished wall opening

Maximum recommended 2 spacers per wall jamb.  
Each spacer adds 1/2" to the enclosure width.





**Fibo**

by  FLEURCO™

**WALL SYSTEMS**

**THE SMART WAY TO  
TRANSFORM YOUR WALL**



Scan here to see full collection & pricing

# PIVOT IN-LINE SHOWERS



**\*SELECT PLATINUM KARA** ..... 2-3

Wall-mount hinges  
 Sizes: 46, 57



**\*SELECT PLATINUM LEXUS**..... 4-5

Glass-to-glass hinges  
 Sizes: 45, 57



**\*PURA** ..... 6-7

Glass-to-glass hinges  
 Sizes: 39, 45, 57



NEW!



**VESPERO** ..... 8-9

In & out pivot door with fixed panel  
 Sizes: 48, 60



**ELERA** ..... 10-13

In & out pivot door with fixed panel  
 Sizes: 33, 35, 37, 39, 41, 43, 45, 47, 49, 51, 53, 55, 57, 59, 61, 63, 65, 67, 69



M Glass surface protection



See website for more information

SEKUR+ Safety Protection



See information page at the end of the section

Available finishes

- Chrome
- Brushed Nickel
- Matte Black
- Brushed Gold

Glass type

- Clear
- Smoked Grey
- Fluted

\*Without FleurcoSEKUR+ Safety Protection

FLEURCO INC. **CANADA** Tel: 1.514.326.2222 | Toll Free: 1.800.993.0033 | Fax: 1.514.326.2008 | [www.fleurco.com](http://www.fleurco.com)

FLEURCO INC. **USA EAST** Tel: 856.778.0110 | Toll Free: 1.888.568.2121 | Fax: 1.888.854.1020

FLEURCO INC. **USA SOUTHEAST** Tel: 239.401.6612 | Toll Free: 1.888.877.6008

FLEURCO INC. **USA MIDWEST** Tel: 630.607.0847 | Toll Free: 1.888.263.3651 | Fax: 331.225.2549

FLEURCO INC. **USA WEST** Tel: 562.368.8800 | Toll Free: 1.877.413.2880 | Fax: 562.368.8812

**SELECT**  
**PLATINUM**  
Kara In-line



Door and fixed panel — wall-mount hinges without FleurcoSEKUR+ Safety Protection

**3/8" (10 mm) Tempered clear glass**  
**79" Height (80 1/2" to top of "X" support bar)**

These units are reversible.

**IN-LINE 48**

46 1/4" to 47 1/4" W x 79" H (80 1/2" to top of support bar)  
Approx. entry: 23"

MODEL	FINISH	PRICE
PMKP46-11-40-79	Chrome	<b>\$1,892</b>
PMKP46-25-40-79	Brushed Nickel	<b>\$1,914</b>
PMKP46-33-40-79	Matte Black	<b>\$1,946</b>
BASE	SIZE	PRICE
ADQ3248-18	48" x 32" x 2 3/4"	<b>\$1,166</b>
ADQ3448-18	48" x 34" x 2 3/4"	<b>\$1,188</b>
ABE3648-18-11 or 25-B	48" x 36" x 3"	<b>\$2,214</b>
ADQ3648-18	48" x 36" x 2 3/4"	<b>\$925</b>
ATAS2-3648- <sub>-</sub>	48" x 36" x 1 3/8"	<b>\$1,348</b>
AU_3648-33	48" x 36" x 2 3/4"	<b>\$1,459</b>
AULV3648-18	48" x 36" x 1 1/2"*	<b>\$1,328</b>
ADT4836-18-3	48" x 36" x 3"	<b>\$793</b>
ALT4836-18-3	48" x 36" x 2 3/4"	<b>\$793</b>
AZM4836-18-11 or 25-B	48" x 36" x 1 3/8"*	<b>\$1,472</b>
ADT4842-18-3	48" x 42" x 3"	<b>\$1,261</b>

\*Unfinished height of threshold

For more information on bases, see bases booklet or [www.fleurco.com](http://www.fleurco.com)

**IN-LINE 60**

57 5/8" to 58 5/8" W x 79" H (80 1/2" to top of support bar)  
Approx. entry: 31"

MODEL	FINISH	PRICE
PMKP57-11-40-79	Chrome	<b>\$2,058</b>
PMKP57-25-40-79	Brushed Nickel	<b>\$2,087</b>
PMKP57-33-40-79	Matte Black	<b>\$2,119</b>
BASE	SIZE	PRICE
ADQ3060-18	60" x 30" x 2 3/4"	<b>\$987</b>
ABE3260-18-11 or 25-B	60" x 32" x 3"	<b>\$2,264</b>
ADQ3260-18	60" x 32" x 2 3/4"	<b>\$1,014</b>
ATAS2-3260- <sub>-</sub>	60" x 32" x 1 1/2"	<b>\$1,493</b>
AU_3260-33	60" x 32" x 2 3/4"	<b>\$1,562</b>
AULV3260-18	60" x 32" x 1 1/2"*	<b>\$1,479</b>
ABF6032-18-L3 or R3-B	60" x 32" x 2 3/4"	<b>\$1,041</b>
ADT6032-18-L3 or R3	60" x 32" x 3"	<b>\$871</b>
ALT6032-18-L3 or R3	60" x 32" x 2 3/4"	<b>\$871</b>
AZM6032-18-11 or 25-B	60" x 32" x 1 3/8"*	<b>\$1,586</b>
ADQ3460-18	60" x 34" x 2 3/4"	<b>\$1,306</b>
ABE3660-18-11 or 25-B	60" x 36" x 3"	<b>\$2,305</b>
ADQ3660-18	60" x 36" x 2 3/4"	<b>\$1,041</b>
ATAS2-3660- <sub>-</sub>	60" x 36" x 1 3/8"	<b>\$1,659</b>
AU_3660-33	60" x 36" x 2 3/4"	<b>\$1,756</b>
AULV3660-18	60" x 36" x 1 1/2"*	<b>\$1,648</b>
ABF6036-18-3-B	60" x 36" x 2 3/4"	<b>\$1,065</b>
ADT6036-18-3	60" x 36" x 3"	<b>\$896</b>
ALT6036-18-3	60" x 36" x 2 3/4"	<b>\$896</b>
AZM6036-18-11 or 25-B	60" x 36" x 1 3/8"*	<b>\$1,638</b>
ADQ4260-18	60" x 42" x 2 3/4"	<b>\$1,523</b>
ADQ4860-18	60" x 48" x 2 3/4"	<b>\$1,630</b>

\*Unfinished height of threshold

For more information on bases, see bases booklet or [www.fleurco.com](http://www.fleurco.com)

**NO DOOR OPTIONS**

<p>Reversible "L" or "R"</p> <p>L R</p>	<p>"M" Hinge</p>	<p>"A" Handle</p>	<p>"X" Support</p>
---	------------------	-------------------	--------------------



SELECT

## PLATINUM Kara In-line

Pivot door & fixed panel — wall-mount hinges

**10**  
year limited  
warranty

European style frameless door

Available with "X" support bar

Rectangular wall-mount hinges (M)

Straight handle (A)

3/8" (10mm) clear tempered glass

Shower door height: 79" (80½" to top of the "X" support bar)

Chrome, Brushed Nickel & Matte Black finishes

Custom configurations available

 **Microtek**<sup>®</sup>  
FLEURCO  
Glass surface protection

**SELECT**  
**PLATINUM** Lexus In-line



Door and fixed panel — glass-to-glass hinges without FleurcoSEKUR+ Safety Protection

**3/8" (10 mm) Tempered clear glass**  
**79" Height (80 1/2" to top of "X" support bar)**

These units are reversible.

**IN-LINE 48**

45 5/8" to 46 7/8" W x 79" H (80 1/2" to top of support bar)  
Approx. entry: 26"

MODEL	FINISH	PRICE
PMLP45-11-40-79	Chrome	<b>\$2,186</b>
PMLP45-25-40-79	Brushed Nickel	<b>\$2,230</b>
PMLP45-33-40-79	Matte Black	<b>\$2,262</b>
BASE	SIZE	PRICE
ADQ3248-18	48" x 32" x 2 3/4"	<b>\$1,166</b>
ADQ3448-18	48" x 34" x 2 3/4"	<b>\$1,188</b>
ABE3648-18-11 or 25-B	48" x 36" x 3"	<b>\$2,214</b>
ADQ3648-18	48" x 36" x 2 3/4"	<b>\$925</b>
ATAS2-3648- <u>  </u>	48" x 36" x 1 3/8"	<b>\$1,348</b>
AU_3648-33	48" x 36" x 2 3/4"	<b>\$1,459</b>
AULV3648-18	48" x 36" x 1 1/2"*	<b>\$1,328</b>
ABF4836-18-3-B	48" x 36" x 2 3/4"	<b>\$968</b>
ADT4836-18-3	48" x 36" x 3"	<b>\$793</b>
ALT4836-18-3	48" x 36" x 2 3/4"	<b>\$793</b>
AZM4836-18-11 or 25-B	48" x 36" x 1 3/8"*	<b>\$1,472</b>
ADT4842-18-3	48" x 42" x 3"	<b>\$1,261</b>

\*Unfinished height of threshold

For more information on bases, see bases booklet or [www.fleurco.com](http://www.fleurco.com)

**IN-LINE 60**

57 1/8" to 58 3/8" W x 79" H (80 1/2" to top of support bar)  
Approx. entry: 25"

MODEL	FINISH	PRICE
PMLP57-11-40-79	Chrome	<b>\$2,289</b>
PMLP57-25-40-79	Brushed Nickel	<b>\$2,330</b>
PMLP57-33-40-79	Matte Black	<b>\$2,363</b>
BASE	SIZE	PRICE
ADQ3060-18	60" x 30" x 2 3/4"	<b>\$987</b>
ABE3260-18-11 or 25-B	60" x 32" x 3"	<b>\$2,264</b>
ADQ3260-18	60" x 32" x 2 3/4"	<b>\$1,014</b>
ATAS2-3260- <u>  </u>	60" x 32" x 1 1/2"	<b>\$1,493</b>
AU_3260-33	60" x 32" x 2 3/4"	<b>\$1,562</b>
AULV3260-18	60" x 32" x 1 1/2"*	<b>\$1,479</b>
ABF6032-18-L3 or R3-B	60" x 32" x 2 3/4"	<b>\$1,041</b>
ADT6032-18-L3 or R3	60" x 32" x 3"	<b>\$871</b>
ALT6032-18-L3 or R3	60" x 32" x 2 3/4"	<b>\$871</b>
AZM6032-18-11 or 25-B	60" x 32" x 1 3/8"*	<b>\$1,586</b>
ADQ3460-18	60" x 34" x 2 3/4"	<b>\$1,306</b>
ABE3660-18-11 or 25-B	60" x 36" x 3"	<b>\$2,305</b>
ADQ3660-18	60" x 36" x 2 3/4"	<b>\$1,041</b>
ATAS2-3660- <u>  </u>	60" x 36" x 1 3/8"	<b>\$1,659</b>
AU_3660-33	60" x 36" x 2 3/4"	<b>\$1,756</b>
AULV3660-18	60" x 36" x 1 1/2"*	<b>\$1,648</b>
ABF6036-18-3-B	60" x 36" x 2 3/4"	<b>\$1,065</b>
ADT6036-18-3	60" x 36" x 3"	<b>\$896</b>
ALT6036-18-3	60" x 36" x 2 3/4"	<b>\$896</b>
AZM6036-18-11 or 25-B	60" x 36" x 1 3/8"*	<b>\$1,638</b>
ADQ4260-18	60" x 42" x 2 3/4"	<b>\$1,523</b>
ADQ4860-18	60" x 48" x 2 3/4"	<b>\$1,630</b>

\*Unfinished height of threshold

For more information on bases, see bases booklet or [www.fleurco.com](http://www.fleurco.com)

**NO DOOR OPTIONS**

<p>Reversible "L" or "R"</p> <p>L      R</p>	<p>"M" Hinge</p>	<p>"A" Handle</p>	<p>"X" Support</p>
--	------------------	-------------------	--------------------



SELECT

## PLATINUM | Lexus In-line

Pivot door & fixed panel — glass-to-glass hinges

**10**  
year limited  
warranty

European style frameless door

Available with "X" support bar

Rectangular glass-to-glass hinges (M)

Straight handle (A)

3/8" (10mm) clear tempered glass

Shower door height: 79" (80½" to top of the "X" support bar)

Chrome, Brushed Nickel & Matte Black finishes

Custom configurations available

 **Microtek**<sup>®</sup>  
FLEURCO  
Glass surface protection

# PURA In-line

Door and fixed panel — glass-to-glass hinges without FleurcoSEKUR+ Safety Protection



## 1/4" (6 mm) Tempered clear glass 75" Height (75 3/4" to top of support bar)

These units are reversible.

### IN-LINE 42

39 1/8" to 40 1/4" W x 75" H (75 3/4" to top of support bar)  
Approx. entry: 25"

MODEL	FINISH	PRICE
PJ39-11-40	Chrome	<b>\$2,213</b>
PJ39-25-40	Brushed Nickel	<b>\$2,285</b>
PJ39-33-40	Matte Black	<b>\$2,329</b>
BASE	SIZE	PRICE
ADQ3242-18	42" x 32" x 2 3/4"	<b>\$1,134</b>
ADQ3642-18	42" x 36" x 2 3/4"	<b>\$1,208</b>

For more information on bases, see bases booklet or [www.fleurco.com](http://www.fleurco.com)

### IN-LINE 48

45 1/8" to 46 1/4" W x 75" H (75 3/4" to top of support bar)  
Approx. entry: 25"

MODEL	FINISH	PRICE
PJ45-11-40	Chrome	<b>\$2,390</b>
PJ45-25-40	Brushed Nickel	<b>\$2,463</b>
PJ45-33-40	Matte Black	<b>\$2,514</b>
BASE	SIZE	PRICE
ADQ3248-18	48" x 32" x 2 3/4"	<b>\$1,166</b>
ADQ3448-18	48" x 34" x 2 3/4"	<b>\$1,188</b>
ABE3648-18-11 or 25-B	48" x 36" x 3"	<b>\$2,214</b>
ADQ3648-18	48" x 36" x 2 3/4"	<b>\$925</b>
ATAS2-3648- <u>  </u>	48" x 36" x 1 3/8"	<b>\$1,348</b>
AU_3648-33	48" x 36" x 2 3/4"	<b>\$1,459</b>
AULV3648-18	48" x 36" x 1 1/2"*	<b>\$1,328</b>
ABF4836-18-3-B	48" x 36" x 2 3/4"	<b>\$968</b>
ADT4836-18-3	48" x 36" x 3"	<b>\$793</b>
ALT4836-18-3	48" x 36" x 2 3/4"	<b>\$793</b>
AZM4836-18-11 or 25-B	48" x 36" x 1 3/8"*	<b>\$1,472</b>
ADT4842-18-3	48" x 42" x 3"	<b>\$1,261</b>

\*Unfinished height of threshold

For more information on bases, see bases booklet or [www.fleurco.com](http://www.fleurco.com)

### IN-LINE 60

57 1/8" to 58 1/4" W x 75" H (75 3/4" to top of support bar)  
Approx. entry: 25"

MODEL	FINISH	PRICE
PJ57-11-40	Chrome	<b>\$2,569</b>
PJ57-25-40	Brushed Nickel	<b>\$2,642</b>
PJ57-33-40	Matte Black	<b>\$2,697</b>
BASE	SIZE	PRICE
ADQ3060-18	60" x 30" x 2 3/4"	<b>\$987</b>
ABE3260-18-11 or 25-B	60" x 32" x 3"	<b>\$2,264</b>
ADQ3260-18	60" x 32" x 2 3/4"	<b>\$1,014</b>
ATAS2-3260- <u>  </u>	60" x 32" x 1 1/2"	<b>\$1,493</b>
AU_3260-33	60" x 32" x 2 3/4"	<b>\$1,562</b>
AULV3260-18	60" x 32" x 1 1/2"*	<b>\$1,479</b>
ABF6032-18-L3 or R3-B	60" x 32" x 2 3/4"	<b>\$1,041</b>
ADT6032-18-L3 or R3	60" x 32" x 3"	<b>\$871</b>
ALT6032-18-L3 or R3	60" x 32" x 2 3/4"	<b>\$871</b>
AZM6032-18-11 or 25-B	60" x 32" x 1 3/8"*	<b>\$1,586</b>
ADQ3460-18	60" x 34" x 2 3/4"	<b>\$1,306</b>
ABE3660-18-11 or 25-B	60" x 36" x 3"	<b>\$2,305</b>
ADQ3660-18	60" x 36" x 2 3/4"	<b>\$1,041</b>
ATAS2-3660- <u>  </u>	60" x 36" x 1 3/8"	<b>\$1,659</b>
AU_3660-33	60" x 36" x 2 3/4"	<b>\$1,756</b>
AULV3660-18	60" x 36" x 1 1/2"*	<b>\$1,648</b>
ABF6036-18-3-B	60" x 36" x 2 3/4"	<b>\$1,065</b>
ADT6036-18-3	60" x 36" x 3"	<b>\$896</b>
ALT6036-18-3	60" x 36" x 2 3/4"	<b>\$896</b>
AZM6036-18-11 or 25-B	60" x 36" x 1 3/8"*	<b>\$1,638</b>
ADQ4260-18	60" x 42" x 2 3/4"	<b>\$1,523</b>
ADQ4860-18	60" x 48" x 2 3/4"	<b>\$1,630</b>

\*Unfinished height of threshold

For more information on bases, see bases booklet or [www.fleurco.com](http://www.fleurco.com)

#### ALL DRAINS SOLD SEPARATELY

DRAIN	DESCRIPTION	FINISH	PRICE
	DRAINABS-11	ABS No-Calk 2" drain	Chrome <b>\$62</b>
	DRAINABS-25	ABS No-Calk 2" drain	Brushed Nickel <b>\$81</b>
	DRAINABS-33	ABS No-Calk 2" drain	Matte Black <b>\$116</b>
	DRAINABS-12	ABS No-Calk 2" drain	Brushed Gold <b>\$218</b>
	DRAINPVC-11	PVC No-Calk 2" drain	Chrome <b>\$62</b>
	DRAINPVC-25	PVC No-Calk 2" drain	Brushed Nickel <b>\$81</b>
	DRAINPVC-33	PVC No-Calk 2" drain	Matte Black <b>\$90</b>
	DRAINPVC-12	PVC No-Calk 2" drain	Brushed Gold <b>\$218</b>

\*Please check local codes to ensure appropriate drain specifications  
For AU (Aurora) bases, please see specialty section in the bases booklet



**PURA HINGES**

## PURA In-line

Pivot door & fixed panel — glass-to-glass hinges

**10**  
year limited  
warranty

- European style frameless door
- Reversible left or right opening
- Glass-to-glass hinges
- 1/4" (6mm) clear tempered glass
- Shower door height: 75" (75 3/4" to top of the support bar)
- Chrome, Brushed Nickel & Matte Black finishes



# VESPERO In-line

In & out pivot door & fixed panel



Glass surface protection



These units are reversible.

**1/4" (6 mm) Tempered glass**  
**79" Height (79 3/16" to top of support bar)**

## IN-LINE 48

45 1/2" to 46 1/4" W x 79" H (79 3/16" to top of support bar)  
 Approx. entry: 23"

MODEL	FINISH	GLASS	PRICE
VP48-11-40-79	Chrome	Clear	<b>\$1,068</b>
VP48-33-40-79	Matte Black	Clear	<b>\$1,098</b>
VP48-12-40-79	Brushed Gold	Clear	<b>\$1,248</b>
VP48-33-30-79	Matte Black	Smoked Grey	<b>\$1,108</b>
VP48-12-30-79	Brushed Gold	Smoked Grey	<b>\$1,268</b>
VP48-11-55-79	Chrome	Fluted	<b>\$1,128</b>
VP48-33-55-79	Matte Black	Fluted	<b>\$1,158</b>
VP48-12-55-79	Brushed Gold	Fluted	<b>\$1,308</b>

BASE	SIZE	PRICE
ADQ3248-18	48" x 32" x 2 3/4"	<b>\$1,166</b>
ADQ3448-18	48" x 34" x 2 3/4"	<b>\$1,188</b>
ABE3648-18-11 or 25-B	48" x 36" x 3"	<b>\$2,214</b>
ADQ3648-18	48" x 36" x 2 3/4"	<b>\$925</b>
ATAS2-3648- <sub>-</sub>	48" x 36" x 1 3/8"	<b>\$1,348</b>
AU_3648-33	48" x 36" x 2 3/4"	<b>\$1,459</b>
AULV3648-18	48" x 36" x 1 1/2"*	<b>\$1,328</b>
ABF4836-18-3-B	48" x 36" x 2 3/4"	<b>\$968</b>
ADT4836-18-3	48" x 36" x 3"	<b>\$793</b>
ALT4836-18-3	48" x 36" x 2 3/4"	<b>\$793</b>
AZM4836-18-11 or 25-B	48" x 36" x 1 3/8"*	<b>\$1,472</b>
ADT4842-18-3	48" x 42" x 3"	<b>\$1,261</b>

\*Unfinished height of threshold

For more information on bases, see bases booklet or [www.fleurco.com](http://www.fleurco.com)

Spacer kit includes one 3/8" spacer giving an additional 3/8" adjustment. For in-line model, spacer must be installed on the fixed panel.

### Spacer (sold separately)

MODEL	FINISH	PRICE
VSP-SPACER-11-79	Chrome	<b>\$42</b>
VSP-SPACER-33-79	Matte Black	<b>\$46</b>
VSP-SPACER-12-79	Brushed Gold	<b>\$44</b>



## IN-LINE 60

57 1/2" to 58 1/4" W x 79" H (79 3/16" to top of support bar)  
 Approx. entry: 23"

MODEL	FINISH	GLASS	PRICE
VP60-11-40-79	Chrome	Clear	<b>\$1,188</b>
VP60-33-40-79	Matte Black	Clear	<b>\$1,218</b>
VP60-12-40-79	Brushed Gold	Clear	<b>\$1,388</b>
VP60-33-30-79	Matte Black	Smoked Grey	<b>\$1,238</b>
VP60-12-30-79	Brushed Gold	Smoked Grey	<b>\$1,408</b>
VP60-11-55-79	Chrome	Fluted	<b>\$1,248</b>
VP60-33-55-79	Matte Black	Fluted	<b>\$1,278</b>
VP60-12-55-79	Brushed Gold	Fluted	<b>\$1,448</b>

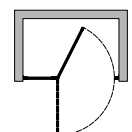
BASE	SIZE	PRICE
ADQ3060-18	60" x 30" x 2 3/4"	<b>\$987</b>
ABE3260-18-11 or 25-B	60" x 32" x 3"	<b>\$2,264</b>
ADQ3260-18	60" x 32" x 2 3/4"	<b>\$1,014</b>
ATAS2-3260- <sub>-</sub>	60" x 32" x 1 1/2"	<b>\$1,493</b>
AU_3260-33	60" x 32" x 2 3/4"	<b>\$1,562</b>
AULV3260-18	60" x 32" x 1 1/2"*	<b>\$1,479</b>
ABF6032-18-L3 or R3-B	60" x 32" x 2 3/4"	<b>\$1,041</b>
ADT6032-18-L3 or R3	60" x 32" x 3"	<b>\$871</b>
ALT6032-18-L3 or R3	60" x 32" x 2 3/4"	<b>\$871</b>
AZM6032-18-11 or 25-B	60" x 32" x 1 3/8"*	<b>\$1,586</b>
ADQ3460-18	60" x 34" x 2 3/4"	<b>\$1,306</b>
ABE3660-18-11 or 25-B	60" x 36" x 3"	<b>\$2,305</b>
ADQ3660-18	60" x 36" x 2 3/4"	<b>\$1,041</b>
ATAS2-3660- <sub>-</sub>	60" x 36" x 1 3/8"	<b>\$1,659</b>
AU_3660-33	60" x 36" x 2 3/4"	<b>\$1,756</b>
AULV3660-18	60" x 36" x 1 1/2"*	<b>\$1,648</b>
ABF6036-18-3-B	60" x 36" x 2 3/4"	<b>\$1,065</b>
ADT6036-18-3	60" x 36" x 3"	<b>\$896</b>
ALT6036-18-3	60" x 36" x 2 3/4"	<b>\$896</b>
AZM6036-18-11 or 25-B	60" x 36" x 1 3/8"*	<b>\$1,638</b>
ADQ4260-18	60" x 42" x 2 3/4"	<b>\$1,523</b>
ADQ4860-18	60" x 48" x 2 3/4"	<b>\$1,630</b>

\*Unfinished height of threshold

For more information on bases, see bases booklet or [www.fleurco.com](http://www.fleurco.com)

NOTE: Inward opening and entry can be compromised by insufficient depth of enclosure.

Call customer service for more information.





PIVOT IN-LINE SHOWERS

VESPERO

VP60-33-30-79



# VESPERO In-line

In & out pivot door & fixed panel

**NEW!**

**10**  
year limited  
warranty

Easy installation

Hidden anchoring system

1/4" (6mm) clear, smoked grey or fluted tempered glass

Shower panel heights: 79" (79 3/16" to top of the support bar)

Chrome, Matte Black & Brushed Gold finishes

**FLEURCO™SEKUR<sup>+</sup>**  
SAFETY PROTECTION \*  
\*5 year limited warranty

**Microtek<sup>®</sup>**  
FLEURCO  
Glass surface protection

# ELERA In-line

In & out pivot door with fixed panel

**5/16" (8 mm) Tempered clear glass**  
**79" Height (80" to top of support bar bracket)**

## IN-LINE 36

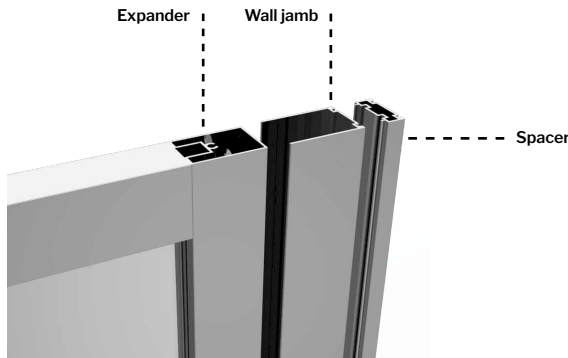
33 5/8" to 35" W x 79" H (80" to top of support bar bracket)  
 Approx. entry: 19 1/4"

MODEL	FINISH	PRICE
ELE133-11-40-79	Chrome	<b>\$1,679</b>
ELE133-25-40-79	Brushed Nickel	<b>\$1,722</b>
ELE133-33-40-79	Matte Black	<b>\$1,783</b>
BASE	SIZE	PRICE
ADC36ST-18	36" x 36" x 2 3/4"	<b>\$1,043</b>
ADQ3636-18	36" x 36" x 2 3/4"	<b>\$878</b>

For more information on bases, see bases booklet or [www.fleurco.com](http://www.fleurco.com)

**All models include support bar for max adjustment of 71 5/8".**

Spacer kit includes set of (2) 3/8" spacers giving an additional 3/4" adjustment for opening.



Spacer (sold separately)

MODEL	FINISH	PRICE
ELE-SPACER-3/8-11	Chrome	<b>\$111</b>
ELE-SPACER-3/8-25	Brushed Nickel	<b>\$117</b>
ELE-SPACER-3/8-33	Matte Black	<b>\$126</b>



Glass surface protection



These units are reversible.

## IN-LINE 42

39 5/8" to 41" W x 79" H (80" to top of support bar bracket)  
 Approx. entry: 25 1/4"

MODEL	FINISH	PRICE
ELE139-11-40-79	Chrome	<b>\$1,748</b>
ELE139-25-40-79	Brushed Nickel	<b>\$1,796</b>
ELE139-33-40-79	Matte Black	<b>\$1,854</b>
BASE	SIZE	PRICE
ADQ3242-18	42" x 32" x 2 3/4"	<b>\$1,134</b>
ADQ3642-18	42" x 36" x 2 3/4"	<b>\$1,208</b>

For more information on bases, see bases booklet or [www.fleurco.com](http://www.fleurco.com)

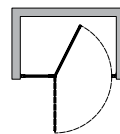
## IN-LINE 48

45 5/8" to 47" W x 79" H (80" to top of support bar bracket)  
 Approx. entry: 25 1/4"

MODEL	FINISH	PRICE
ELE145-11-40-79	Chrome	<b>\$1,798</b>
ELE145-25-40-79	Brushed Nickel	<b>\$1,846</b>
ELE145-33-40-79	Matte Black	<b>\$1,905</b>
BASE	SIZE	PRICE
ADQ3248-18	48" x 32" x 2 3/4"	<b>\$1,166</b>
ADQ3448-18	48" x 34" x 2 3/4"	<b>\$1,188</b>
ABE3648-18-11 or 25-B	48" x 36" x 3"	<b>\$2,214</b>
ADQ3648-18	48" x 36" x 2 3/4"	<b>\$925</b>
ATAS2-3648- <sub>-</sub>	48" x 36" x 1 3/8"	<b>\$1,348</b>
AU_3648-33	48" x 36" x 2 3/4"	<b>\$1,459</b>
AULV3648-18	48" x 36" x 1 1/2"*	<b>\$1,328</b>
ABF4836-18-3-B	48" x 36" x 2 3/4"	<b>\$968</b>
ADT4836-18-3	48" x 36" x 3"	<b>\$793</b>
ALT4836-18-3	48" x 36" x 2 3/4"	<b>\$793</b>
AZM4836-18-11 or 25-B	48" x 36" x 1 3/8"*	<b>\$1,472</b>
ADT4842-18-3	48" x 42" x 3"	<b>\$1,261</b>

\*Unfinished height of threshold

For more information on bases, see bases booklet or [www.fleurco.com](http://www.fleurco.com)



**NOTE:** Inward opening and entry can be compromised by insufficient depth of enclosure. Call customer service for more information.

### ALL DRAINS SOLD SEPARATELY

DRAIN	Model	Material	Finish	Price
No-Calk™ Shower Base Drain*	DRAINABS-11	ABS No-Calk 2" drain	Chrome	<b>\$62</b>
	DRAINABS-25	ABS No-Calk 2" drain	Brushed Nickel	<b>\$81</b>
	DRAINABS-33	ABS No-Calk 2" drain	Matte Black	<b>\$116</b>
	DRAINABS-12	ABS No-Calk 2" drain	Brushed Gold	<b>\$218</b>
	DRAINPVC-11	PVC No-Calk 2" drain	Chrome	<b>\$62</b>
	DRAINPVC-25	PVC No-Calk 2" drain	Brushed Nickel	<b>\$81</b>
	DRAINPVC-33	PVC No-Calk 2" drain	Matte Black	<b>\$90</b>
	DRAINPVC-12	PVC No-Calk 2" drain	Brushed Gold	<b>\$218</b>

\*Please check local codes to ensure appropriate drain specifications  
 For AU (Aurora) bases, please see specialty section in the bases booklet

# ELERA In-line

In & out pivot door with fixed panel (cont'd)

**5/16" (8 mm) Tempered clear glass**  
**79" Height (80" to top of support bar bracket)**

## IN-LINE 54

51 5/8" to 53" W x 79" H (80" to top of support bar bracket)  
 Approx. entry: 25 1/4"

MODEL	FINISH	PRICE
ELE151-11-40-79	Chrome	<b>\$1,857</b>
ELE151-25-40-79	Brushed Nickel	<b>\$1,898</b>
ELE151-33-40-79	Matte Black	<b>\$1,961</b>
BASE	SIZE	PRICE
ADT5436-18-3	54" x 36" x 3"	<b>\$1,179</b>

For more information on bases, see bases booklet or [www.fleurco.com](http://www.fleurco.com)

## IN-LINE 72

69 5/8" to 71" W x 79" H (80" to top of support bar bracket)  
 Approx. entry: 29 1/4"

MODEL	FINISH	PRICE
ELE169-11-40-79	Chrome	<b>\$2,027</b>
ELE169-25-40-79	Brushed Nickel	<b>\$2,066</b>
ELE169-33-40-79	Matte Black	<b>\$2,130</b>
BASE	SIZE	PRICE
ADQ3672-18	72" x 36" x 2 3/4"	<b>\$1,569</b>

For more information on bases, see bases booklet or [www.fleurco.com](http://www.fleurco.com)



Pivots on fixed panel, closes on wall



Pivots on wall, closes on fixed panel

ELERA In-line

MODELS AND PRICES - OPEN HERE



Glass surface protection



These units are reversible.

## IN-LINE 60

57 5/8" to 59" W x 79" H (80" to top of support bar bracket)  
 Approx. entry: 25 1/4"

MODEL	FINISH	PRICE
ELE157-11-40-79	Chrome	<b>\$1,929</b>
ELE157-25-40-79	Brushed Nickel	<b>\$1,970</b>
ELE157-33-40-79	Matte Black	<b>\$2,029</b>
BASE	SIZE	PRICE
ADQ3060-18	60" x 30" x 2 3/4"	<b>\$987</b>
ABE3260-18-11 or 25-B	60" x 32" x 3"	<b>\$2,264</b>
ADQ3260-18	60" x 32" x 2 3/4"	<b>\$1,014</b>
ATAS2-3260-	60" x 32" x 1 1/2"	<b>\$1,493</b>
AU_3260-33	60" x 32" x 2 3/4"	<b>\$1,562</b>
AULV3260-18	60" x 32" x 1 1/2"*	<b>\$1,479</b>
ABF6032-18-L3 or R3-B	60" x 32" x 2 3/4"	<b>\$1,041</b>
ADT6032-18-L3 or R3	60" x 32" x 3"	<b>\$871</b>
ALT6032-18-L3 or R3	60" x 32" x 2 3/4"	<b>\$871</b>
AZM6032-18-11 or 25-B	60" x 32" x 1 3/8"*	<b>\$1,586</b>
ADQ3460-18	60" x 34" x 2 3/4"	<b>\$1,306</b>
ABE3660-18-11 or 25-B	60" x 36" x 3"	<b>\$2,305</b>
ADQ3660-18	60" x 36" x 2 3/4"	<b>\$1,041</b>
ATAS2-3660-	60" x 36" x 1 3/8"	<b>\$1,659</b>
AU_3660-33	60" x 36" x 2 3/4"	<b>\$1,756</b>
AULV3660-18	60" x 36" x 1 1/2"*	<b>\$1,648</b>
ABF6036-18-3-B	60" x 36" x 2 3/4"	<b>\$1,065</b>
ADT6036-18-3	60" x 36" x 3"	<b>\$896</b>
ALT6036-18-3	60" x 36" x 2 3/4"	<b>\$896</b>
AZM6036-18-11 or 25-B	60" x 36" x 1 3/8"*	<b>\$1,638</b>
ADQ4260-18	60" x 42" x 2 3/4"	<b>\$1,523</b>
ADQ4860-18	60" x 48" x 2 3/4"	<b>\$1,630</b>

\*Unfinished height of threshold

For more information on bases, see bases booklet or [www.fleurco.com](http://www.fleurco.com)

### ALL DRAINS SOLD SEPARATELY

DRAIN	Material	Finish	Price
DRAINABS-11	ABS No-Calk 2" drain	Chrome	<b>\$62</b>
DRAINABS-25	ABS No-Calk 2" drain	Brushed Nickel	<b>\$81</b>
DRAINABS-33	ABS No-Calk 2" drain	Matte Black	<b>\$116</b>
DRAINABS-12	ABS No-Calk 2" drain	Brushed Gold	<b>\$218</b>
DRAINPVC-11	PVC No-Calk 2" drain	Chrome	<b>\$62</b>
DRAINPVC-25	PVC No-Calk 2" drain	Brushed Nickel	<b>\$81</b>
DRAINPVC-33	PVC No-Calk 2" drain	Matte Black	<b>\$90</b>
DRAINPVC-12	PVC No-Calk 2" drain	Brushed Gold	<b>\$218</b>

\*Please check local codes to ensure appropriate drain specifications  
 For AU (Aurora) bases, please see specialty section in the bases booklet

# ELERA In-line

In & out pivot door with fixed panel (cont'd)

**5/16" (8 mm) Tempered clear glass**  
**79" Height (80" to top of support bar bracket)**



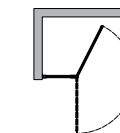
Glass surface protection



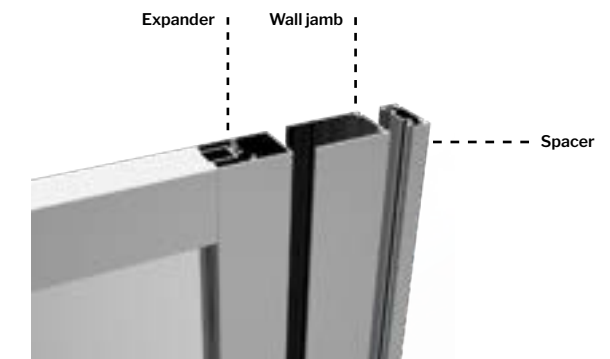
These units are reversible.

OPENING SIZE	APPROX. ENTRY	MODEL	PRICE		
			CHROME (11)	BRUSHED NICKEL (25)	MATTE BLACK (33)
35 5/8" to 37" W	21 1/4"	ELE135- <b>F</b> -40-79	<b>\$1,696</b>	<b>\$1,738</b>	<b>\$1,800</b>
37 5/8" to 39" W	23 1/4"	ELE137-__-40-79	<b>\$1,712</b>	<b>\$1,755</b>	<b>\$1,818</b>
41 5/8" to 43" W	21 1/4"	ELE141-__-40-79	<b>\$1,765</b>	<b>\$1,812</b>	<b>\$1,871</b>
43 5/8" to 45" W	23 1/4"	ELE143-__-40-79	<b>\$1,781</b>	<b>\$1,829</b>	<b>\$1,889</b>
47 5/8" to 49" W	27 1/4"	ELE147-__-40-79	<b>\$1,815</b>	<b>\$1,864</b>	<b>\$1,921</b>
49 5/8" to 51" W	23 1/4"	ELE149-__-40-79	<b>\$1,840</b>	<b>\$1,881</b>	<b>\$1,945</b>
53 5/8" to 55" W	21 1/4"	ELE153-__-40-79	<b>\$1,896</b>	<b>\$1,936</b>	<b>\$1,995</b>
55 5/8" to 57" W	23 1/4"	ELE155-__-40-79	<b>\$1,912</b>	<b>\$1,953</b>	<b>\$2,013</b>
59 5/8" to 61" W	27 1/4"	ELE159-__-40-79	<b>\$1,946</b>	<b>\$1,988</b>	<b>\$2,045</b>
61 5/8" to 63" W	21 1/4"	ELE161-__-40-79	<b>\$1,959</b>	<b>\$1,998</b>	<b>\$2,063</b>
63 5/8" to 65" W	23 1/4"	ELE163-__-40-79	<b>\$1,975</b>	<b>\$2,015</b>	<b>\$2,081</b>
65 5/8" to 67" W	25 1/4"	ELE165-__-40-79	<b>\$1,992</b>	<b>\$2,032</b>	<b>\$2,097</b>
67 5/8" to 69" W	27 1/4"	ELE167-__-40-79	<b>\$2,009</b>	<b>\$2,050</b>	<b>\$2,113</b>

All models include support bar for max adjustment of 71 5/8".



NOTE: Inward opening and entry can be compromised by insufficient depth of enclosure.  
 Call customer service for more information.



Spacer kit includes set of (2) 3/8" spacers giving an additional 3/4" adjustment for opening.

### Spacer (sold separately)

MODEL	FINISH	PRICE
ELE-SPACER-3/8-11	Chrome	<b>\$111</b>
ELE-SPACER-3/8-25	Brushed Nickel	<b>\$117</b>
ELE-SPACER-3/8-33	Matte Black	<b>\$126</b>

PIVOT IN-LINE SHOWERS

ELERA



PIVOT IN-LINE SHOWERS

ELERA

ELE157-11-40-79

## ELERA In-line

In & out pivot door with fixed panel

10

year limited warranty

Sleek vertical handle

In & out pivoting system with 90° inward & 90° outward opening

Reversible left or right door installation on wall or fixed panel

Magnetic closure

5/16" (8mm) clear tempered glass

Shower door height: 79" (80" to top of support bar bracket)

Chrome, Brushed Nickel & Matte Black finishes



# FLEURCO™ SEKUR<sup>+</sup>

SAFETY PROTECTION

## WHAT IS FLEURCOSEKUR<sup>+</sup> SAFETY PROTECTION?

FLEURCOSEKUR<sup>+</sup> SAFETY PROTECTION is a transparent film bonded directly onto the glass panel by means of an adhesive to improve safety by retaining the pieces together in the event of glass breakage.

## WHAT ARE THE BENEFITS OF FLEURCOSEKUR<sup>+</sup> SAFETY PROTECTION?

FLEURCOSEKUR<sup>+</sup> SAFETY PROTECTION film provides an added layer of security for you and your family. In the event of an accident, FLEURCOSEKUR<sup>+</sup> SAFETY PROTECTION prevents the tempered glass door from shattering into thousands of pieces which could cause damage.

## HOW IS FLEURCOSEKUR<sup>+</sup> SAFETY PROTECTION APPLIED?

Application is performed by a specialized machine.

The film is always installed on the exterior side of the panels as to not affect the Microtek® coating on the interior.

## HOW DURABLE IS FLEURCOSEKUR<sup>+</sup> SAFETY PROTECTION?

FLEURCOSEKUR<sup>+</sup> SAFETY PROTECTION is very durable. It has been tested for long-term usage against chemicals and normal wear and meets the required standards.

## HOW DO I CLEAN GLASS TREATED WITH FLEURCOSEKUR<sup>+</sup> SAFETY PROTECTION?

No abrasive materials should be used in cleaning a FLEURCOSEKUR<sup>+</sup> SAFETY PROTECTION treated shower door. Cleaning with a damp cloth using a mixture of vinegar/mild soap with water is recommended.



5  
year limited warranty



Shattered glass maintains structure with FLEURCOSEKUR<sup>+</sup> SAFETY PROTECTION film

### SPACER 75"

Compatible with Pura (PJ) models

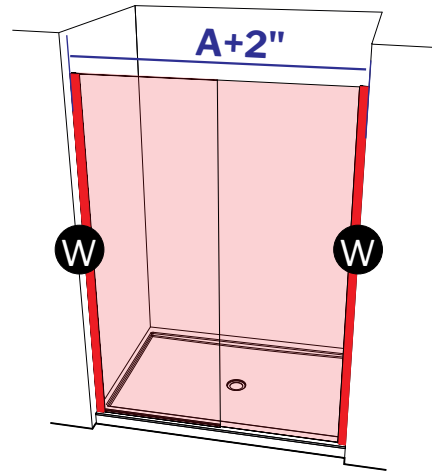
MODEL	FINISH	PRICE
PLAT-SPACER-11-75	Chrome	\$58
PLAT-SPACER-25-75	Brushed Nickel	\$60
PLAT-SPACER-33-75	Matte Black	\$60

### SPACER 79"

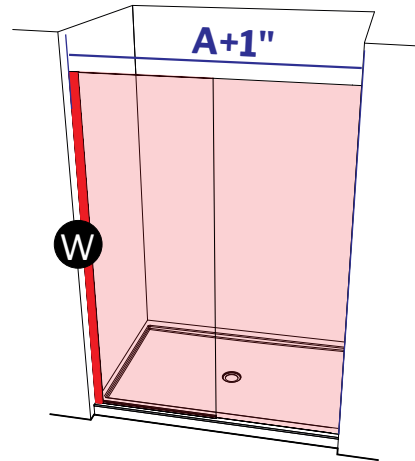
Compatible with Select Kara (PMKP)  
& Select Lexus (PMLP) models

MODEL	FINISH	PRICE
PLAT-SPACER-11-79	Chrome	\$62
PLAT-SPACER-25-79	Brushed Nickel	\$69
PLAT-SPACER-33-79	Matte Black	\$69

Pura (PJ) & Select Lexus (PMLP)



Select Kara (PMKP)



### W WALL JAMB

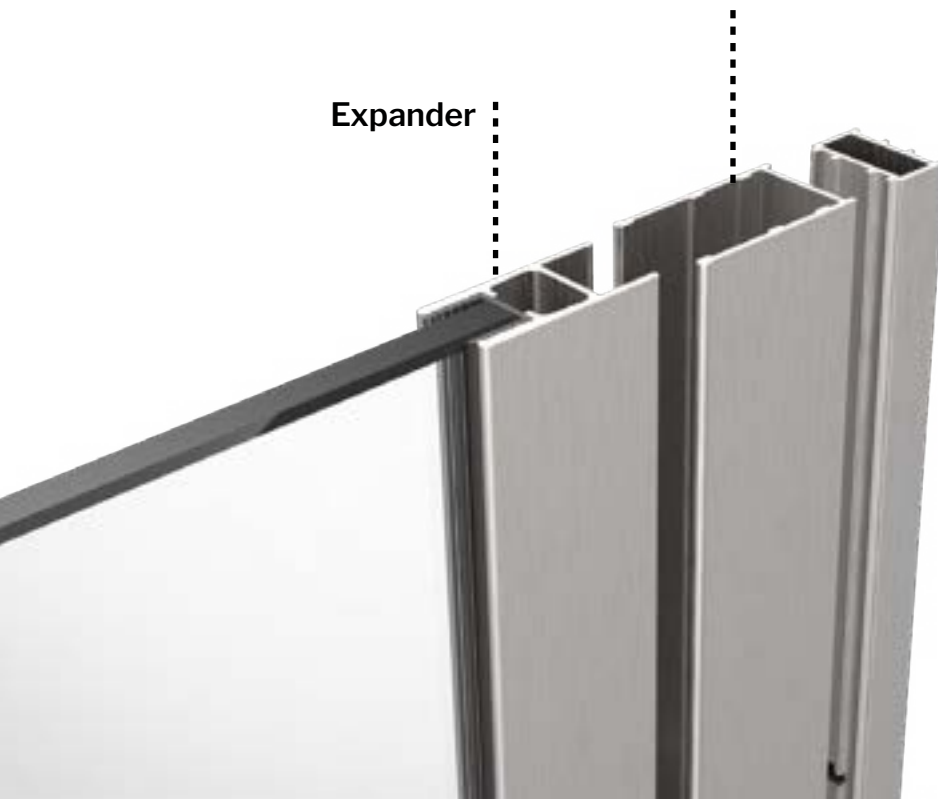
A=Finished wall opening

Maximum recommended 2 spacers per wall jamb.  
Each spacer adds 1/2" to the enclosure width.

Wall jamb

Expander

Spacer





**Fibo**

by  FLEURCO™

**WALL SYSTEMS**

**THE SMART WAY TO  
TRANSFORM YOUR WALL**



Scan here to see full collection & pricing

# PIVOT 2 SIDED SHOWERS



**\*SELECT PLATINUM LEXUS..... 2-3**  
 Door & fixed panel with return panel — glass-to-glass hinges  
 Sizes: 47, 59

CRP M ●●● C



**\*PURA..... 4-5**  
 Door & fixed panel with return panel — glass-to-glass hinges  
 Sizes: 4136, 4736, 5936

CRP M ●●● C

NEW!



**VESPERO..... 6-7**  
 In & out pivot door & fixed panel with return panel  
 Sizes: 48, 60

M SEKUR+ ●●● C SG F



**ELERA..... 8-11**  
 In & out pivot door with fixed panel & return panel  
 Sizes: 33, 35, 37, 39, 41, 43, 45, 47, 49, 51, 53, 55, 57, 59, 61, 63, 65, 67, 69

CRP CW M SEKUR+ ●●● C

CRP  
 Closes against  
 return panel

CW  
 Closes against  
 wall

M Glass surface protection



See website for more  
 information

SEKUR+ Safety Protection



See information page at the  
 end of the section

Available finishes

- Chrome
- Brushed Nickel
- Matte Black
- Brushed Gold

Glass type

- C Clear
- SG Smoked Grey
- F Fluted

\*Without FleurcoSEKUR+ Safety Protection

FLEURCO INC. **CANADA** Tel: 1.514.326.2222 | Toll Free: 1.800.993.0033 | Fax: 1.514.326.2008 | [www.fleurco.com](http://www.fleurco.com)

FLEURCO INC. **USA EAST** Tel: 856.778.0110 | Toll Free: 1.888.568.2121 | Fax: 1.888.854.1020

FLEURCO INC. **USA SOUTHEAST** Tel: 239.401.6612 | Toll Free: 1.888.877.6008

FLEURCO INC. **USA MIDWEST** Tel: 630.607.0847 | Toll Free: 1.888.263.3651 | Fax: 331.225.2549

FLEURCO INC. **USA WEST** Tel: 562.368.8800 | Toll Free: 1.877.413.2880 | Fax: 562.368.8812

**SELECT**  
**PLATINUM** Lexus 2 Sided **CRP**



Door and fixed panel with return panel – glass-to-glass hinges without FleurcoSEKUR+ Safety Protection

These units are reversible.  
(Closes against return panel only)

**3/8" (10 mm) Tempered clear glass**  
**79" Height (80 1/2" to top of "X" support bar)**

**RP** You must indicate your return panel size **32"**, **36"**, **42"** or **48"** in the "RP" field

**IN-LINE 48 WITH RETURN PANEL**

45 1/2" to 46" W x 79" H (80 1/2" to top of support bar) · Approx. entry: 25"

MODEL	FINISH	PRICE				BASE	SIZE	PRICE
		32"	36"	42"	48"			
PMLR47 <b>RP</b> -11-40-79	Chrome	\$3,411	\$3,394	\$3,521	\$3,581	ADQ3248-18	48" x 32" x 2 3/4"	\$1,166
PMLR47 __ -25-40-79	Brushed Nickel	\$3,493	\$3,541	\$3,606	\$3,665	ABE3648-18-11 or 25-B	48" x 36" x 3"	\$2,214
PMLR47 __ -33-40-79	Matte Black	\$3,534	\$3,581	\$3,644	\$3,711	ADQ3648-18	48" x 36" x 2 3/4"	\$925
						ATAS2-3648-__	48" x 36" x 1 3/8"	\$1,348
						AU_3648-33	48" x 36" x 2 3/4"	\$1,459
						AULV3648-18	48" x 36" x 1 1/2"*	\$1,328
						ADT4836-18-L2 or R2	48" x 36" x 3"	\$1,100
						ADTC4836-18-L2 or R2	48" x 36" x 3"	\$1,100
						ALT4836-18-L2 or R2	48" x 36" x 2 3/4"	\$793
						ADT4842-18-L2 or R2	48" x 42" x 3"	\$1,261

\*Unfinished height of threshold

For more information on bases, see bases booklet or [www.fleurco.com](http://www.fleurco.com)

**IN-LINE 60 WITH RETURN PANEL**

57 1/2" to 58" W x 79" H (80 1/2" to top of support bar) · Approx. entry: 25"

MODEL	FINISH	PRICE				BASE	SIZE	PRICE
		32"	36"	42"	48"			
PMLR59 <b>RP</b> -11-40-79	Chrome	\$3,514	\$3,561	\$3,623	\$3,684	ABE3260-18-11 or 25-B	60" x 32" x 3"	\$2,264
PMLR59 __ -25-40-79	Brushed Nickel	\$3,593	\$3,641	\$3,704	\$3,765	ADQ3260-18	60" x 32" x 2 3/4"	\$1,014
PMLR59 __ -33-40-79	Matte Black	\$3,635	\$3,683	\$3,745	\$3,779	ATAS2-3260-__	60" x 32" x 1 1/2"	\$1,493
						AU_3260-33	60" x 32" x 2 3/4"	\$1,562
						AULV3260-18	60" x 32" x 1 1/2"*	\$1,479
						ABE3660-18-11 or 25-B	60" x 36" x 3"	\$2,305
						ADQ3660-18	60" x 36" x 2 3/4"	\$1,041
						ATAS2-3660-__	60" x 36" x 1 3/8"	\$1,659
						AU_3660-33	60" x 36" x 2 3/4"	\$1,756
						AULV3660-18	60" x 36" x 1 1/2"*	\$1,648
						ADT6036-18-L2 or R2	60" x 36" x 3"	\$1,261
						ADTC6036-18-L2 or R2	60" x 36" x 3"	\$1,261
						ALT6036-18-L2 or R2	60" x 36" x 2 3/4"	\$1,261
						ADQ4260-18	60" x 42" x 2 3/4"	\$1,523
						ADQ4860-18	60" x 48" x 2 3/4"	\$1,630

\*Unfinished height of threshold

For more information on bases, see bases booklet or [www.fleurco.com](http://www.fleurco.com)

**ALL DRAINS SOLD SEPARATELY**

DRAIN No-Calk™ Shower Base Drain*	Image	DRAINABS-11		DRAINABS-25		DRAINABS-33		DRAINABS-12		DRAINPVC-11		DRAINPVC-25		DRAINPVC-33		DRAINPVC-12									
		ABS No-Calk 2" drain	Chrome	\$62	ABS No-Calk 2" drain	Brushed Nickel	\$81	ABS No-Calk 2" drain	Matte Black	\$116	ABS No-Calk 2" drain	Brushed Gold	\$218	PVC No-Calk 2" drain	Chrome	\$62	PVC No-Calk 2" drain	Brushed Nickel	\$81	PVC No-Calk 2" drain	Matte Black	\$90	PVC No-Calk 2" drain	Brushed Gold	\$218

\*Please check local codes to ensure appropriate drain specifications  
For AU (Aurora) bases, please see specialty section in the bases booklet

**NO DOOR OPTIONS**

<p>Reversible "L" or "R"</p> <p>L R</p>	<p>"M" Hinge</p>	<p>"A" Handle</p>	<p>"X" Support</p>
---	------------------	-------------------	--------------------

RETURN PANELS
32" RP = 29 3/4" to 30 1/4"
36" RP = 33 1/8" to 33 5/8"
42" RP = 39 1/8" to 39 5/8"
48" RP = 45 3/4" to 46 1/4"

Custom configurations are available.  
Contact customer service for more information.



SELECT

## PLATINUM | Lexus 2 Sided

Door & fixed panel with return panel — glass-to-glass hinges

**10**  
year limited  
warranty

European style frameless door

Available with "X" support bar

Rectangular glass-to-glass hinges (M)

Straight handle (A)

3/8" (10mm) clear tempered glass

Shower door height: 79" (80 1/2" to top of the "X" support bar)

Chrome, Brushed Nickel & Matte Black finishes

Custom configurations available

 **Microtek**<sup>®</sup>  
FLEURCO  
Glass surface protection

# PURA 2 Sided CRP

Door and fixed panel with return panel — glass-to-glass hinges without FleurcoSEKUR+ Safety Protection



## 1/4" (6 mm) Tempered clear glass 75" Height (75 3/4" to top of support bar)

These units are reversible.  
(Closes against return panel only)

### IN-LINE 42 WITH 36" RETURN PANEL

39 3/8" to 39 7/8" W x 75" H (75 3/4" to top of support bar)  
Approx. entry: 25"

MODEL	FINISH	PRICE
PJR4136-11-40	Chrome	<b>\$2,699</b>
PJR4136-25-40	Brushed Nickel	<b>\$2,770</b>
PJR4136-33-40	Matte Black	<b>\$2,826</b>
BASE	SIZE	PRICE
ADQ3642-18	42" x 36" x 2 3/4"	<b>\$1,208</b>

For more information on bases, see bases booklet or [www.fleurco.com](http://www.fleurco.com)

### IN-LINE 60 WITH 36" RETURN PANEL

57 3/8" to 57 7/8" W x 75" H (75 3/4" to top of support bar)  
Approx. entry: 25"

MODEL	FINISH	PRICE
PJR5936-11-40	Chrome	<b>\$3,123</b>
PJR5936-25-40	Brushed Nickel	<b>\$3,195</b>
PJR5936-33-40	Matte Black	<b>\$3,260</b>
BASE	SIZE	PRICE
ABE3660-18-11 or 25-B	60" x 36" x 3"	<b>\$2,305</b>
ADQ3660-18	60" x 36" x 2 3/4"	<b>\$1,041</b>
ATAS2-3660-	60" x 36" x 1 3/8"	<b>\$1,659</b>
AU_3660-33	60" x 36" x 2 3/4"	<b>\$1,756</b>
AULV3660-18	60" x 36" x 1 1/2"*	<b>\$1,648</b>
ADT6036-18-L2 or R2	60" x 36" x 3"	<b>\$1,261</b>
ADTC6036-18-L2 or R2	60" x 36" x 3"	<b>\$1,261</b>
ALT6036-18-L2 or R2	60" x 36" x 2 3/4"	<b>\$1,261</b>

\*Unfinished height of threshold

For more information on bases, see bases booklet or [www.fleurco.com](http://www.fleurco.com)

### IN-LINE 48 WITH 36" RETURN PANEL

45 3/8" to 45 7/8" W x 75" H (75 3/4" to top of support bar)  
Approx. entry: 25"

MODEL	FINISH	PRICE
PJR4736-11-40	Chrome	<b>\$2,911</b>
PJR4736-25-40	Brushed Nickel	<b>\$2,983</b>
PJR4736-33-40	Matte Black	<b>\$3,042</b>
BASE	SIZE	PRICE
ABE3648-18-11 or 25-B	48" x 36" x 3"	<b>\$2,214</b>
ADQ3648-18	48" x 36" x 2 3/4"	<b>\$925</b>
ATAS2-3648-	48" x 36" x 1 3/8"	<b>\$1,348</b>
AU_3648-33	48" x 36" x 2 3/4"	<b>\$1,459</b>
AULV3648-18	48" x 36" x 1 1/2"*	<b>\$1,328</b>
ADT4836-18-L2 or R2	48" x 36" x 3"	<b>\$1,100</b>
ADTC4836-18-L2 or R2	48" x 36" x 3"	<b>\$1,100</b>
ALT4836-18-L2 or R2	48" x 36" x 2 3/4"	<b>\$793</b>

\*Unfinished height of threshold

For more information on bases, see bases booklet or [www.fleurco.com](http://www.fleurco.com)

### ALL DRAINS SOLD SEPARATELY

DRAIN No-Calk™ Shower Base Drain*		ABS No-Calk 2" drain		PVC No-Calk 2" drain	
		Model	Price	Model	Price
		DRAINABS-11	Chrome	DRAINPVC-11	\$62
		DRAINABS-25	Brushed Nickel	DRAINPVC-25	\$81
		DRAINABS-33	Matte Black	DRAINPVC-33	\$116
		DRAINABS-12	Brushed Gold	DRAINPVC-12	\$218

\*Please check local codes to ensure appropriate drain specifications  
For AU (Aurora) bases, please see specialty section in the bases booklet

RETURN PANEL
36" RP = 33 1/8" to 33 5/8"



PURA HINGES

## PURA 2 Sided

Pivot door & fixed panel with return panel — glass-to-glass hinges

**10**  
year limited  
warranty

- European style frameless door
- Reversible left or right opening
- Glass-to-glass hinges
- 1/4" (6mm) clear tempered glass
- Shower door height: 75" (75 3/4" to top of the support bar)
- Chrome, Brushed Nickel & Matte Black finishes

 **Microtek**<sup>®</sup>  
FLEURCO  
Glass surface protection

# VESPERO 2 Sided

In & out pivo door with fixed panel & return panel



Glass surface protection



**1/4" (6 mm) Tempered glass**  
**79" Height (79 3/16" to top of support bar)**

## IN-LINE 48 WITH 36" RETURN PANEL

46 1/4" to 46 3/4" W (the range is to the exterior of the frame)  
 79" H (79 3/16" to top of support bar)  
 Approx. entry: 23"

MODEL	FINISH	GLASS	PRICE
VP4836-11-40-79	Chrome	Clear	<b>\$1,436</b>
VP4836-33-40-79	Matte Black	Clear	<b>\$1,476</b>
VP4836-12-40-79	Brushed Gold	Clear	<b>\$1,686</b>
VP4836-33-30-79	Matte Black	Smoked Grey	<b>\$1,526</b>
VP4836-12-30-79	Brushed Gold	Smoked Grey	<b>\$1,746</b>
VP4836-11-55-79	Chrome	Fluted	<b>\$1,536</b>
VP4836-33-55-79	Matte Black	Fluted	<b>\$1,576</b>
VP4836-12-55-79	Brushed Gold	Fluted	<b>\$1,786</b>

BASE	SIZE	PRICE
ABE3648-18-11 or 25-B	48" x 36" x 3"	<b>\$2,214</b>
ADQ3648-18	48" x 36" x 2 3/4"	<b>\$925</b>
ATAS2-3648-	48" x 36" x 1 3/8"	<b>\$1,348</b>
AU_3648-33	48" x 36" x 2 3/4"	<b>\$1,459</b>
AULV3648-18	48" x 36" x 1 1/2"*	<b>\$1,328</b>
ADT4836-18-L2 or R2	48" x 36" x 3"	<b>\$1,100</b>
ADTC4836-18-L2 or R2	48" x 36" x 3"	<b>\$1,100</b>
ALT4836-18-L2 or R2	48" x 36" x 2 3/4"	<b>\$793</b>

\*Unfinished height of threshold

For more information on bases, see bases booklet or [www.fleurco.com](http://www.fleurco.com)

## IN-LINE 60 WITH 36" RETURN PANEL

58 1/4" to 58 3/4" W (the range is to the exterior of the frame)  
 79" H (79 3/16" to top of support bar)  
 Approx. entry: 23"

MODEL	FINISH	GLASS	PRICE
VP6036-11-40-79	Chrome	Clear	<b>\$1,556</b>
VP6036-33-40-79	Matte Black	Clear	<b>\$1,606</b>
VP6036-12-40-79	Brushed Gold	Clear	<b>\$1,826</b>
VP6036-33-30-79	Matte Black	Smoked Grey	<b>\$1,646</b>
VP6036-12-30-79	Brushed Gold	Smoked Grey	<b>\$1,876</b>
VP6036-11-55-79	Chrome	Fluted	<b>\$1,656</b>
VP6036-33-55-79	Matte Black	Fluted	<b>\$1,706</b>
VP6036-12-55-79	Brushed Gold	Fluted	<b>\$1,926</b>

BASE	SIZE	PRICE
ABE3660-18-11 or 25-B	60" x 36" x 3"	<b>\$2,305</b>
ADQ3660-18	60" x 36" x 2 3/4"	<b>\$1,041</b>
ATAS2-3660-	60" x 36" x 1 3/8"	<b>\$1,659</b>
AU_3660-33	60" x 36" x 2 3/4"	<b>\$1,756</b>
AULV3660-18	60" x 36" x 1 1/2"*	<b>\$1,648</b>
ADT6036-18-L2 or R2	60" x 36" x 3"	<b>\$1,261</b>
ADTC6036-18-L2 or R2	60" x 36" x 3"	<b>\$1,261</b>
ALT6036-18-L2 or R2	60" x 36" x 2 3/4"	<b>\$1,261</b>

\*Unfinished height of threshold

For more information on bases, see bases booklet or [www.fleurco.com](http://www.fleurco.com)

### RETURN PANEL

36" RP = 34" to 34 3/8"\*  
 \*34 3/4" with spacer

Spacer kit includes one 3/8" spacer giving an additional 3/8" adjustment. For 2 sided model, the spacer can be installed on the return panel only and cannot be used to adjust the front width.

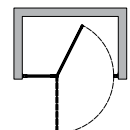
Spacer (sold separately)

MODEL	FINISH	PRICE
VSP-SPACER-11-79	Chrome	<b>\$42</b>
VSP-SPACER-33-79	Matte Black	<b>\$46</b>
VSP-SPACER-12-79	Brushed Gold	<b>\$44</b>



NOTE: Inward opening and entry can be compromised by insufficient depth of enclosure.

Call customer service for more information.





PIVOT 2 SIDED SHOWERS

VESPERO

VP6036-12-40-79



# VESPERO

In & out pivot door with fixed panel & return panel



**10**  
year limited  
warranty

Easy installation

Hidden anchoring system

1/4" (6mm) clear, smoked grey or fluted glass

Shower panel heights: 79" (79 3/16" to top of the support bar)

Chrome, Matte Black & Brushed Gold finishes

**FLEURCO™SEKUR<sup>+</sup>**  
SAFETY PROTECTION \*  
\*5 year limited warranty

**Microtek<sup>®</sup>**  
FLEURCO  
Glass surface protection

# ELERA 2 Sided CRP CW

In & out pivot door with fixed panel & return panel

**5/16" (8 mm) Tempered clear glass**  
**79" Height (80" to top of support bar bracket)**

**RP** You must indicate your return panel size **32"**, **36"**, **42"** or **48"** in the "RP" field



Glass surface protection



These units are reversible.  
 (Closes on return panel,  
 fixed panel or wall)

## IN-LINE 36 WITH RETURN PANEL

33 5/16" to 33 15/16" W x 79" H (80" to top of support bar bracket)  
 Approx. entry: 19 1/4"

MODEL	FINISH	PRICE			
		32"	36"	42"	48"
ELE233 <b>RP</b> -11-40-79	Chrome	\$2,544	\$2,597	\$2,665	\$2,737
ELE233 __ -25-40-79	Brushed Nickel	\$2,614	\$2,664	\$2,736	\$2,803
ELE233 __ -33-40-79	Matte Black	\$2,699	\$2,754	\$2,821	\$2,891

BASE	SIZE	PRICE
ALC36-18-B	36" x 36" x 2"	<b>\$1,188</b>
ADQ3636-18	36" x 36" x 2 3/4"	<b>\$878</b>
ADQ3642-18	42" x 36" x 2 3/4"	<b>\$1,208</b>
ABE3648-18-11 or 25-B	48" x 36" x 3"	<b>\$2,214</b>
ADQ3648-18	48" x 36" x 2 3/4"	<b>\$925</b>
ATAS2-3648-__	48" x 36" x 1 3/8"	<b>\$1,348</b>
AU_3648-33	48" x 36" x 2 3/4"	<b>\$1,459</b>
AULV3648-18	48" x 36" x 1 1/2"*	<b>\$1,328</b>
ADT4836-18-L2 or R2	48" x 36" x 3"	<b>\$1,100</b>
ADTC4836-18-L2 or R2	48" x 36" x 3"	<b>\$1,100</b>
ALT4836-18-L2 or R2	48" x 36" x 2 3/4"	<b>\$793</b>

\*Unfinished height of threshold

For more information on bases, see bases booklet or [www.fleurco.com](http://www.fleurco.com)

## IN-LINE 42 WITH RETURN PANEL

39 5/16" to 39 15/16" W x 79" H (80" to top of support bar bracket)  
 Approx. entry: 25 1/4"

MODEL	FINISH	PRICE			
		32"	36"	42"	48"
ELE239 <b>RP</b> -11-40-79	Chrome	\$2,613	\$2,666	\$2,734	\$2,806
ELE239 __ -25-40-79	Brushed Nickel	\$2,688	\$2,738	\$2,810	\$2,877
ELE239 __ -33-40-79	Matte Black	\$2,770	\$2,825	\$2,892	\$2,962

BASE	SIZE	PRICE
ADQ3242-18	42" x 32" x 2 3/4"	<b>\$1,134</b>
ADQ3642-18	42" x 36" x 2 3/4"	<b>\$1,208</b>
ALC42-18-B	42" x 42" x 2"	<b>\$1,324</b>

For more information on bases, see bases booklet or [www.fleurco.com](http://www.fleurco.com)

## IN-LINE 48 WITH RETURN PANEL

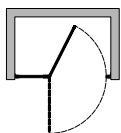
45 5/16" to 45 15/16" W x 79" H (80" to top of support bar bracket)  
 Approx. entry: 25 1/4"

MODEL	FINISH	PRICE			
		32"	36"	42"	48"
ELE245 <b>RP</b> -11-40-79	Chrome	\$2,663	\$2,716	\$2,784	\$2,856
ELE245 __ -25-40-79	Brushed Nickel	\$2,738	\$2,788	\$2,860	\$2,927
ELE245 __ -33-40-79	Matte Black	\$2,821	\$2,876	\$2,943	\$3,013

BASE	SIZE	PRICE
ADQ3248-18	48" x 32" x 2 3/4"	<b>\$1,166</b>
ABE3648-18-11 or 25-B	48" x 36" x 3"	<b>\$2,214</b>
ADQ3648-18	48" x 36" x 2 3/4"	<b>\$925</b>
ATAS2-3648-__	48" x 36" x 1 3/8"	<b>\$1,348</b>
AU_3648-33	48" x 36" x 2 3/4"	<b>\$1,459</b>
AULV3648-18	48" x 36" x 1 1/2"*	<b>\$1,328</b>
ADT4836-18-L2 or R2	48" x 36" x 3"	<b>\$1,100</b>
ADTC4836-18-L2 or R2	48" x 36" x 3"	<b>\$1,100</b>
ALT4836-18-L2 or R2	48" x 36" x 2 3/4"	<b>\$1,100</b>
ADT4842-18-L2 or R2	48" x 42" x 3"	<b>\$1,261</b>

\*Unfinished height of threshold

For more information on bases, see bases booklet or [www.fleurco.com](http://www.fleurco.com)



NOTE: Inward opening and entry can be compromised by insufficient depth of enclosure.

Call customer service for more information.

**All models include support bar for max adjustment of 71 5/8".**

Spacer (sold separately)

MODEL	FINISH	PRICE
ELE-SPACER-3/8-11	Chrome	<b>\$111</b>
ELE-SPACER-3/8-25	Brushed Nickel	<b>\$117</b>
ELE-SPACER-3/8-33	Matte Black	<b>\$126</b>

RETURN PANELS	
32" RP = 29 1/4" to 29 7/8"	36" RP = 33 1/4" to 33 7/8"
42" RP = 39 1/4" to 39 7/8"	48" RP = 45 1/4" to 45 7/8"

# ELERA 2 Sided CRP CW

In & out pivot door with fixed panel & return panel (cont'd)

## 5/16" (8 mm) Tempered clear glass 79" Height (80" to top of support bar bracket)

RP You must indicate your return panel size 32", 36", 42" or 48" in the "RP" field

### IN-LINE 54 WITH RETURN PANEL

51 5/16" to 51 15/16" W x 79" H (80" to top of support bar bracket)  
Approx. entry: 25 1/4"

MODEL	FINISH	PRICE				BASE	SIZE	PRICE
		32"	36"	42"	48"			
ELE251 RP -11-40-79	Chrome	\$2,722	\$2,775	\$2,843	\$2,915	ADT5436-18-L2 or R2	54" x 36" x 3"	\$1,179
ELE251 __ -25-40-79	Brushed Nickel	\$2,790	\$2,840	\$2,912	\$2,979			
ELE251 __ -33-40-79	Matte Black	\$2,877	\$2,932	\$2,999	\$3,069			

For more information on bases, see bases booklet or [www.fleurco.com](http://www.fleurco.com)

### IN-LINE 60 WITH RETURN PANEL

57 5/16" to 57 15/16" W x 79" H (80" to top of support bar bracket)  
Approx. entry: 25 1/4"

MODEL	FINISH	PRICE				BASE	SIZE	PRICE
		32"	36"	42"	48"			
ELE257 RP -11-40-79	Chrome	\$2,794	\$2,847	\$2,915	\$2,987	ABE3260-18-11 or 25-B	60" x 32" x 3"	\$2,264
ELE257 __ -25-40-79	Brushed Nickel	\$2,862	\$2,912	\$2,984	\$3,051	ADQ3260-18	60" x 32" x 2 3/4"	\$1,014
ELE257 __ -33-40-79	Matte Black	\$2,945	\$3,000	\$3,067	\$3,137	ATAS2-3260-__	60" x 32" x 1 1/2"	\$1,493
						AU_3260-33	60" x 32" x 2 3/4"	\$1,562
						AULV3260-18	60" x 32" x 1 1/2"	\$1,479
						ABE3660-18-11 or 25-B	60" x 36" x 3"	\$2,305
						ADQ3660-18	60" x 36" x 2 3/4"	\$1,041
						ATAS2-3660-__	60" x 36" x 1 3/8"	\$1,659
						AU_3660-33	60" x 36" x 2 3/4"	\$1,756
						AULV3660-18	60" x 36" x 1 1/2"	\$1,648
						ADT6036-18-L2 or R2	60" x 36" x 3"	\$1,261
						ADTC6036-18-L2 or R2	60" x 36" x 3"	\$1,261
						ALT6036-18-L2 or R2	60" x 36" x 2 3/4"	\$1,261
						ADQ4260-18	60" x 42" x 2 3/4"	\$1,523
						ADQ4860-18	60" x 48" x 2 3/4"	\$1,630

\*Unfinished height of threshold  
For more information on bases, see bases booklet or [www.fleurco.com](http://www.fleurco.com)

### IN-LINE 72 WITH RETURN PANEL

69 5/16" to 69 15/16" W x 79" H (80" to top of support bar bracket)  
Approx. entry: 29 1/4"

MODEL	FINISH	PRICE				BASE	SIZE	PRICE
		32"	36"	42"	48"			
ELE269 RP -11-40-79	Chrome	\$2,892	\$2,945	\$3,013	\$3,085	ADQ3672-18	72" x 36" x 2 3/4"	\$1,569
ELE269 __ -25-40-79	Brushed Nickel	\$2,958	\$3,008	\$3,080	\$3,147			
ELE269 __ -33-40-79	Matte Black	\$3,046	\$3,101	\$3,168	\$3,238			

For more information on bases, see bases booklet or [www.fleurco.com](http://www.fleurco.com)



Glass surface protection

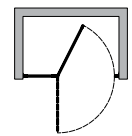


These units are reversible.  
(Closes on return panel, fixed panel or wall)

OPENING SIZE	APPROX. ENTRY	MODEL	FINISH	PRICE			
				32"	36"	42"	48"
35 5/16" to 35 15/16" W	21 1/4"	ELE235 RP -11-40-79	Chrome	\$2,561	\$2,614	\$2,682	\$2,754
		ELE235 __ -25-40-79	Brushed Nickel	\$2,630	\$2,680	\$2,752	\$2,819
		ELE235 __ -33-40-79	Matte Black	\$2,716	\$2,771	\$2,838	\$2,908
37 5/16" to 37 15/16" W	23 1/4"	ELE237 RP -11-40-79	Chrome	\$2,577	\$2,630	\$2,698	\$2,770
		ELE237 __ -25-40-79	Brushed Nickel	\$2,647	\$2,697	\$2,769	\$2,836
		ELE237 __ -33-40-79	Matte Black	\$2,734	\$2,789	\$2,856	\$2,926
41 5/16" to 41 15/16" W	21 1/4"	ELE241 RP -11-40-79	Chrome	\$2,630	\$2,683	\$2,751	\$2,823
		ELE241 __ -25-40-79	Brushed Nickel	\$2,704	\$2,754	\$2,826	\$2,893
		ELE241 __ -33-40-79	Matte Black	\$2,787	\$2,842	\$2,909	\$2,979
43 5/16" to 43 15/16" W	23 1/4"	ELE243 RP -11-40-79	Chrome	\$2,646	\$2,699	\$2,767	\$2,839
		ELE243 __ -25-40-79	Brushed Nickel	\$2,721	\$2,771	\$2,843	\$2,910
		ELE243 __ -33-40-79	Matte Black	\$2,805	\$2,860	\$2,927	\$2,997
47 5/16" to 47 15/16" W	27 1/4"	ELE247 RP -11-40-79	Chrome	\$2,680	\$2,733	\$2,801	\$2,873
		ELE247 __ -25-40-79	Brushed Nickel	\$2,756	\$2,806	\$2,878	\$2,945
		ELE247 __ -33-40-79	Matte Black	\$2,837	\$2,892	\$2,959	\$3,029
49 5/16" to 49 15/16" W	23 1/4"	ELE249 RP -11-40-79	Chrome	\$2,705	\$2,758	\$2,826	\$2,898
		ELE249 __ -25-40-79	Brushed Nickel	\$2,773	\$2,823	\$2,895	\$2,962
		ELE249 __ -33-40-79	Matte Black	\$2,861	\$2,916	\$2,983	\$3,053
53 5/16" to 53 15/16" W	21 1/4"	ELE253 RP -11-40-79	Chrome	\$2,761	\$2,814	\$2,882	\$2,954
		ELE253 __ -25-40-79	Brushed Nickel	\$2,828	\$2,878	\$2,950	\$3,017
		ELE253 __ -33-40-79	Matte Black	\$2,911	\$2,966	\$3,033	\$3,103
55 5/16" to 55 15/16" W	23 1/4"	ELE255 RP -11-40-79	Chrome	\$2,777	\$2,830	\$2,898	\$2,970
		ELE255 __ -25-40-79	Brushed Nickel	\$2,845	\$2,895	\$2,967	\$3,034
		ELE255 __ -33-40-79	Matte Black	\$2,929	\$2,984	\$3,051	\$3,121
59 5/16" to 59 15/16" W	27 1/4"	ELE259 RP -11-40-79	Chrome	\$2,811	\$2,864	\$2,932	\$3,004
		ELE259 __ -25-40-79	Brushed Nickel	\$2,880	\$2,930	\$3,002	\$3,069
		ELE259 __ -33-40-79	Matte Black	\$2,961	\$3,016	\$3,083	\$3,153
61 5/16" to 61 15/16" W	21 1/4"	ELE261 RP -11-40-79	Chrome	\$2,824	\$2,877	\$2,945	\$3,017
		ELE261 __ -25-40-79	Brushed Nickel	\$2,890	\$2,940	\$3,012	\$3,079
		ELE261 __ -33-40-79	Matte Black	\$2,979	\$3,034	\$3,101	\$3,171
63 5/16" to 63 15/16" W	23 1/4"	ELE263 RP -11-40-79	Chrome	\$2,840	\$2,893	\$2,961	\$3,033
		ELE263 __ -25-40-79	Brushed Nickel	\$2,907	\$2,957	\$3,029	\$3,096
		ELE263 __ -33-40-79	Matte Black	\$2,997	\$3,052	\$3,119	\$3,189
65 5/16" to 65 15/16" W	25 1/4"	ELE265 RP -11-40-79	Chrome	\$2,857	\$2,910	\$2,978	\$3,050
		ELE265 __ -25-40-79	Brushed Nickel	\$2,924	\$2,974	\$3,046	\$3,113
		ELE265 __ -33-40-79	Matte Black	\$3,013	\$3,068	\$3,135	\$3,205
67 5/16" to 67 15/16" W	27 1/4"	ELE267 RP -11-40-79	Chrome	\$2,874	\$2,927	\$2,995	\$3,067
		ELE267 __ -25-40-79	Brushed Nickel	\$2,942	\$2,992	\$3,064	\$3,131
		ELE267 __ -33-40-79	Matte Black	\$3,029	\$3,084	\$3,151	\$3,221

ELERA 2 Sided

MODELS AND PRICES - OPEN HERE



NOTE: Inward opening and entry can be compromised by insufficient depth of enclosure.

Call customer service for more information.

All models include support bar for max adjustment of 71 5/8".

Spacer (sold separately)

MODEL	FINISH	PRICE
ELE-SPACER-3/8-11	Chrome	\$111
ELE-SPACER-3/8-25	Brushed Nickel	\$117
ELE-SPACER-3/8-33	Matte Black	\$126

RETURN PANELS	
32" RP = 29 1/4" to 29 7/8"	36" RP = 33 1/4" to 33 7/8"
42" RP = 39 1/4" to 39 7/8"	48" RP = 45 1/4" to 45 7/8"

All models include support bar for max adjustment of 71 5/8".



Pivots on fixed panel, closes on wall



Pivots on fixed panel, closes on return panel



Pivots on return panel, closes on fixed panel



Pivots on wall, closes on fixed panel

PIVOT 2 SIDED SHOWERS

ELERA



PIVOT 2 SIDED SHOWERS

ELERA

ELE25732-11-40-79

## ELERA 2 Sided

In & out pivot door with fixed panel

**10**  
year limited warranty

Sleek vertical handle

In & out pivoting system with 90° inward & 90° outward opening

Reversible left or right door installation on wall, fixed panel or return panel

Magnetic closure

5/16" (8mm) clear tempered glass

Shower door height: 79" (80" to top of support bar bracket)

Chrome, Brushed Nickel & Matte Black finishes



# FLEURCO™ SEKUR<sup>+</sup>

SAFETY PROTECTION

## WHAT IS FLEURCOSEKUR<sup>+</sup> SAFETY PROTECTION?

FLEURCOSEKUR<sup>+</sup> SAFETY PROTECTION is a transparent film bonded directly onto the glass panel by means of an adhesive to improve safety by retaining the pieces together in the event of glass breakage.

## WHAT ARE THE BENEFITS OF FLEURCOSEKUR<sup>+</sup> SAFETY PROTECTION?

FLEURCOSEKUR<sup>+</sup> SAFETY PROTECTION film provides an added layer of security for you and your family. In the event of an accident, FLEURCOSEKUR<sup>+</sup> SAFETY PROTECTION prevents the tempered glass door from shattering into thousands of pieces which could cause damage.

## HOW IS FLEURCOSEKUR<sup>+</sup> SAFETY PROTECTION APPLIED?

Application is performed by a specialized machine.

The film is always installed on the exterior side of the panels as to not affect the Microtek® coating on the interior.

## HOW DURABLE IS FLEURCOSEKUR<sup>+</sup> SAFETY PROTECTION?

FLEURCOSEKUR<sup>+</sup> SAFETY PROTECTION is very durable. It has been tested for long-term usage against chemicals and normal wear and meets the required standards.

## HOW DO I CLEAN GLASS TREATED WITH FLEURCOSEKUR<sup>+</sup> SAFETY PROTECTION?

No abrasive materials should be used in cleaning a FLEURCOSEKUR<sup>+</sup> SAFETY PROTECTION treated shower door. Cleaning with a damp cloth using a mixture of vinegar/mild soap with water is recommended.



**5**  
year limited warranty



Shattered glass maintains structure with FLEURCOSEKUR<sup>+</sup> SAFETY PROTECTION film

### SPACER 75"

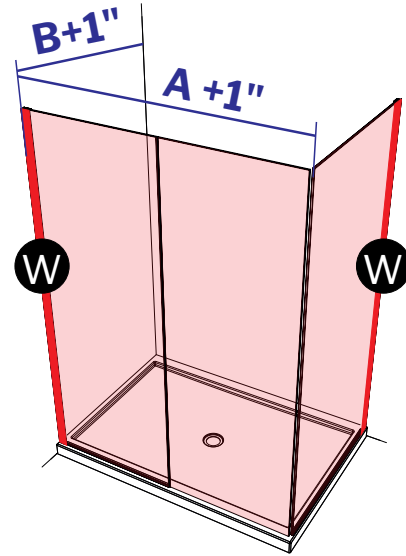
Compatible with Pura (PJ) models

MODEL	FINISH	PRICE
PLAT-SPACER-11-75	Chrome	\$58
PLAT-SPACER-25-75	Brushed Nickel	\$60
PLAT-SPACER-33-75	Matte Black	\$60

### SPACER 79"

Compatible with Select Kara (PMKP)  
& Select Lexus (PMLP) models

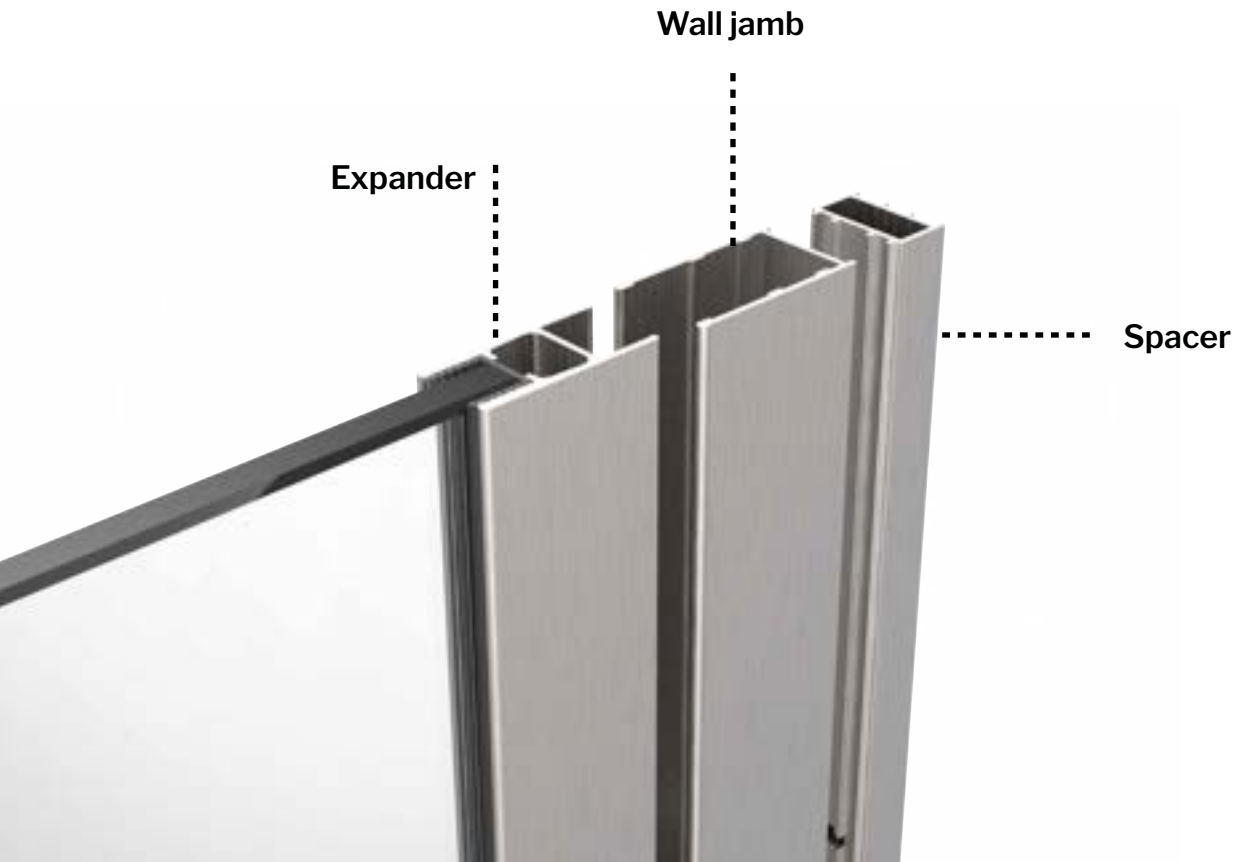
MODEL	FINISH	PRICE
PLAT-SPACER-11-79	Chrome	\$62
PLAT-SPACER-25-79	Brushed Nickel	\$69
PLAT-SPACER-33-79	Matte Black	\$69



#### W WALL JAMB

A=Finished wall opening  
B=Back wall to center of panel

Maximum recommended 2 spacers per wall jamb (fixed panel and return panel). Each spacer adds 1/2" to the enclosure (width or depth).





**Fibo**

by  FLEURCO™

**WALL SYSTEMS**

**THE SMART WAY TO  
TRANSFORM YOUR WALL**



Scan here to see full collection & pricing