



FEATURES + BENEFITS.....2-3



SINGLE VIEW Single panel medicine cabinet.....4-5



BI-VIEW Double panel medicine cabinet6-7



TRI-VIEW Triple panel medicine cabinet8-9



MIRROR TOWER SHELF 10-11

ADDITIONAL GLASS SHELVES..... 12

FEATURES + BENEFITS

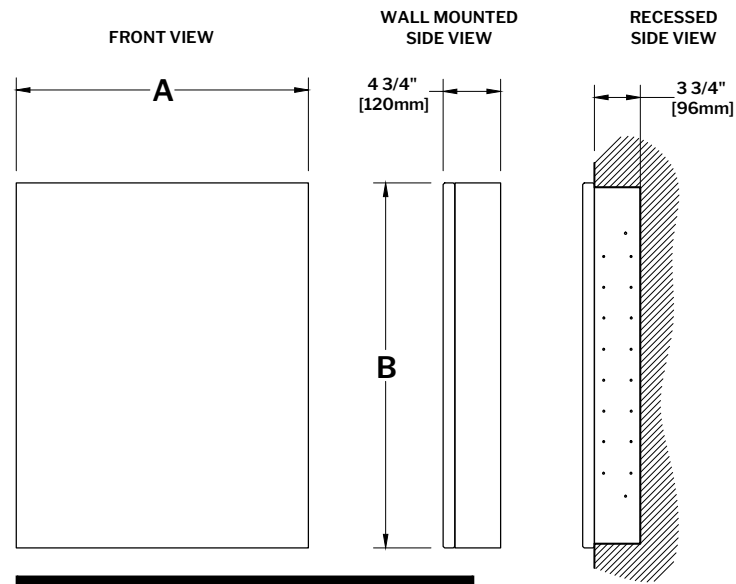


SINGLE VIEW SINGLE PANEL MEDICINE CABINET

5
year limited
warranty

MODEL	CABINET SIZE	ROUGH OPENING SIZE FOR RECESSED	EDGES	*ADDITIONAL SHELVES PAGE 12	PRICE
MCS1519A-11	15" x 19"	14 3/8" W x 18 3/8" H x 3 3/4" D	FLAT	MC-SHELF-15	\$422
MCS1519B-11	15" x 19"		1/2" BEVEL		\$484
MCS1530A-11	15" x 30"	14 3/8" W x 29 3/8" H x 3 3/4" D	FLAT	MC-SHELF-15	\$509
MCS1530B-11	15" x 30"		1/2" BEVEL		\$583
MCS1536A-11	15" x 36"	14 3/8" W x 35 3/8" H x 3 3/4" D	FLAT	MC-SHELF-15	\$575
MCS1536B-11	15" x 36"		1/2" BEVEL		\$658
MCS2430A-11	24" x 30"	23 3/8" W x 29 3/8" H x 3 3/4" D	FLAT	MC-SHELF-24/36L	\$637
MCS2430B-11	24" x 30"		1/2" BEVEL		\$728
MCS2436A-11	24" x 36"	23 3/8" W x 35 3/8" H x 3 3/4" D	FLAT	MC-SHELF-24/36L	\$759
MCS2436B-11	24" x 36"		1/2" BEVEL		\$872

*Additional Glass Shelves available, see page 12 for pricing.
NOTE: Surface mount kit included for wall mounted installation.



MODEL	A	B
MCS1519A or B-11	15" [380MM]	19" [480MM]
MCS1530A or B-11	15" [380MM]	30" [760MM]
MCS1536A or B-11	15" [380MM]	36" [915MM]
MCS2430A or B-11	24" [610MM]	30" [760MM]
MCS2436A or B-11	24" [610MM]	36" [915MM]



FLAT



1/2" BEVEL

Tolerance on dimensions: ± 1/8" (3mm)

US | 2021

SINGLE VIEW



MODEL MCS2430B-11

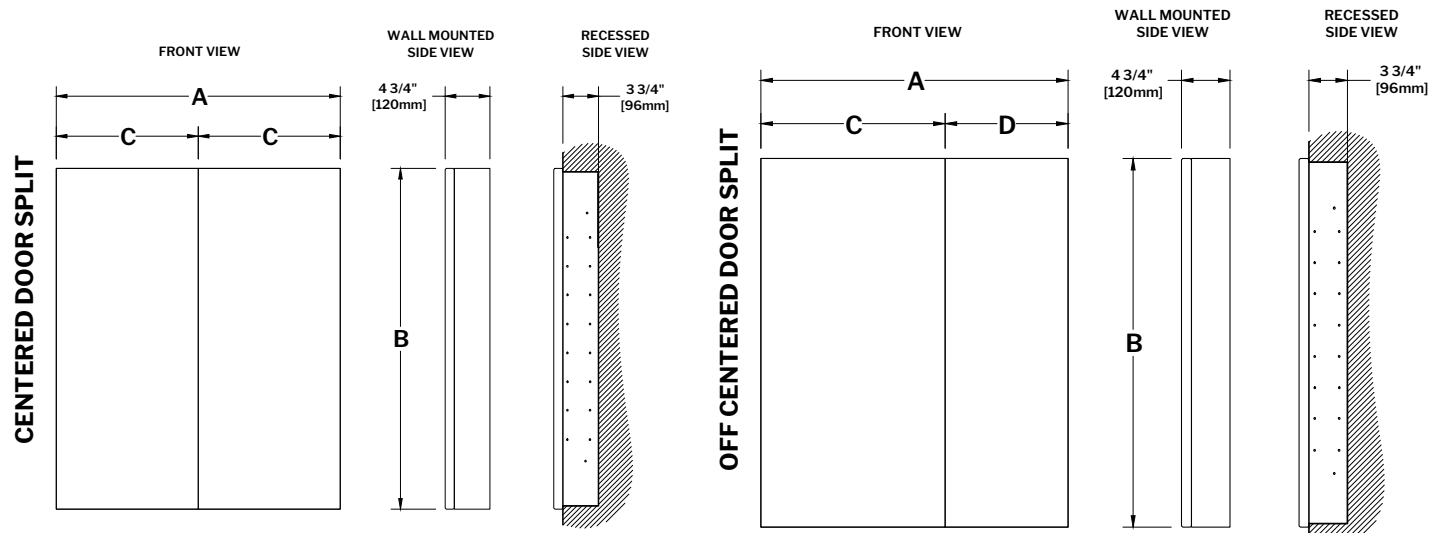
www.fleurco.com

BI-VIEW DOUBLE PANEL MEDICINE CABINET

5
year limited
warranty

MODEL	CABINET SIZE	ROUGH OPENING SIZE FOR RECESSED	EDGES	DOOR SPLIT	*ADDITIONAL SHELVES PAGE 12	PRICE
MCB2430A-11	24" x 30"	23 3/8" W x 29 3/8" H x 3 3/4" D	FLAT	CENTER	MC-SHELF-24/36L	\$701
MCB2430B-11	24" x 30"		1/2" BEVEL	CENTER		\$774
MCB2519A-11	25" x 19"	24 3/8" W x 18 3/8" H x 3 3/4" D	FLAT	CENTER	MC-SHELF-25	\$600
MCB2519B-11	25" x 19"		1/2" BEVEL	CENTER		\$689
MCB3030A-11	30" x 30"	29 3/8" W x 29 3/8" H x 3 3/4" D	FLAT	OFF CENTER	MC-SHELF-30	\$793
MCB3030B-11	30" x 30"		1/2" BEVEL	OFF CENTER		\$908
MCB3036A-11	30" x 36"	29 3/8" W x 35 3/8" H x 3 3/4" D	FLAT	OFF CENTER	MC-SHELF-30	\$950
MCB3036B-11	30" x 36"		1/2" BEVEL	OFF CENTER		\$1,087
MCB3121A-11	31" x 21"	30 3/8" W x 20 3/8" H x 3 3/4" D	FLAT	OFF CENTER	MC-SHELF-31	\$711
MCB3121B-11	31" x 21"		1/2" BEVEL	OFF CENTER		\$815

*Additional Glass Shelves available, see page 12 for pricing.
NOTE: Surface mount kit included for wall mounted installation.



MODEL	A	B	C	D
MCB2430A or B-11	24" [610MM]	30" [760MM]	12" [305MM]	N/A
MCB2519A or B-11	25" [635MM]	19" [480MM]	12 1/2" [320MM]	N/A
MCB3030A or B-11	30" [760MM]	30" [760MM]	18" [460MM]	12" [305MM]
MCB3036A or B-11	30" [760MM]	36" [915MM]	18" [460MM]	12" [305MM]
MCB3121A or B-11	31" [790MM]	21" [535MM]	19" [480MM]	12" [305MM]



FLAT



1/2" BEVEL

Tolerance on dimensions: ± 1/8" (3mm)

US | 2021

BI-VIEW



MODEL MCB3030A-11

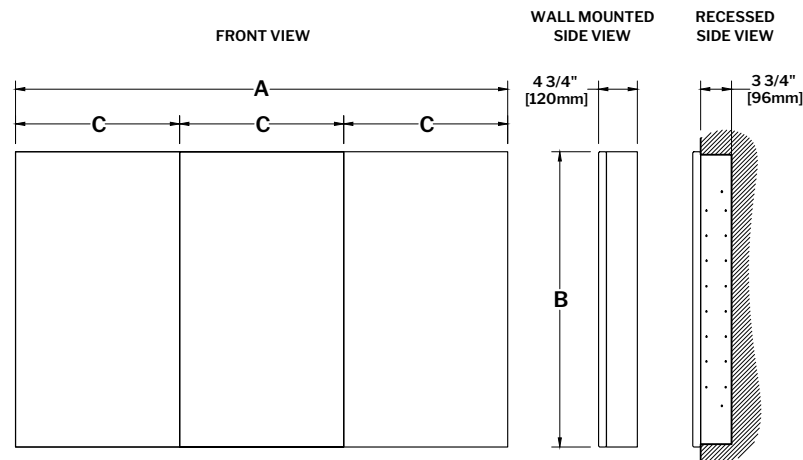
www.fleurco.com

TRI-VIEW TRIPLE PANEL MEDICINE CABINET

5
year limited
warranty

MODEL	CABINET SIZE	ROUGH OPENING SIZE FOR RECESSED	EDGES	*ADDITIONAL SHELVES PAGE 12	PRICE
MCT3630A-11	36" x 30"	35 3/8" W x 29 3/8" H x 3 3/4" D	FLAT	MC-SHELF-36S	\$1,020
MCT3630B-11	36" x 30"		1/2" BEVEL	MC-SHELF-24/36L	\$1,169
MCT3636A-11	36" x 36"	35 3/8" W x 35 3/8" H x 3 3/4" D	FLAT	MC-SHELF-36S	\$1,070
MCT3636B-11	36" x 36"		1/2" BEVEL	MC-SHELF-24/36L	\$1,227
MCT4830A-11	48" x 30"	47 3/8" W x 29 3/8" H x 3 3/4" D	FLAT	MC-SHELF-48S	\$1,106
MCT4830B-11	48" x 30"		1/2" BEVEL	MC-SHELF-48L	\$1,268
MCT4836A-11	48" x 36"	47 3/8" W x 35 3/8" H x 3 3/4" D	FLAT	MC-SHELF-48S	\$1,232
MCT4836B-11	48" x 36"		1/2" BEVEL	MC-SHELF-48L	\$1,412
MCT6030A-11	60" x 30"	59 3/8" W x 29 3/8" H x 3 3/4" D	FLAT	MC-SHELF-60S	\$1,250
MCT6030B-11	60" x 30"		1/2" BEVEL	MC-SHELF-60L	\$1,434
MCT6036A-11	60" x 36"	59 3/8" W x 35 3/8" H x 3 3/4" D	FLAT	MC-SHELF-60S	\$1,491
MCT6036B-11	60" x 36"		1/2" BEVEL	MC-SHELF-60L	\$1,711

*Additional Glass Shelves available, see page 12 for pricing.
NOTE: Surface mount kit included for wall mounted installation.



MODEL	A	B	C
MCT3630A or B-11	36" [915MM]	30" [760MM]	12" [305MM]
MCT3636A or B-11	36" [915MM]	36" [915MM]	12" [305MM]
MCT4830A or B-11	48" [1220MM]	30" [760MM]	16" [405MM]
MCT4836A or B-11	48" [1220MM]	36" [915MM]	16" [405MM]
MCT6030A or B-11	60" [1525MM]	30" [760MM]	20" [510MM]
MCT6036A or B-11	60" [1525MM]	36" [915MM]	20" [510MM]



FLAT



1/2" BEVEL

Tolerance on dimensions: ± 1/8" (3mm)

US | 2021

TRI-VIEW



MODEL MCT4830A-11

www.fleurco.com

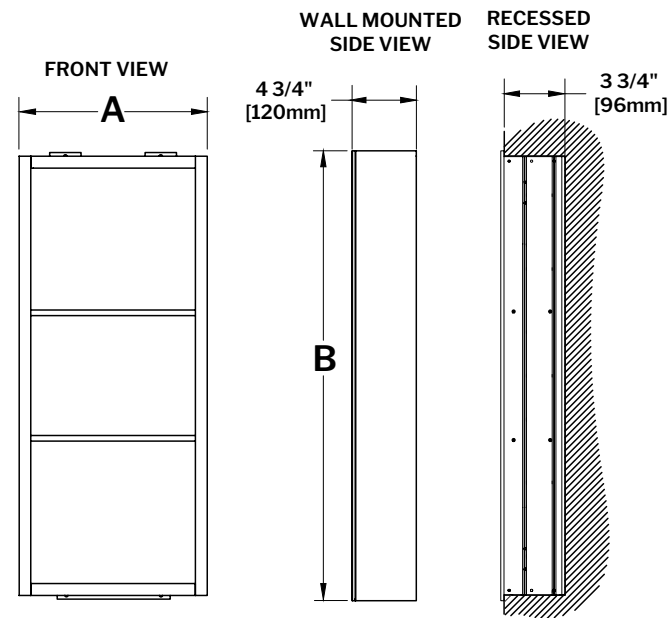
FLEURCO™

MIRROR TOWER SHELF

5
year limited
warranty

MODEL	CABINET SIZE	ROUGH OPENING SIZE FOR RECESSED	PRICE
MCND1230-11	12" x 30"	11 3/8" W x 29 3/8" H x 3 3/4" D	\$335
MCND1236-11	12" x 36"	11 3/8" W x 35 3/8" H x 3 3/4" D	\$347

Metal shelves.
NOTE: Surface mount kit included for wall mounted installation.



MODEL	A	B
MCND1230-11	12" [305MM]	30" [760MM]
MCND1236-11	12" [305MM]	36" [915MM]

MIRROR TOWER SHELF

luna



MODEL MCND1230-11

www.fleurco.com

FLEURCO™

ADDITIONAL GLASS SHELVES

5
year limited
warranty

ADDITIONAL SHELVES FOR SINGLE VIEW & BI-VIEW UNITS

SINGLE VIEW AND BI-VIEW UNITS USE ONE LONG SHELF.

MODEL	DIMENSIONS L x D	PRICE
MC-SHELF-15	13 ³ / ₈ " x 3 ¹ / ₂ " 339MM x 90MM	\$23
MC-SHELF-24/36L	22 ³ / ₈ " x 3 ¹ / ₂ " 568MM x 90MM	\$34
MC-SHELF-25	23 ³ / ₈ " x 3 ¹ / ₂ " 594MM x 90MM	\$34
MC-SHELF-30	28 ³ / ₈ " x 3 ¹ / ₂ " 720MM x 90MM	\$42
MC-SHELF-31	29 ³ / ₈ " x 3 ¹ / ₂ " 745MM x 90MM	\$42

ADDITIONAL SHELVES FOR TRI-VIEW UNITS

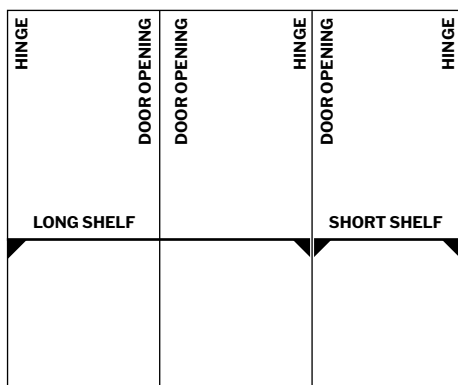
TRI-VIEW UNITS USE LONG & SHORT SHELVES.
SEE BELOW FOR ARRANGEMENTS.

MODEL	DIMENSIONS L x D	PRICE
MC-SHELF-36S	11 ³ / ₁₆ " x 3 ¹ / ₂ " 284MM x 90MM	\$22
MC-SHELF-24/36L	22 ³ / ₈ " x 3 ¹ / ₂ " 568MM x 90MM	\$34
MC-SHELF-48S	15 ³ / ₁₆ " x 3 ¹ / ₂ " 385MM x 90MM	\$24
MC-SHELF-48L	30 ¹ / ₄ " x 3 ¹ / ₂ " 769MM x 90MM	\$43
MC-SHELF-60S	18 ¹ / ₄ " x 3 ¹ / ₂ " 464MM x 90MM	\$29
MC-SHELF-60L	19 ³ / ₁₆ " x 3 ¹ / ₂ " 487MM x 90MM	\$29

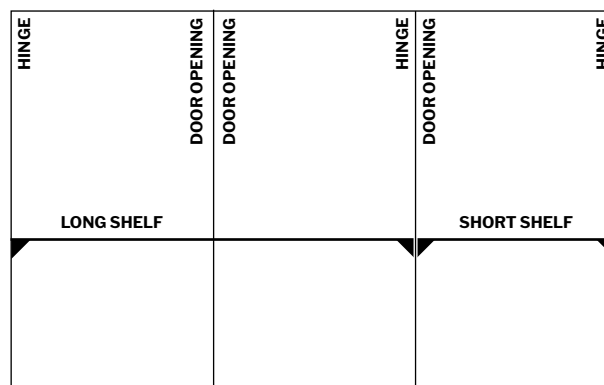
CODE EXAMPLE:

36S = SHORT SHELF FOR 36" WIDE UNIT.

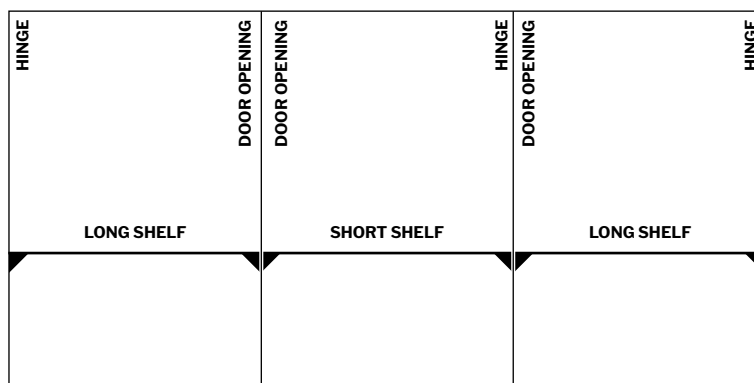
36L = LONG SHELF FOR 36" WIDE UNIT.



36" TRI-VIEW UNITS



48" TRI-VIEW UNITS



60" TRI-VIEW UNITS

Tolerance on dimensions: ± 1/8" (3mm)