



FEATURES + BENEFITS2-3



HALO bathroom mirror4-5



SUNRIZE bathroom mirror6-7



PANDORA mirror8-9

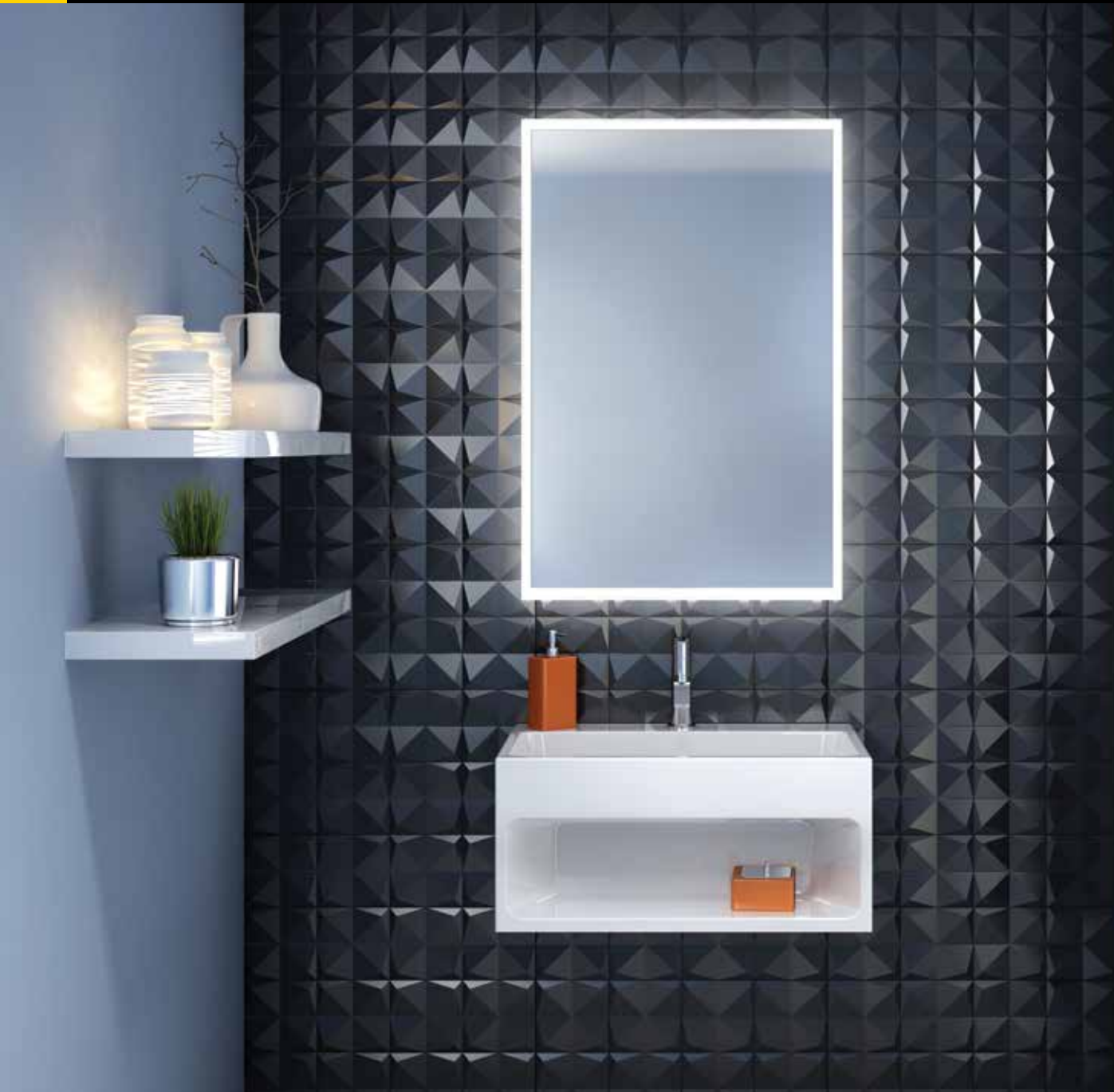
COMING
SPRING
2021



SOLIS bathroom mirror 10-11

DIMMER SPECIFICATIONS 12

TECHNICAL DRAWINGS..... 13-15



LED TECHNOLOGY
Energy efficient and compatible with an optional wall dimmer

ALUMINUM FRAME
For easy installation

5MM DISTORTION FREE GLASS
For quality and clarity

UL LISTED FIXTURE
All components and product pass all UL listing codes

COPPER-FREE MIRROR
Prevents black edge corrosion

DEFOGGER PAD
Targeted area for fog free reflection

PENCIL EDGE
For clean look

WARM WHITE LIGHT
Best lighting for makeup and shaving

ACID ETCHED LIGHT BAND
Allows light to pass through mirror face

SAFETY FILM BACKING
For security

ON-OFF TOUCH SWITCH
Easily located

3500K WARM WHITE LIGHT



Kelvin (K) is a unit of measurement used to describe the hue of a specific light source. This is not necessarily related to the heat output of the light source but rather the color of the light output. Kelvin values below 3500K will have a warmer, yellowish hue. Values between 3500K and 4500K will be in the white hue range. All values higher than 4500K will tend to have a more bluish hue. The prominence of the hues will increase as the values move away from the white hue's range. Daylight typically falls into the 5000-6000K range.

Lumens (lm) is the measure of the total quantity of visible light emitted by a source.



Rely on UL, one of the world's leading independent product testing organizations, when you want to ensure that the luminaires and lighting system controls you buy and use in your environment are high performing, reliable and safe. When you look for quality, look for the UL Mark.

HALO BATHROOM MIRROR

5
year limited
warranty

luna

	MODEL	SIZE	DEFOGGER	PRICE
ROUND	MHAR2424	24" x 24"	Single centered	\$620
VERTICAL	MHA1836	18" x 36"	Single centered	\$662
	MHA2136	21" x 36"	Single centered	\$703
	MHA2436	24" x 36"	Single centered	\$779
	MHA3036	30" x 36"	Single centered	\$1,000
	MHA3636	36" x 36"	Single centered	\$1,066
HORIZONTAL	MHA4236	42" x 36"	Double centered	\$1,146
	MHA4836	48" x 36"	Double centered	\$1,245
	MHA5436	54" x 36"	Double split	\$1,326
	MHA6036	60" x 36"	Double split	\$1,430
	MHA7236	72" x 36"	Double split	\$1,590

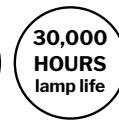
For dimmer instructions, see page 12*

*Dimmer not compatible with MHAR2424

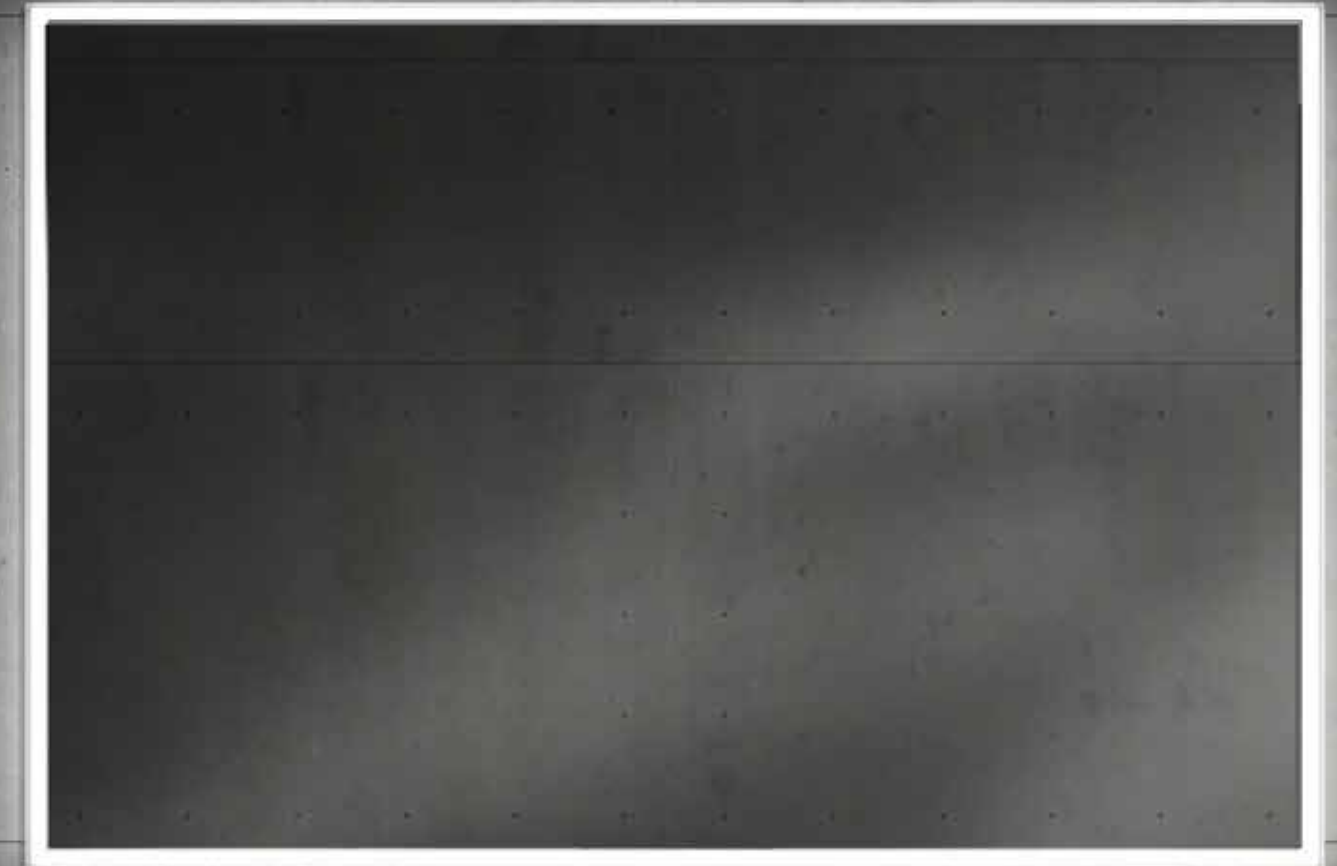
For technical drawings, see page 13

TECHNICAL SPECS

MODEL	LUMENS	KELVIN	WATTS	INPUT
MHAR2424	1353 lm	CCT 3500 K	20W	120V AC, 50/60Hz
MHA1836	1517 lm	CCT 3500 K	43W	120V AC, 50/60Hz
MHA2136	1650 lm	CCT 3500 K	45W	120V AC, 50/60Hz
MHA2436	1725 lm	CCT 3500 K	45W	120V AC, 50/60Hz
MHA3036	1905 lm	CCT 3500 K	50W	120V AC, 50/60Hz
MHA3636	2100 lm	CCT 3500 K	50W	120V AC, 50/60Hz
MHA4236	2280 lm	CCT 3500 K	77W	120V AC, 50/60Hz
MHA4836	2460 lm	CCT 3500 K	79W	120V AC, 50/60Hz
MHA5436	2625 lm	CCT 3500 K	85W	120V AC, 50/60Hz
MHA6036	2835 lm	CCT 3500 K	80W	120V AC, 50/60Hz
MHA7236	3195 lm	CCT 3500 K	85W	120V AC, 50/60Hz



HALO



HALO ROUND MHAR2424

SUNRIZE BATHROOM MIRROR

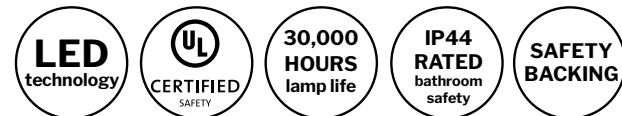
5
year limited
warranty

	MODEL	SIZE	DEFOGGER	PRICE
VERTICAL	MSU2436	24" x 36"	Single centered	\$585
	MSU3036	30" x 36"	Single centered	\$715
	MSU3636	36" x 36"	Single centered	\$729
HORIZONTAL	MSU4236	42" x 36"	Double centered	\$750
	MSU4836	48" x 36"	Double centered	\$804

For dimmer instructions, see page 12
For technical drawings, see page 14

TECHNICAL SPECS

MODEL	LUMENS	KELVIN	WATTS	INPUT
MSU2436	630 lm	CCT 3500 K	40W	120V AC, 50/60Hz
MSU3036	630 lm	CCT 3500 K	40W	120V AC, 50/60Hz
MSU3636	630 lm	CCT 3500 K	40W	120V AC, 50/60Hz
MSU4236	630 lm	CCT 3500 K	65W	120V AC, 50/60Hz
MSU4836	630 lm	CCT 3500 K	65W	120V AC, 50/60Hz



www.fleurco.com

US | 2021

SUNRIZE

luna



MODEL MSU2436

www.fleurco.com

PANDORA MIRROR

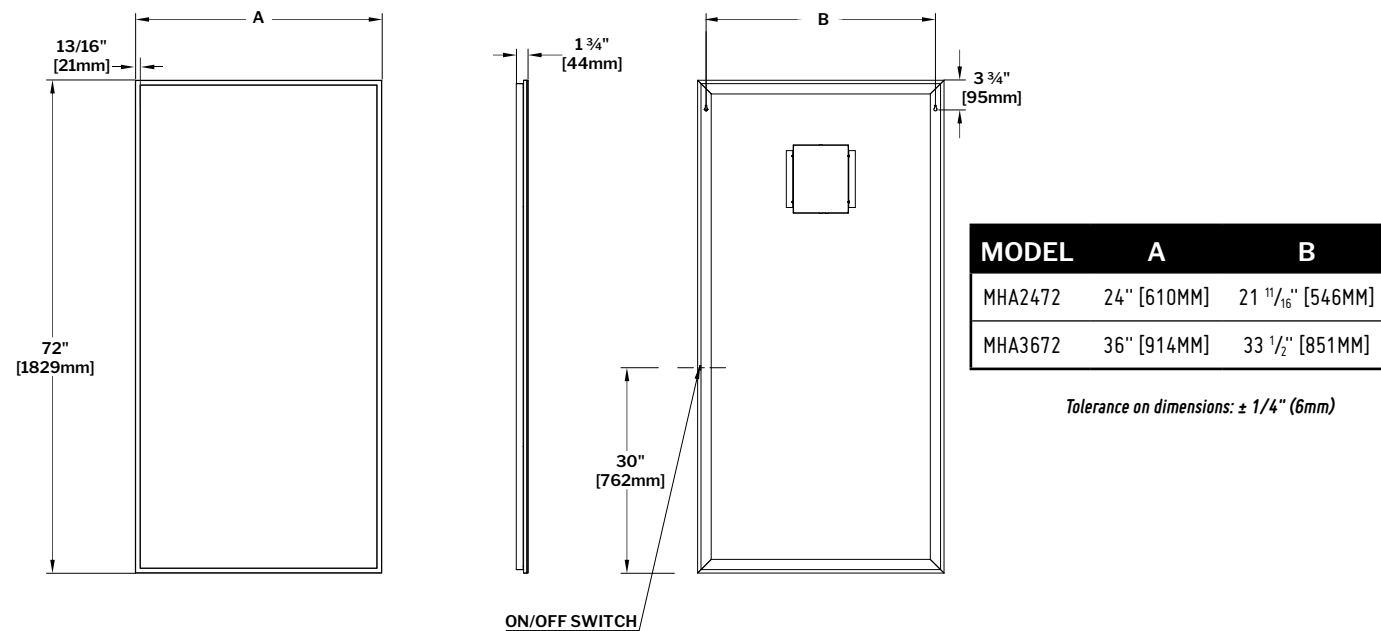
5
year limited
warranty

MODEL	SIZE	DEFOGGER	PRICE
MHA2472	24" x 72"	N/A	\$1,269
MHA3672	36" x 72"	N/A	\$1,405

For dimmer instructions, see page 12

TECHNICAL SPECS

MODEL	LUMENS	KELVIN	WATTS	INPUT
MHA2472	2835 lm	CCT 3500 K	31W	120V AC, 50/60Hz
MHA3672	3230 lm	CCT 3500 K	33W	120V AC, 50/60Hz



PANDORA

luna



SOLIS BATHROOM MIRROR

COMING
SPRING
20215
year limited
warranty

MODEL	SIZE	DEFOGGER	PRICE
MSOR2424-33	24" x 24"	Single centered	\$668
MSOR3030-33	30" x 30"	Single centered	\$798
MSOR3636-33	36" x 36"	Single centered	\$958

For technical drawings, see page 15

TECHNICAL SPECS

MODEL	LUMENS RANGE	KELVIN	WATTS	INPUT
MSOR2424-33	0-2592 lm	CCT 3500 K	27W	110V AC, 50/60Hz
MSOR3030-33	0-3283 lm	CCT 3500 K	34W	110V AC, 50/60Hz
MSOR3636-33	0-4018 lm	CCT 3500 K	42W	110V AC, 50/60Hz

Compatible with wall switch



www.fleurco.com

US | 2021

SOLIS

COMING
SPRING
2021

luna



FEATURES

- ENERGY-EFFICIENT LED WARM WHITE LIGHT, SUITABLE FOR MAKEUP APPLICATION AND SHAVING
- COPPER-FREE AND DISTORTION-FREE MIRROR
- DEFOGGER PAD INCLUDED
- SAFETY FILM BACKING
- ON-OFF TOUCH SWITCH WITH BUILT-IN DIMMER
- MATTE BLACK METAL FRAME

Products and specifications are subject to change without notice.

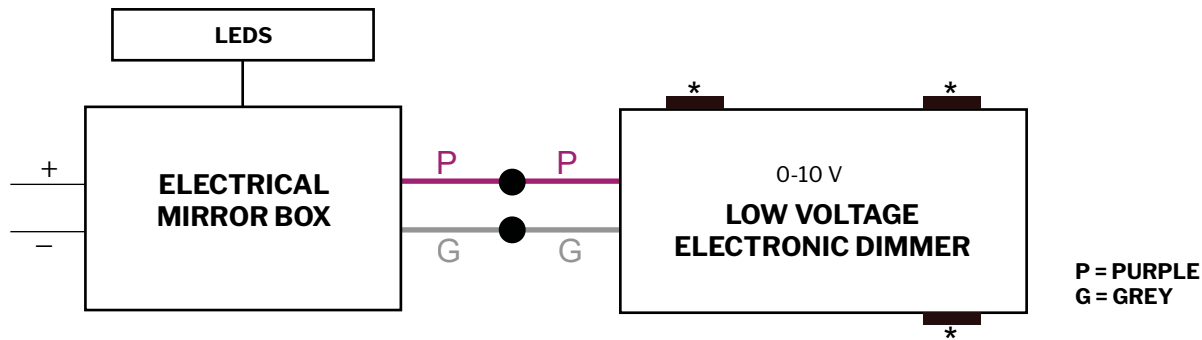
www.fleurco.com

MODEL MSOR2424-33

LIGHTED MIRRORS[†] CONNECTION DIAGRAM

[†]Compatible with Halo, Sunrize and Pandora mirrors. Not compatible with Solis mirror.

MIRROR TO WALL DIMMER



***FOLLOW MANUFACTURER INSTRUCTIONS FOR DIMMER INSTALLATION**

DIMMER SPECIFICATIONS:

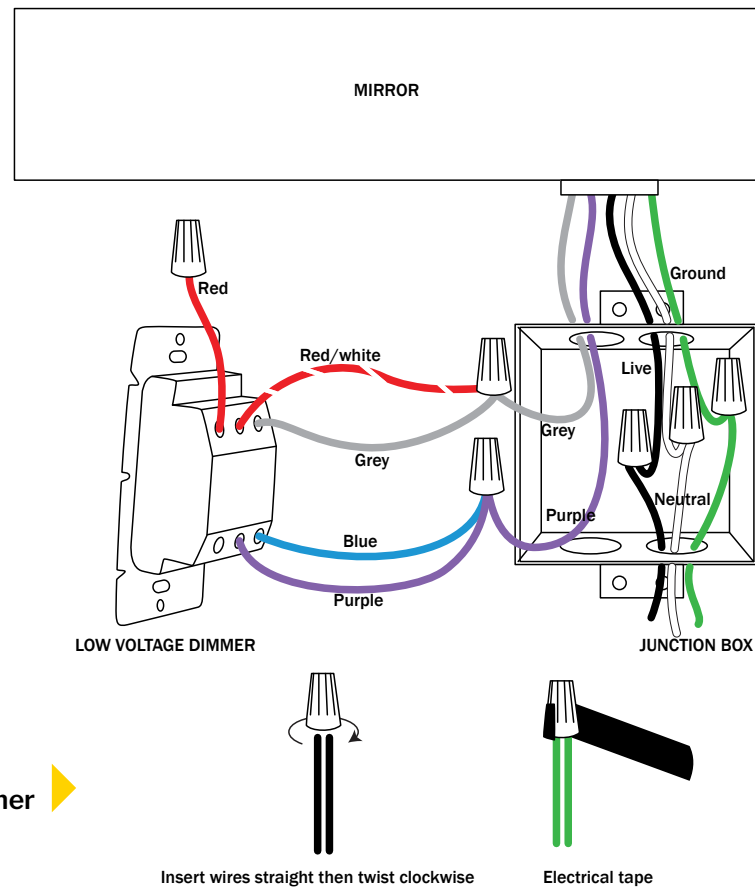
0-10V low voltage electric dimmer for LED lights.

NOTE:

These electric components can be purchased at specialized electrical retailers. All wire extensions must be of low voltage type.

MODELS SUGGESTED:

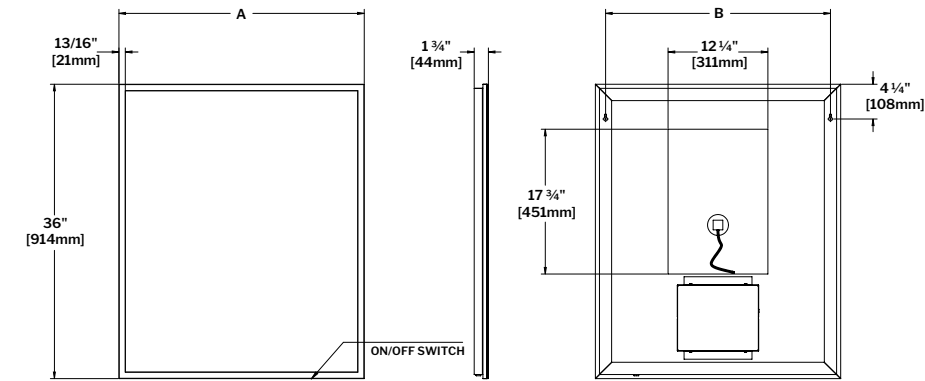
- DIVA DDTV from LUTRON
- IllumaTech IP710 from LEVITON
- DEVINE DF10P from COOPER
- SKYE SF10P COOPER



Wiring diagram for Lutron Diva DDTV Low Voltage Dimmer

HALO TECHNICAL DRAWINGS

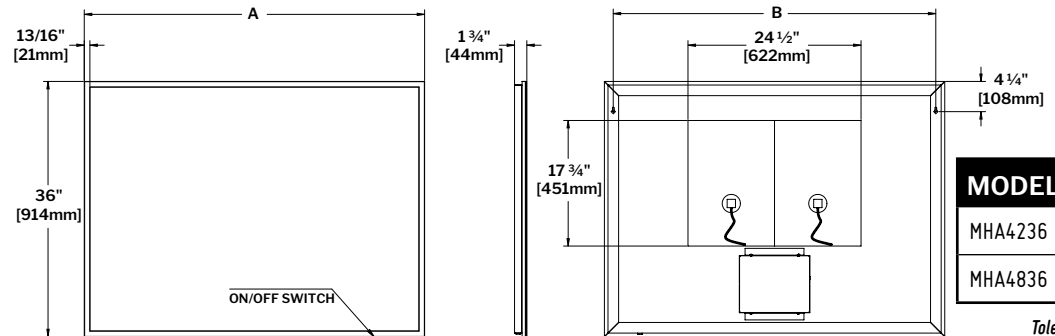
SINGLE CENTERED DEFOGGER



MODEL	A	B
MHA1836	18" [457MM]	15 1/2" [394MM]
MHA2136	21" [533MM]	18 1/2" [470MM]
MHA2436	24" [610MM]	21 1/2" [546MM]
MHA3036	30" [762MM]	27 1/2" [699MM]
MHA3636	36" [914MM]	33 1/2" [851MM]

Tolerance on dimensions: ± 1/4" (6mm)

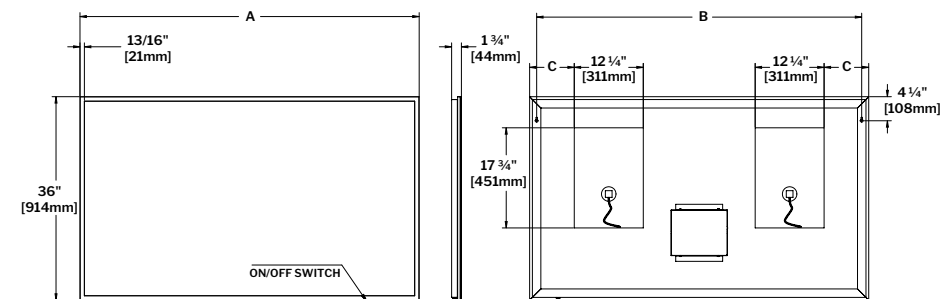
DOUBLE CENTERED DEFOGGER



MODEL	A	B
MHA4236	42" [1067MM]	39 1/2" [1003MM]
MHA4836	48" [1219MM]	45 1/2" [1156MM]

Tolerance on dimensions: ± 1/4" (6mm)

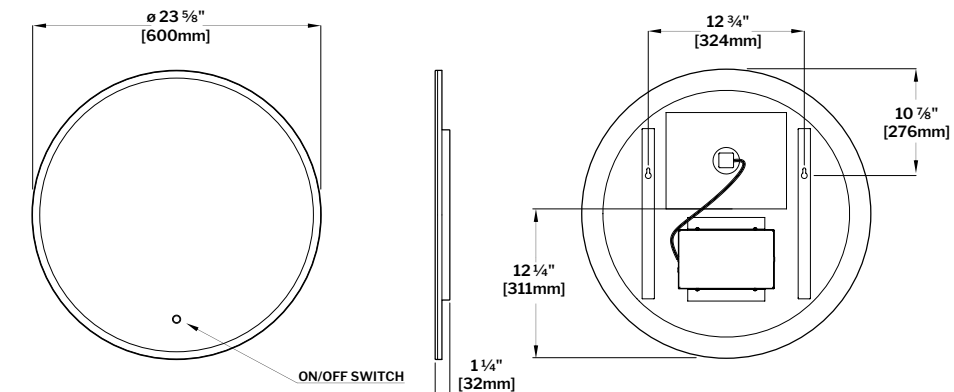
DOUBLE SPLIT DEFOGGER



MODEL	A	B	C
MHA5436	54" [1372MM]	51 1/2" [1308MM]	12 1/4" [311MM]
MHA6036	60" [1524MM]	57 1/2" [1461MM]	8" [203MM]
MHA7236	72" [1829MM]	69 1/2" [1765MM]	10" [254MM]

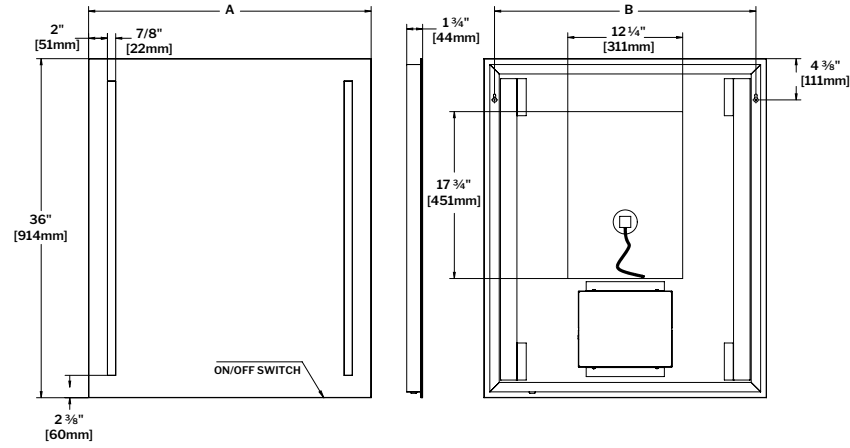
Tolerance on dimensions: ± 1/4" (6mm)

HALO ROUND



Tolerance on dimensions: ± 1/4" (6mm)

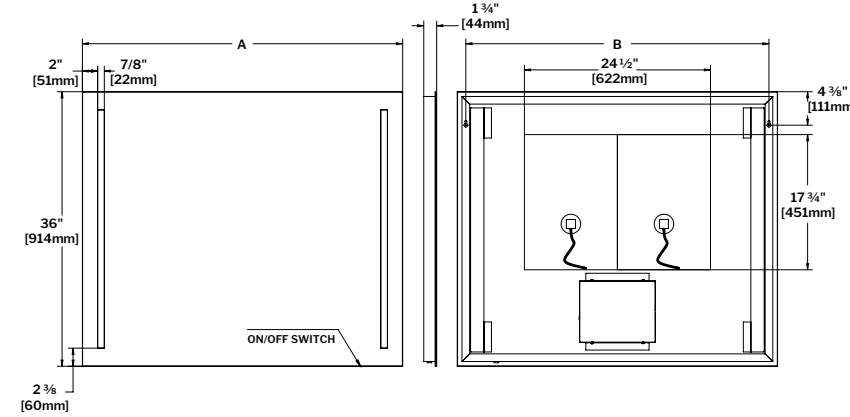
SINGLE CENTERED DEFOGGER



MODEL	A	B
MSU2436	24" [610MM]	21 3/4" [552MM]
MSU3036	30" [762MM]	27 3/4" [705MM]
MSU3636	36" [914MM]	33 3/4" [857MM]

Tolerance on dimensions: ± 1/4" (6mm)

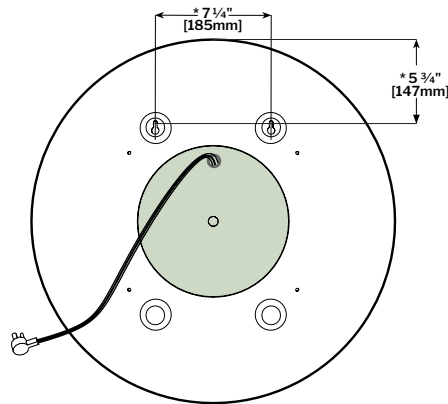
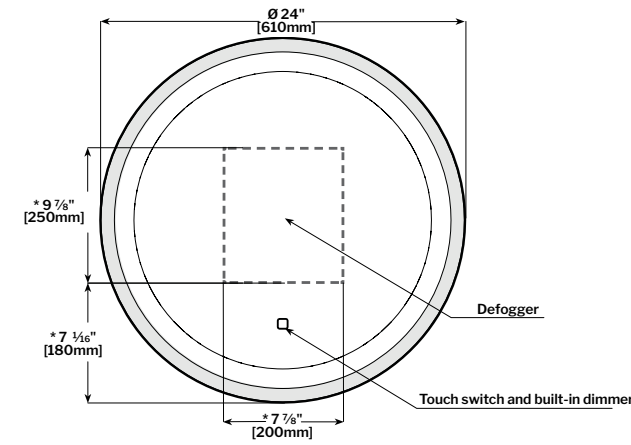
DOUBLE CENTERED DEFOGGER



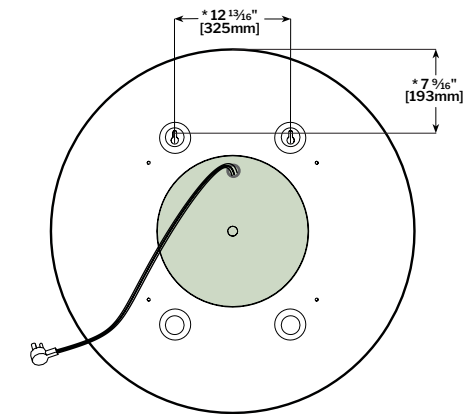
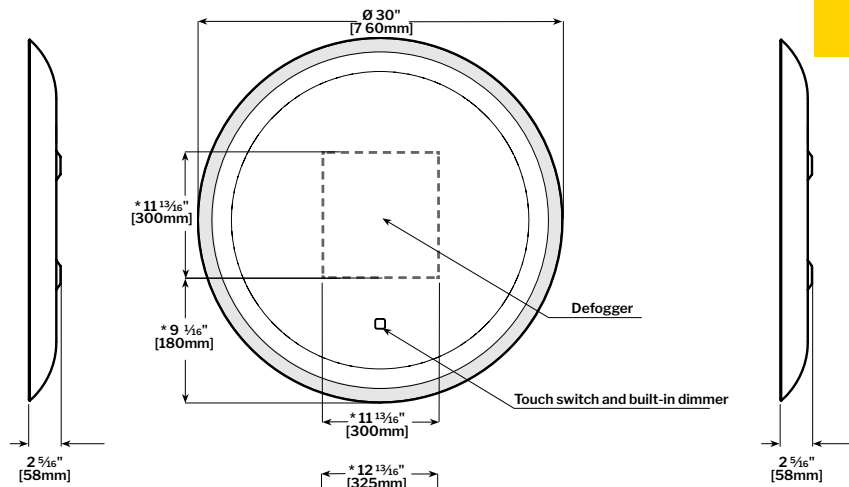
MODEL	A	B
MSU4236	42" [1067MM]	39 3/4" [1010MM]
MSU4836	48" [1219MM]	45 3/4" [1162MM]

Tolerance on dimensions: ± 1/4" (6mm)

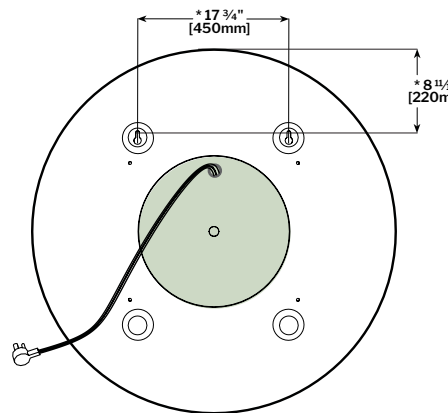
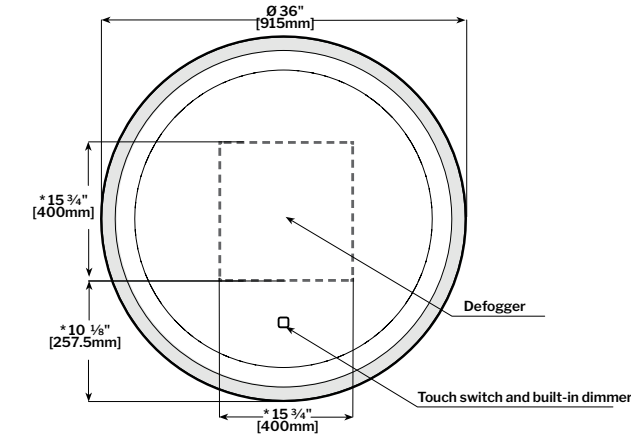
MSOR2424-33
SINGLE CENTERED DEFOGGER



MSOR3030-33
SINGLE CENTERED DEFOGGER



MSOR3636-33
SINGLE CENTERED DEFOGGER



The mirror is fitted with a plug. A recessed receptacle is required for a proper wall mount installation.

Recommended zone for the recessed outlet.

Reference only (approximate dimension).
Product specifications are subject to change without notice.

