



**FEATURES + BENEFITS**.....2-3



**SINGLE VIEW** Single panel medicine cabinet.....4-5



**BI-VIEW** Double panel medicine cabinet .....6-7



**TRI-VIEW** Triple panel medicine cabinet .....8-9



**MIRROR TOWER SHELF** ..... 10-11

**ADDITIONAL GLASS SHELVES**..... 12

# FEATURES + BENEFITS

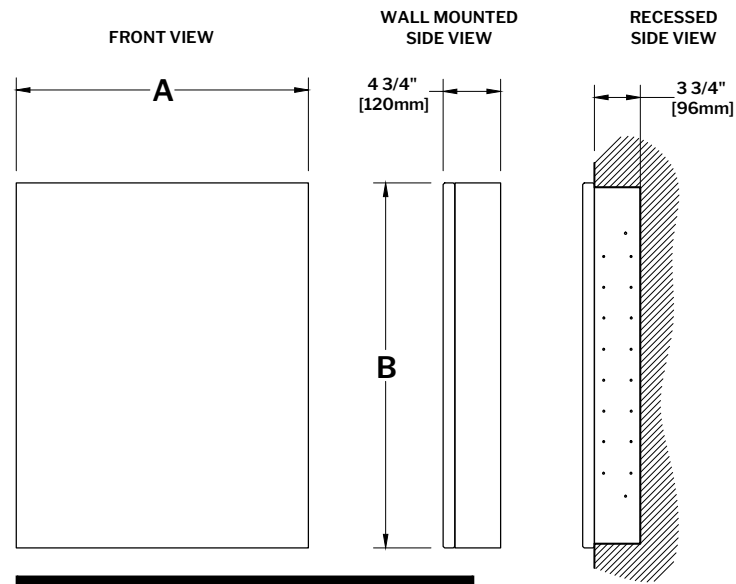


# SINGLE VIEW SINGLE PANEL MEDICINE CABINET



MODEL	CABINET SIZE	ROUGH OPENING SIZE FOR RECESSED	EDGES	*ADDITIONAL SHELVES PAGE 12	PRICE
MCS1519A-11	15" x 19"	14 3/8" W x 18 3/8" H x 3 3/4" D	FLAT	MC-SHELF-15	\$410
MCS1519B-11	15" x 19"		1/2" BEVEL		\$470
MCS1530A-11	15" x 30"	14 3/8" W x 29 3/8" H x 3 3/4" D	FLAT	MC-SHELF-15	\$494
MCS1530B-11	15" x 30"		1/2" BEVEL		\$566
MCS1536A-11	15" x 36"	14 3/8" W x 35 3/8" H x 3 3/4" D	FLAT	MC-SHELF-15	\$558
MCS1536B-11	15" x 36"		1/2" BEVEL		\$639
MCS2430A-11	24" x 30"	23 3/8" W x 29 3/8" H x 3 3/4" D	FLAT	MC-SHELF-24/36L	\$618
MCS2430B-11	24" x 30"		1/2" BEVEL		\$707
MCS2436A-11	24" x 36"	23 3/8" W x 35 3/8" H x 3 3/4" D	FLAT	MC-SHELF-24/36L	\$737
MCS2436B-11	24" x 36"		1/2" BEVEL		\$847

\*Additional Glass Shelves available, see page 12 for pricing.  
NOTE: Surface mount kit included for wall mounted installation.



MODEL	A	B
MCS1519A or B-11	15" [380MM]	19" [480MM]
MCS1530A or B-11	15" [380MM]	30" [760MM]
MCS1536A or B-11	15" [380MM]	36" [915MM]
MCS2430A or B-11	24" [610MM]	30" [760MM]
MCS2436A or B-11	24" [610MM]	36" [915MM]



FLAT



1/2" BEVEL

Tolerance on dimensions: ± 1/8" (3mm)

US | 2020

## SINGLE VIEW



MODEL MCS2430B-11

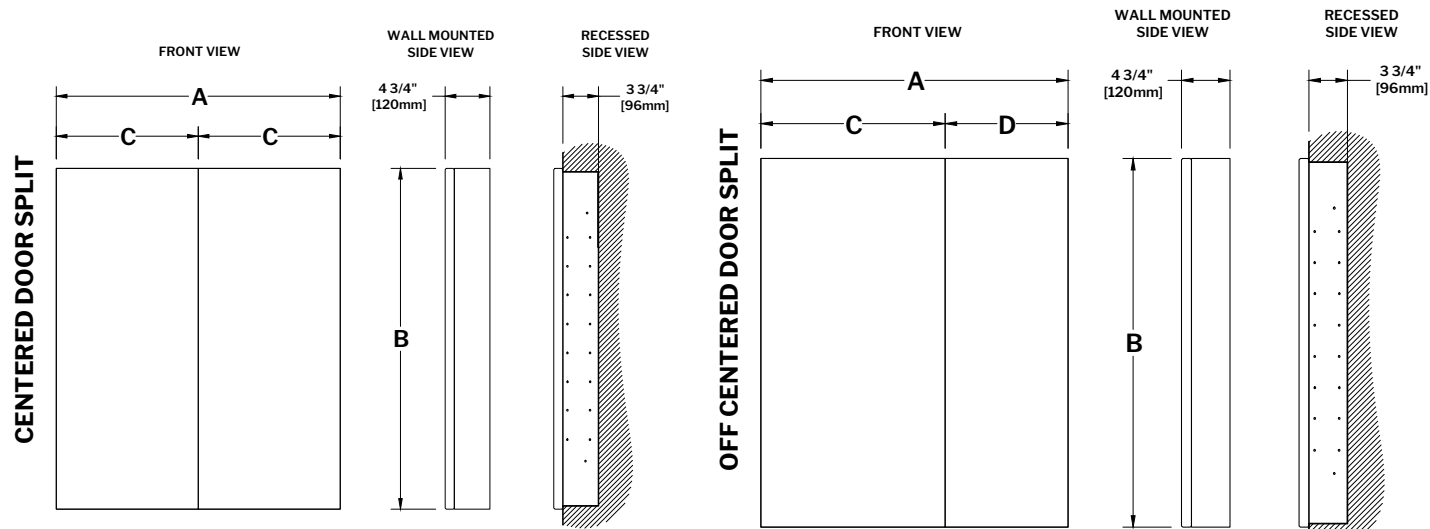
www.fleurco.com

# BI-VIEW DOUBLE PANEL MEDICINE CABINET

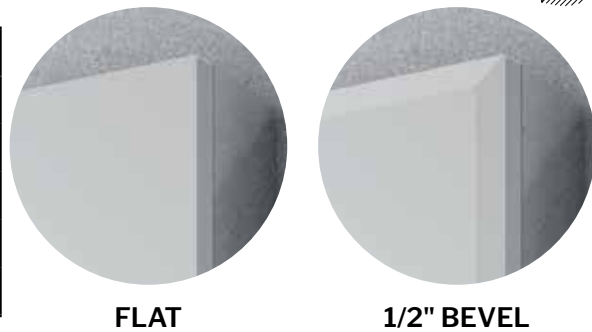


MODEL	CABINET SIZE	ROUGH OPENING SIZE FOR RECESSED	EDGES	DOOR SPLIT	*ADDITIONAL SHELVES PAGE 12	PRICE
MCB2430A-11	24" x 30"	23 3/8" W x 29 3/8" H x 3 3/4" D	FLAT	CENTER	MC-SHELF-24/36L	\$681
MCB2430B-11	24" x 30"		1/2" BEVEL	CENTER		\$751
MCB2519A-11	25" x 19"	24 3/8" W x 18 3/8" H x 3 3/4" D	FLAT	CENTER	MC-SHELF-25	\$583
MCB2519B-11	25" x 19"		1/2" BEVEL	CENTER		\$669
MCB3030A-11	30" x 30"	29 3/8" W x 29 3/8" H x 3 3/4" D	FLAT	OFF CENTER	MC-SHELF-30	\$770
MCB3030B-11	30" x 30"		1/2" BEVEL	OFF CENTER		\$882
MCB3036A-11	30" x 36"	29 3/8" W x 35 3/8" H x 3 3/4" D	FLAT	OFF CENTER	MC-SHELF-30	\$922
MCB3036B-11	30" x 36"		1/2" BEVEL	OFF CENTER		\$1,055
MCB3121A-11	31" x 21"	30 3/8" W x 20 3/8" H x 3 3/4" D	FLAT	OFF CENTER	MC-SHELF-31	\$690
MCB3121B-11	31" x 21"		1/2" BEVEL	OFF CENTER		\$791

\*Additional Glass Shelves available, see page 12 for pricing.  
NOTE: Surface mount kit included for wall mounted installation.



MODEL	A	B	C	D
MCB2430A or B-11	24" [610MM]	30" [760MM]	12" [305MM]	N/A
MCB2519A or B-11	25" [635MM]	19" [480MM]	12 1/2" [320MM]	N/A
MCB3030A or B-11	30" [760MM]	30" [760MM]	18" [460MM]	12" [305MM]
MCB3036A or B-11	30" [760MM]	36" [915MM]	18" [460MM]	12" [305MM]
MCB3121A or B-11	31" [790MM]	21" [535MM]	19" [480MM]	12" [305MM]



## BI-VIEW



MODEL MCB3030A-11

www.fleurco.com

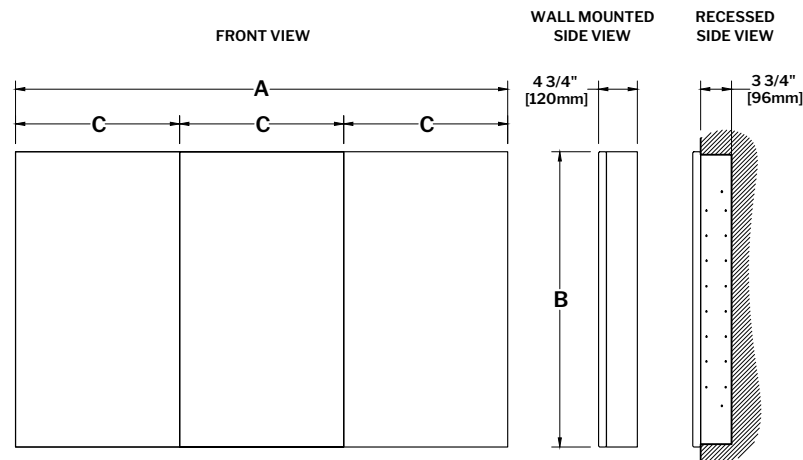


# TRI-VIEW TRIPLE PANEL MEDICINE CABINET



MODEL	CABINET SIZE	ROUGH OPENING SIZE FOR RECESSED	EDGES	*ADDITIONAL SHELVES PAGE 12	PRICE
MCT3630A-11	36" x 30"	35 3/8" W x 29 3/8" H x 3 3/4" D	FLAT	MC-SHELF-36S	\$990
MCT3630B-11	36" x 30"		1/2" BEVEL	MC-SHELF-24/36L	\$1,135
MCT3636A-11	36" x 36"	35 3/8" W x 35 3/8" H x 3 3/4" D	FLAT	MC-SHELF-36S	\$1,039
MCT3636B-11	36" x 36"		1/2" BEVEL	MC-SHELF-24/36L	\$1,191
MCT4830A-11	48" x 30"	47 3/8" W x 29 3/8" H x 3 3/4" D	FLAT	MC-SHELF-48S	\$1,074
MCT4830B-11	48" x 30"		1/2" BEVEL	MC-SHELF-48L	\$1,231
MCT4836A-11	48" x 36"	47 3/8" W x 35 3/8" H x 3 3/4" D	FLAT	MC-SHELF-48S	\$1,196
MCT4836B-11	48" x 36"		1/2" BEVEL	MC-SHELF-48L	\$1,371
MCT6030A-11	60" x 30"	59 3/8" W x 29 3/8" H x 3 3/4" D	FLAT	MC-SHELF-60S	\$1,214
MCT6030B-11	60" x 30"		1/2" BEVEL	MC-SHELF-60L	\$1,392
MCT6036A-11	60" x 36"	59 3/8" W x 35 3/8" H x 3 3/4" D	FLAT	MC-SHELF-60S	\$1,448
MCT6036B-11	60" x 36"		1/2" BEVEL	MC-SHELF-60L	\$1,661

\*Additional Glass Shelves available, see page 12 for pricing.  
NOTE: Surface mount kit included for wall mounted installation.



MODEL	A	B	C
MCT3630A or B-11	36" [915MM]	30" [760MM]	12" [305MM]
MCT3636A or B-11	36" [915MM]	36" [915MM]	12" [305MM]
MCT4830A or B-11	48" [1220MM]	30" [760MM]	16" [405MM]
MCT4836A or B-11	48" [1220MM]	36" [915MM]	16" [405MM]
MCT6030A or B-11	60" [1525MM]	30" [760MM]	20" [510MM]
MCT6036A or B-11	60" [1525MM]	36" [915MM]	20" [510MM]



FLAT



1/2" BEVEL

Tolerance on dimensions: ± 1/8" (3mm)

US | 2020

## TRI-VIEW



MODEL MCT4830A-11

www.fleurco.com

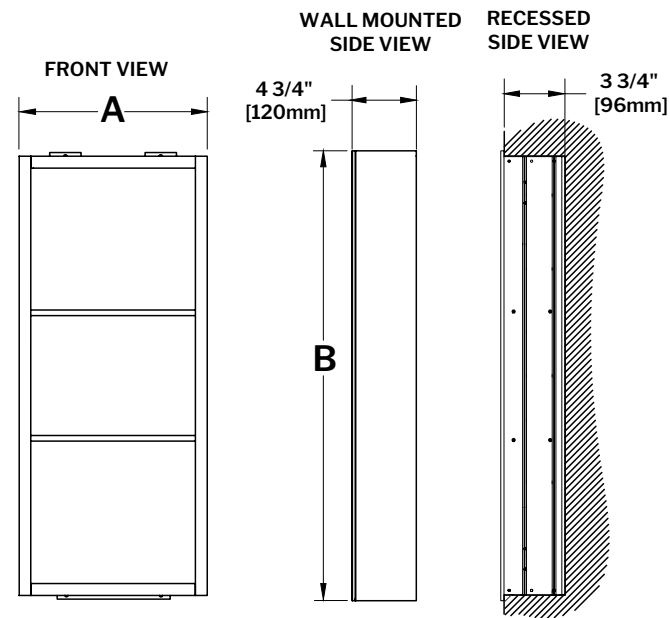


# MIRROR TOWER SHELF



MODEL	CABINET SIZE	ROUGH OPENING SIZE FOR RECESSED	PRICE
MCND1230-11	12" x 30"	11 3/8" W x 29 3/8" H x 3 3/4" D	\$325
MCND1236-11	12" x 36"	11 3/8" W x 35 3/8" H x 3 3/4" D	\$337

Metal shelves.  
NOTE: Surface mount kit included for wall mounted installation.



MODEL	A	B
MCND1230-11	12" [305MM]	30" [760MM]
MCND1236-11	12" [305MM]	36" [915MM]

# MIRROR TOWER SHELF



MODEL MCND1230-11

[www.fleurco.com](http://www.fleurco.com)



# ADDITIONAL GLASS SHELVES



## ADDITIONAL SHELVES FOR SINGLE VIEW & BI-VIEW UNITS

SINGLE VIEW AND BI-VIEW UNITS USE ONE LONG SHELF.

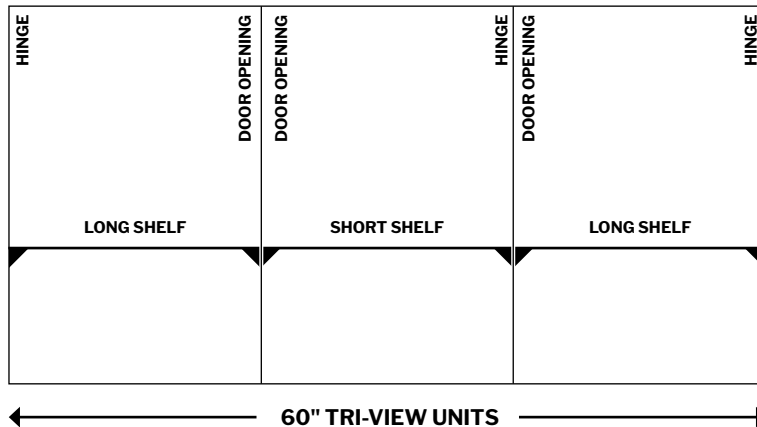
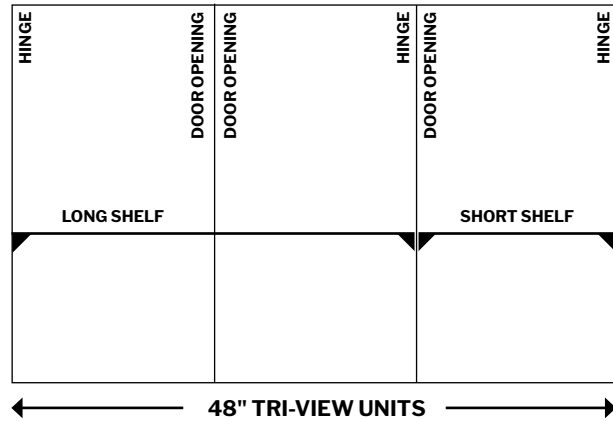
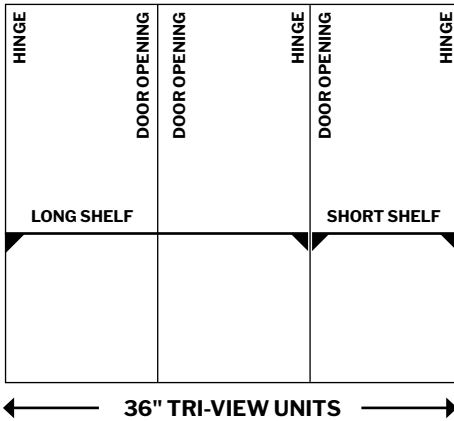
MODEL	DIMENSIONS L x D	PRICE
MC-SHELF-15	13 3/8" x 3 1/2" 339MM x 90MM	\$22
MC-SHELF-24/36L	22 3/8" x 3 1/2" 568MM x 90MM	\$33
MC-SHELF-25	23 3/8" x 3 1/2" 594MM x 90MM	\$33
MC-SHELF-30	28 3/8" x 3 1/2" 720MM x 90MM	\$41
MC-SHELF-31	29 3/8" x 3 1/2" 745MM x 90MM	\$41

## ADDITIONAL SHELVES FOR TRI-VIEW UNITS

TRI-VIEW UNITS USE LONG & SHORT SHELVES.  
SEE BELOW FOR ARRANGEMENTS.

MODEL	DIMENSIONS L x D	PRICE
MC-SHELF-36S	11 3/16" x 3 1/2" 284MM x 90MM	\$21
MC-SHELF-24/36L	22 3/8" x 3 1/2" 568MM x 90MM	\$33
MC-SHELF-48S	15 3/16" x 3 1/2" 385MM x 90MM	\$23
MC-SHELF-48L	30 1/4" x 3 1/2" 769MM x 90MM	\$42
MC-SHELF-60S	18 1/4" x 3 1/2" 464MM x 90MM	\$28
MC-SHELF-60L	19 3/16" x 3 1/2" 487MM x 90MM	\$28

CODE EXAMPLE:  
36S = SHORT SHELF FOR 36" WIDE UNIT.  
36L = LONG SHELF FOR 36" WIDE UNIT.



Tolerance on dimensions: ± 1/8" (3mm)