



FEATURES + BENEFITS2-3



HALO bathroom mirror4-5



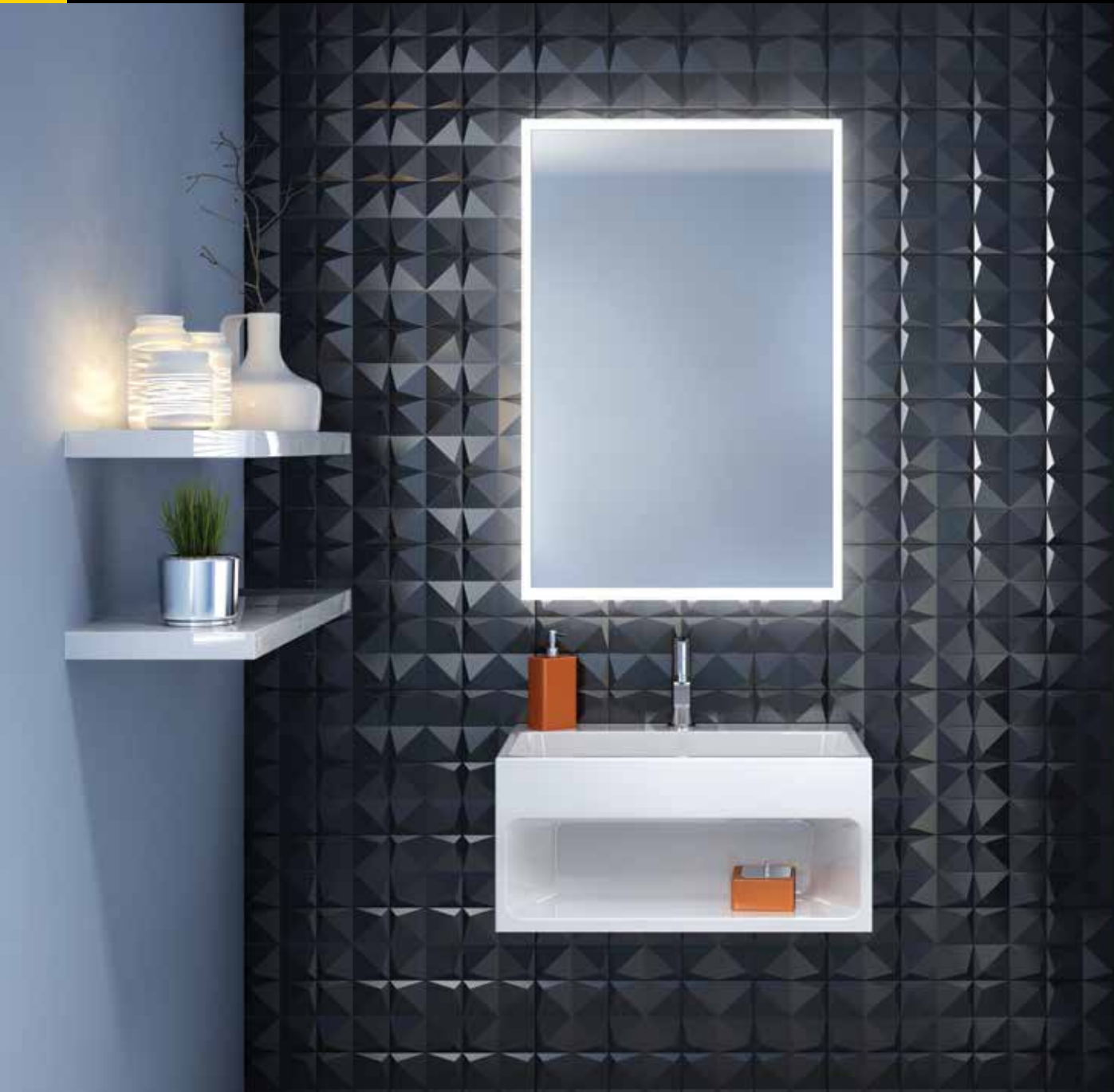
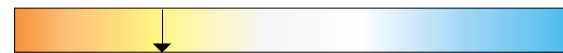
SUNRIZE bathroom mirror6-7



PANDORA mirror8-9

DIMMER SPECIFICATIONS 10

TECHNICAL DRAWINGS..... 11-12

**3500K WARM WHITE LIGHT**

Kelvin (K) is a unit of measurement used to describe the hue of a specific light source. This is not necessarily related to the heat output of the light source but rather the color of the light output. The higher the Kelvin value of the light source, the closer the light's color output will be to actual daylight. Lumens is the measure of the total quantity of visible light emitted by a source.



Rely on UL, one of the world's leading independent product testing organizations, when you want to ensure that the luminaires and lighting system controls you buy and use in your environment are high performing, reliable and safe. When you look for quality, look for the UL Mark.

HALO BATHROOM MIRROR

	MODEL	SIZE	PRICE	DEFOGGER
VERTICAL	MHAR2424	24" x 24"	\$602	Single centered
	MHA1836	18" x 36"	\$643	Single centered
	MHA2136	21" x 36"	\$683	Single centered
	MHA2436	24" x 36"	\$756	Single centered
	MHA3036	30" x 36"	\$971	Single centered
	MHA3636	36" x 36"	\$1,035	Single centered
HORIZONTAL	MHA4236	42" x 36"	\$1,113	Double centered
	MHA4836	48" x 36"	\$1,209	Double centered
	MHA5436	54" x 36"	\$1,287	Double split
	MHA6036	60" x 36"	\$1,388	Double split
	MHA7236	72" x 36"	\$1,544	Double split

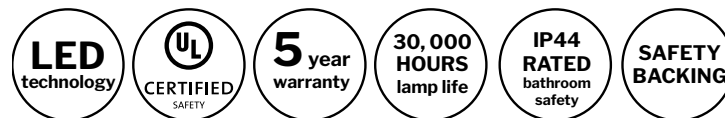
For dimmer instructions, see page 10*

*Dimmer not compatible with MHAR2424

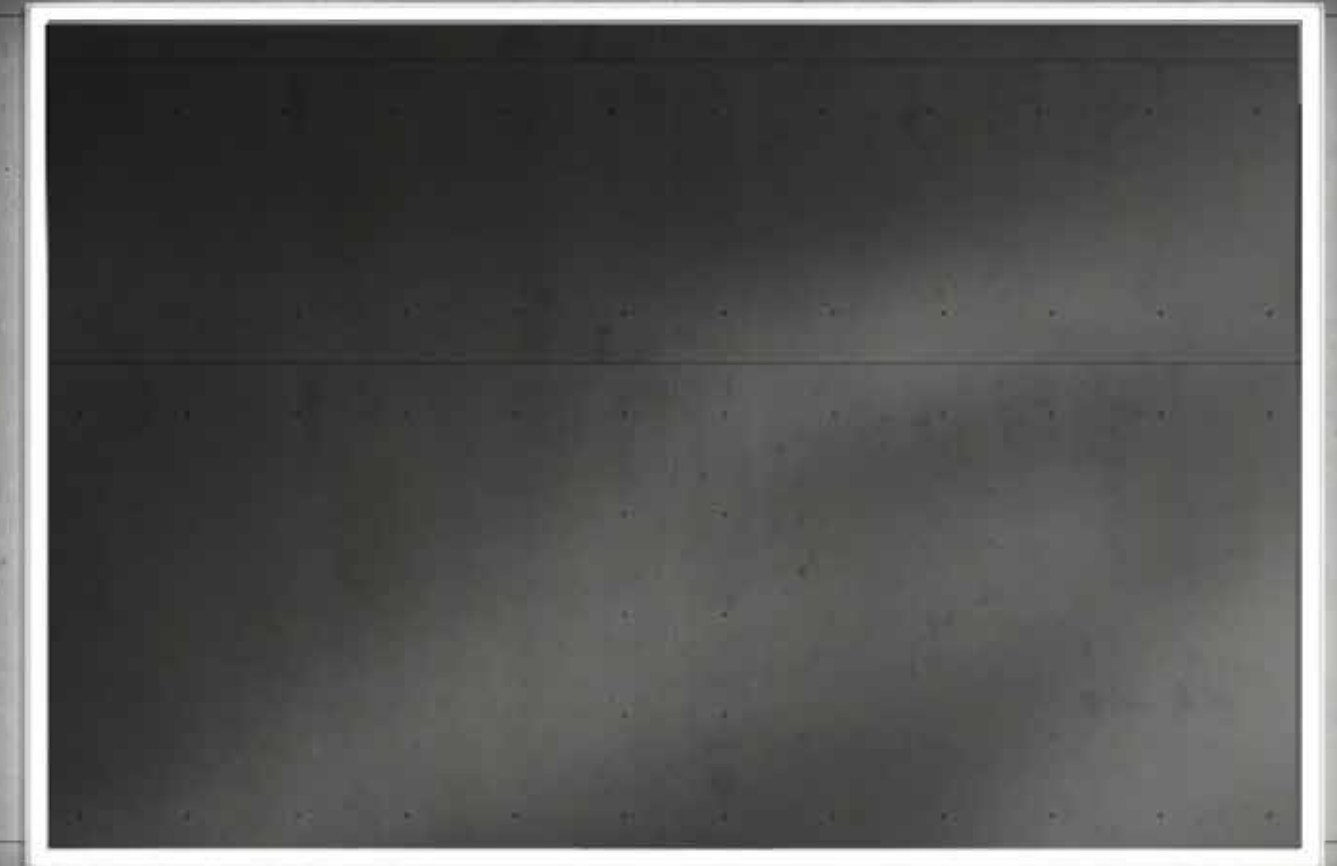
For technical drawings, see page 11

TECHNICAL SPECS

MODEL	LUMENS	KELVIN	WATTS	INPUT
MHAR2424	1353 L	CCT 3500 K	20W	120V AC, 50/60Hz
MHA1836	1517 L	CCT 3500 K	43W	120V AC, 50/60Hz
MHA2136	1650 L	CCT 3500 K	45W	120V AC, 50/60Hz
MHA2436	1725 L	CCT 3500 K	45W	120V AC, 50/60Hz
MHA3036	1905 L	CCT 3500 K	50W	120V AC, 50/60Hz
MHA3636	2100 L	CCT 3500 K	50W	120V AC, 50/60Hz
MHA4236	2280 L	CCT 3500 K	77W	120V AC, 50/60Hz
MHA4836	2460 L	CCT 3500 K	79W	120V AC, 50/60Hz
MHA5436	2625 L	CCT 3500 K	85W	120V AC, 50/60Hz
MHA6036	2835 L	CCT 3500 K	80W	120V AC, 50/60Hz
MHA7236	3195 L	CCT 3500 K	85W	120V AC, 50/60Hz



HALO



HALO ROUND MHAR2424

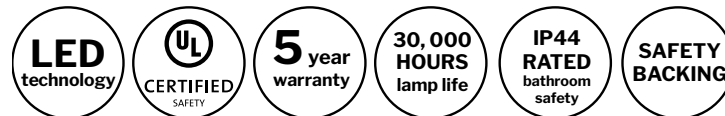
SUNRIZE BATHROOM MIRROR

	MODEL	SIZE	PRICE	DEFOGGER
VERTICAL	MSU2436	24" x 36"	\$568	Single centered
	MSU3036	30" x 36"	\$694	Single centered
	MSU3636	36" x 36"	\$708	Single centered
HORIZONTAL	MSU4236	42" x 36"	\$728	Double centered
	MSU4836	48" x 36"	\$781	Double centered

For dimmer instructions, see page 10
For technical drawings, see page 12

TECHNICAL SPECS

MODEL	LUMENS	KELVIN	WATTS	INPUT
MSU2436	630 L	CCT 3500 K	40W	120V AC, 50/60Hz
MSU3036	630 L	CCT 3500 K	40W	120V AC, 50/60Hz
MSU3636	630 L	CCT 3500 K	40W	120V AC, 50/60Hz
MSU4236	630 L	CCT 3500 K	65W	120V AC, 50/60Hz
MSU4836	630 L	CCT 3500 K	65W	120V AC, 50/60Hz



SUNRIZE



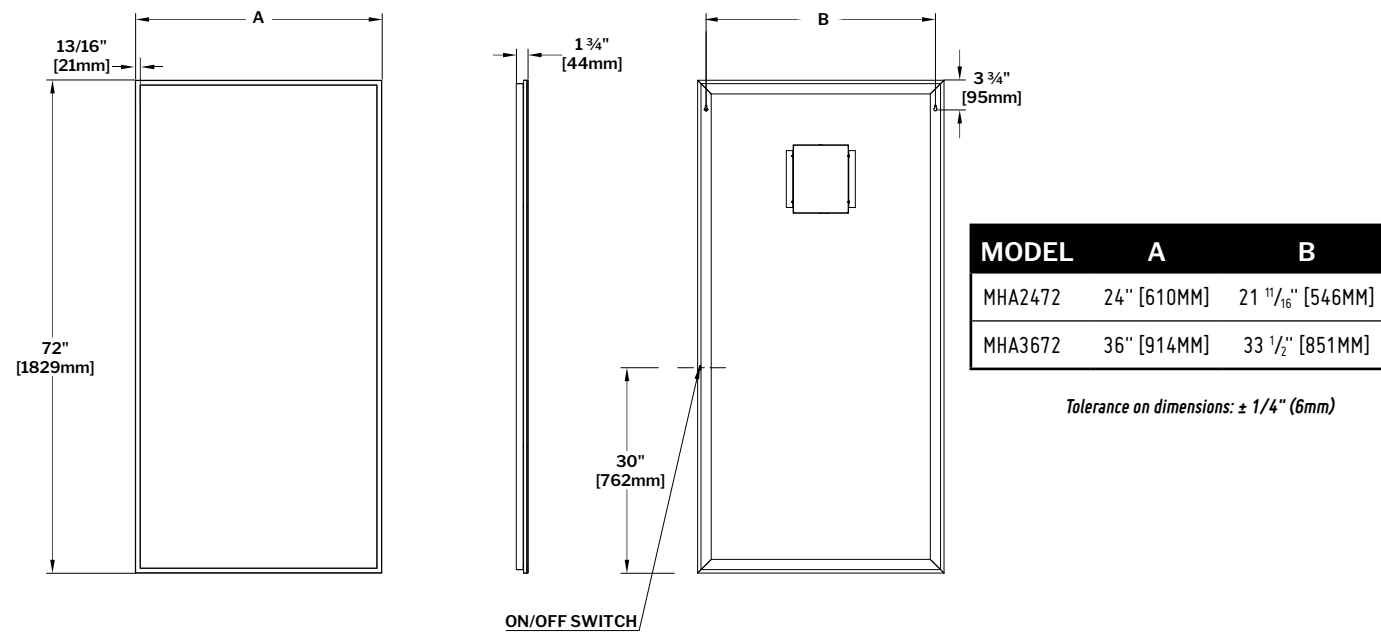
PANDORA MIRROR

MODEL	SIZE	PRICE	DEFOGGER
MHA2472	24" x 72"	\$1,232	N/A
MHA3672	36" x 72"	\$1,364	N/A

For dimmer instructions, see page 10

TECHNICAL SPECS

MODEL	LUMENS	KELVIN	WATTS	INPUT
MHA2472	2835 L	CCT 3500 K	31W	120V AC, 50/60Hz
MHA3672	3230 L	CCT 3500 K	33W	120V AC, 50/60Hz

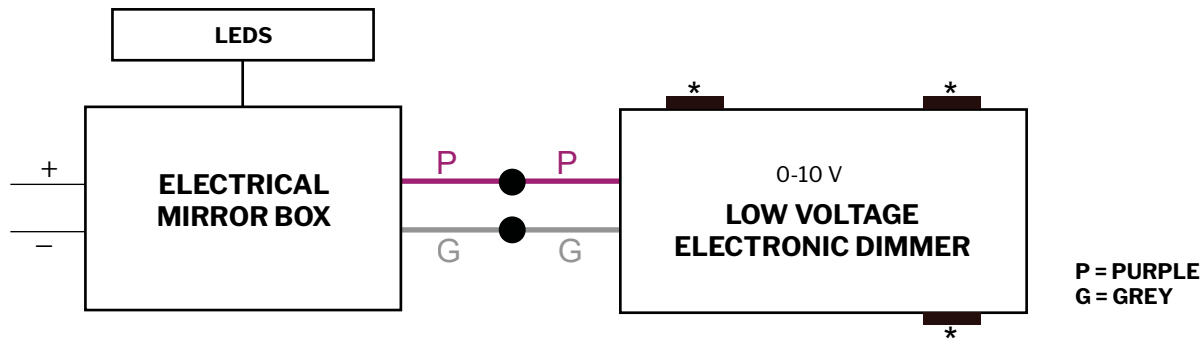


PANDORA



LIGHTED MIRRORS CONNECTION DIAGRAM

MIRROR TO WALL DIMMER

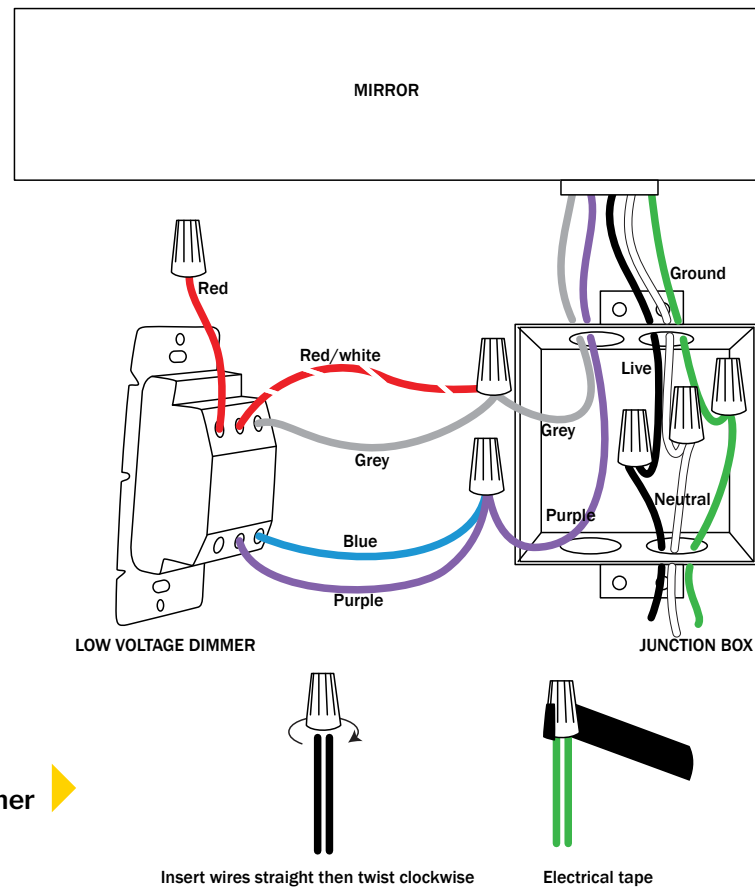


***FOLLOW MANUFACTURER INSTRUCTIONS FOR DIMMER INSTALLATION**

DIMMER SPECIFICATIONS:
0-10V low voltage electric dimmer for LED lights.

NOTE:
These electric components can be purchased at specialized electrical retailers. All wire extensions must be of low voltage type.

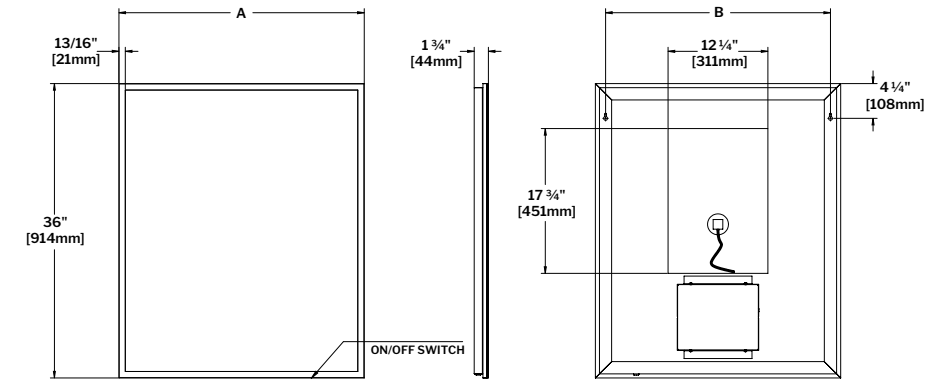
MODELS SUGGESTED:
DIVA DDTV from LUTRON
IllumaTech IP710 from LEVITON
DEVINE DF10P from COOPER
SKYE SF10P COOPER



Wiring diagram for Lutron Diva DDTV Low Voltage Dimmer

HALO TECHNICAL DRAWINGS

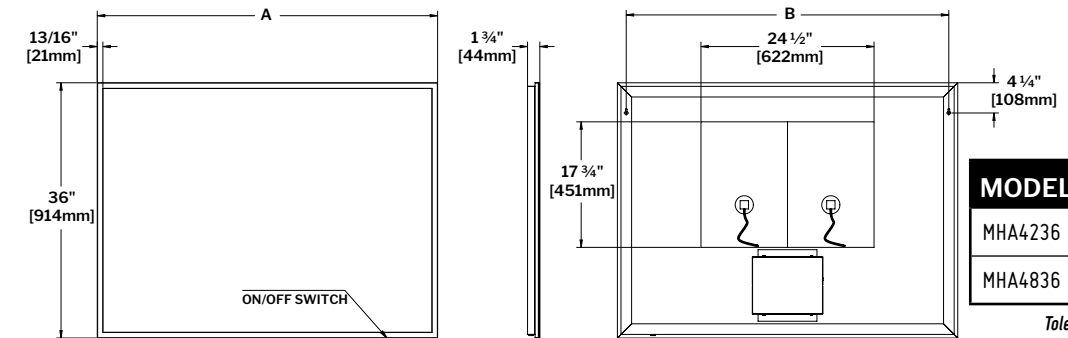
SINGLE CENTERED DEFOGGER



MODEL	A	B
MHA1836	18" [457MM]	15 1/2" [394MM]
MHA2136	21" [533MM]	18 1/2" [470MM]
MHA2436	24" [610MM]	21 1/2" [546MM]
MHA3036	30" [762MM]	27 1/2" [699MM]
MHA3636	36" [914MM]	33 1/2" [851MM]

Tolerance on dimensions: ± 1/4" (6mm)

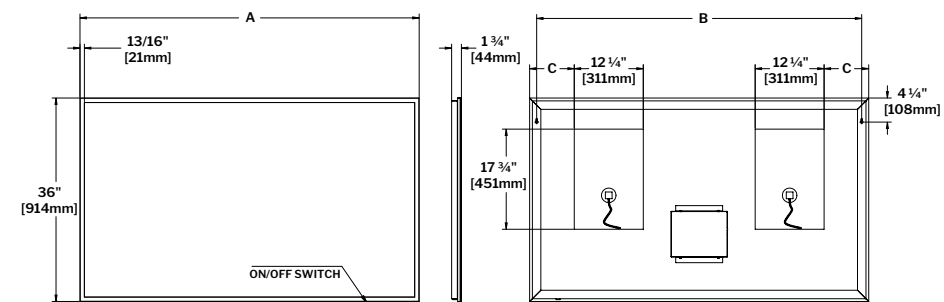
DOUBLE CENTERED DEFOGGER



MODEL	A	B
MHA4236	42" [1067MM]	39 1/2" [1003MM]
MHA4836	48" [1219MM]	45 1/2" [1156MM]

Tolerance on dimensions: ± 1/4" (6mm)

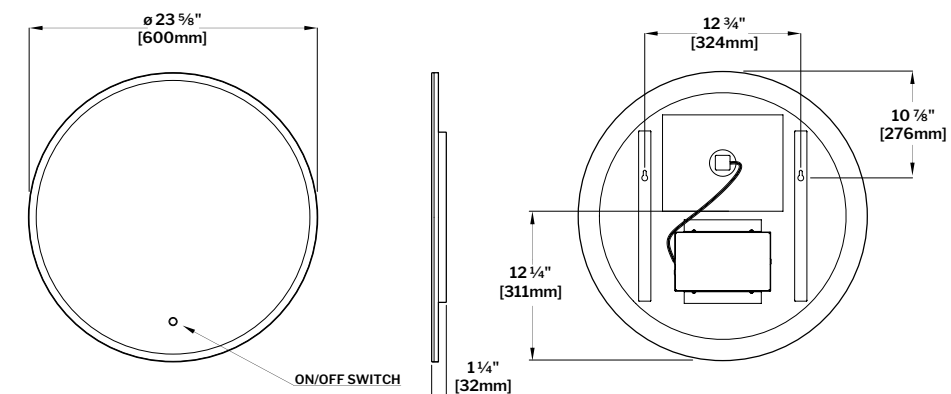
DOUBLE SPLIT DEFOGGER



MODEL	A	B	C
MHA5436	54" [1372MM]	51 1/2" [1308MM]	12 1/4" [311MM]
MHA6036	60" [1524MM]	57 1/2" [1461MM]	8" [203MM]
MHA7236	72" [1829MM]	69 1/2" [1765MM]	10" [254MM]

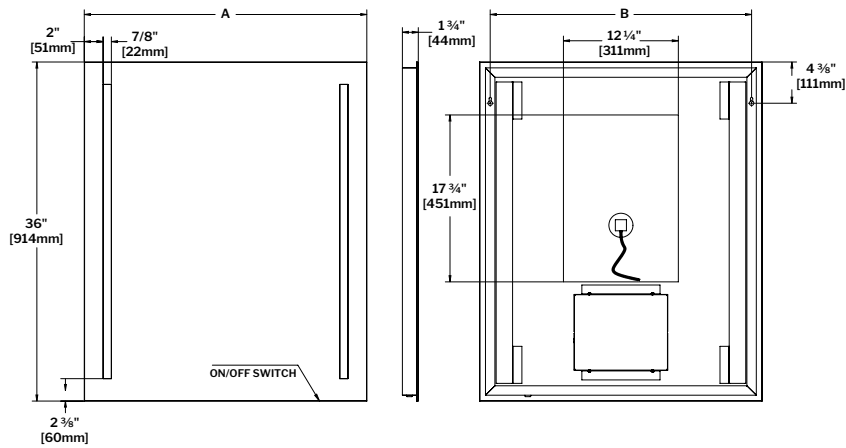
Tolerance on dimensions: ± 1/4" (6mm)

HALO ROUND



Tolerance on dimensions: ± 1/4" (6mm)

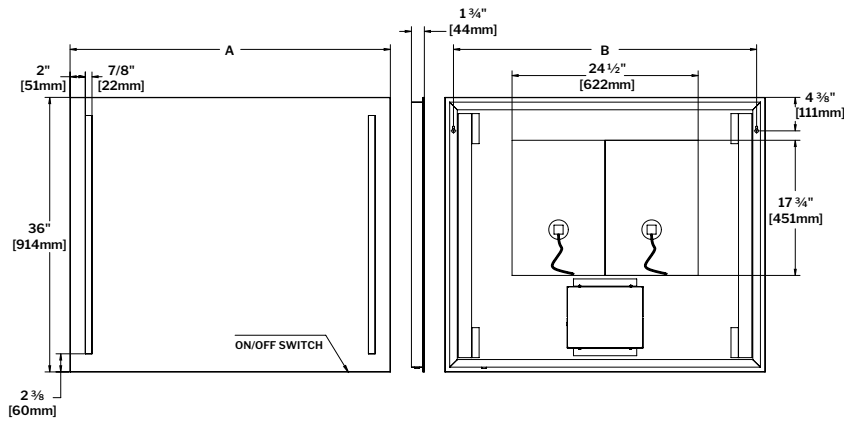
SINGLE CENTERED DEFOGGER



MODEL	A	B
MSU2436	24" [610MM]	21 3/4" [552MM]
MSU3036	30" [762MM]	27 3/4" [705MM]
MSU3636	36" [914MM]	33 3/4" [857MM]

Tolerance on dimensions: $\pm 1/4"$ (6mm)

DOUBLE CENTERED DEFOGGER



MODEL	A	B
MSU4236	42" [1067MM]	39 3/4" [1010MM]
MSU4836	48" [1219MM]	45 3/4" [1162MM]

Tolerance on dimensions: $\pm 1/4"$ (6mm)