

BYPASS IN-LINE SHOWERS



GEMINI PLUS..... 2-3
 Frameless sliding doors
 Sizes: 48, 54, 60

M SEKUR⁺ ● ● ● ● C Mi



GEMINI..... 4-5
 Frameless sliding doors
 Sizes: 48, 54, 60

M SEKUR⁺ ● ● ● ● C

NEW!
 REVERSIBLE



MERCURY..... 6-7
 Frameless sliding doors
 Sizes: 48, 60, 72

M SEKUR⁺ + EZ Clean ● ● ● C



CORDOBA PLUS..... 8-9
 Semi-frameless sliding doors
 Sizes: 48, 60, 72

SEKUR⁺ ● ● ● C



CORDOBA..... 10-11
 Semi-frameless sliding doors
 Sizes: 46, 48, 56, 60

SEKUR⁺ ● ● C

M Glass surface protection



See website for more information

SEKUR⁺ Safety Protection



See information page at the end of the section

Available finishes

- Chrome
- Brushed Nickel
- Matte Black
- Brushed Gold

Glass type

- C Clear
- Mi Mist

FLEURCO INC. **CANADA** Tel: 1.514.326.2222 | Toll Free: 1.800.993.0033 | Fax: 1.514.326.2008 | www.fleurco.com

FLEURCO INC. **USA EAST** Tel: 856.778.0110 | Toll Free: 1.888.568.2121 | Fax: 1.888.854.1020

FLEURCO INC. **USA SOUTHEAST** Tel: 239.401.6612 | Toll Free: 1.888.877.6008

FLEURCO INC. **USA MIDWEST** Tel: 630.607.0847 | Toll Free: 1.888.263.3651 | Fax: 331.225.2549

FLEURCO INC. **USA WEST** Tel: 562.368.8800 | Toll Free: 1.877.413.2880 | Fax: 562.368.8812

GEMINI PLUS In-line

Frameless sliding doors



Glass surface protection



3/8" (10 mm) Tempered glass • 79" Height

BYPASS 48

45" to 48" W x 79" H • Approx. entry: 20 1/4" to 23 1/4"

MODEL	FINISH	GLASS	PRICE
NPS148-11-40	Chrome	Clear	\$1,657
NPS148-25-40	Brushed Nickel	Clear	\$1,716
NPS148-33-40	Matte Black	Clear	\$1,751
NPS148-12-40	Brushed Gold	Clear	\$2,126
NPS148-11-80	Chrome	Mist	\$1,793
NPS148-25-80	Brushed Nickel	Mist	\$1,853
NPS148-33-80	Matte Black	Mist	\$1,886
NPS148-12-80	Brushed Gold	Mist	\$2,261
BASE	SIZE	PRICE	
ADQ3248-18	48" x 32" x 2 3/4"	\$1,166	
ADQ3448-18	48" x 34" x 2 3/4"	\$1,188	
ABE3648-18-11 or 25-B	48" x 36" x 3"	\$2,214	
ADQ3648-18	48" x 36" x 2 3/4"	\$925	
ATAS2-3648- ₋	48" x 36" x 1 3/8"	\$1,348	
AU_3648-33	48" x 36" x 2 3/4"	\$1,459	
AULV3648-18	48" x 36" x 1 1/2"*	\$1,328	
ABF4836-18-3-B	48" x 36" x 2 3/4"	\$968	
ADT4836-18-3	48" x 36" x 3"	\$793	
ALT4836-18-3	48" x 36" x 2 3/4"	\$793	
AZM4836-18-11 or 25-B	48" x 36" x 1 3/8"*	\$1,472	
ADT4842-18-3	48" x 42" x 3"	\$1,261	

*Unfinished height of threshold

For more information on bases, see bases booklet or www.fleurco.com

BYPASS 54

51" to 54" W x 79" H • Approx. entry: 23 1/4" to 26 1/4"

MODEL	FINISH	GLASS	PRICE
NPS154-11-40	Chrome	Clear	\$1,742
NPS154-25-40	Brushed Nickel	Clear	\$1,779
NPS154-33-40	Matte Black	Clear	\$1,806
NPS154-12-40	Brushed Gold	Clear	\$2,197
NPS154-11-80	Chrome	Mist	\$1,880
NPS154-25-80	Brushed Nickel	Mist	\$1,916
NPS154-33-80	Matte Black	Mist	\$1,943
NPS154-12-80	Brushed Gold	Mist	\$2,335
BASE	SIZE	PRICE	
ADT5436-18-3	54" x 36" x 3"	\$1,179	

For more information on bases, see bases booklet or www.fleurco.com

BYPASS 60

57" to 60" W x 79" H • Approx. entry: 26 1/4" to 29 1/4"

MODEL	FINISH	GLASS	PRICE
NPS160-11-40	Chrome	Clear	\$1,848
NPS160-25-40	Brushed Nickel	Clear	\$1,883
NPS160-33-40	Matte Black	Clear	\$1,919
NPS160-12-40	Brushed Gold	Clear	\$2,235
NPS160-11-80	Chrome	Mist	\$1,986
NPS160-25-80	Brushed Nickel	Mist	\$2,019
NPS160-33-80	Matte Black	Mist	\$2,056
NPS160-12-80	Brushed Gold	Mist	\$2,372
BASE	SIZE	PRICE	
ADQ3060-18	60" x 30" x 2 3/4"	\$987	
ABE3260-18-11 or 25-B	60" x 32" x 3"	\$2,264	
ADQ3260-18	60" x 32" x 2 3/4"	\$1,014	
ATAS2-3260- ₋	60" x 32" x 1 1/2"	\$1,493	
AU_3260-33	60" x 32" x 2 3/4"	\$1,562	
AULV3260-18	60" x 32" x 1 1/2"*	\$1,479	
ABF6032-18-L3 or R3-B	60" x 32" x 2 3/4"	\$1,041	
ADT6032-18-L3 or R3	60" x 32" x 3"	\$871	
ALT6032-18-L3 or R3	60" x 32" x 2 3/4"	\$871	
AZM6032-18-11 or 25-B	60" x 32" x 1 3/8"*	\$1,586	
ADQ3460-18	60" x 34" x 2 3/4"	\$1,306	
ABE3660-18-11 or 25-B	60" x 36" x 3"	\$2,305	
ADQ3660-18	60" x 36" x 2 3/4"	\$1,041	
ATAS2-3660- ₋	60" x 36" x 1 3/8"	\$1,659	
AU_3660-33	60" x 36" x 2 3/4"	\$1,756	
AULV3660-18	60" x 36" x 1 1/2"*	\$1,648	
ABF6036-18-3-B	60" x 36" x 2 3/4"	\$1,065	
ADT6036-18-3	60" x 36" x 3"	\$896	
ALT6036-18-3	60" x 36" x 2 3/4"	\$896	
AZM6036-18-11 or 25-B	60" x 36" x 1 3/8"*	\$1,638	
ADQ4260-18	60" x 42" x 2 3/4"	\$1,523	
ADQ4860-18	60" x 48" x 2 3/4"	\$1,630	

*Unfinished height of threshold

For more information on bases, see bases booklet or www.fleurco.com



GEMINI PLUS In-line

Frameless sliding doors

10
year limited
warranty

2 sliding door panels for right or left hand entry

Anti-jump safety roller system

3/8" (10mm) clear or mist tempered glass

Shower door height: 79"

Chrome, Brushed Nickel, Matte Black & Brushed Gold finishes

 **FLEURCO™SEKUR⁺**
SAFETY PROTECTION*
*5 year limited warranty

 **Microtek®**
FLEURCO
Glass surface protection

1/4" (6 mm) Tempered clear glass • 75" Height

BYPASS 48

45" to 48" W x 75" H • Approx. entry: 20 1/4" to 23 1/4"

MODEL	FINISH	PRICE
NGS148-11-40	Chrome	\$1,372
NGS148-25-40	Brushed Nickel	\$1,406
NGS148-33-40	Matte Black	\$1,435
NGS148-12-40	Brushed Gold	\$1,708
BASE	SIZE	PRICE
ADQ3248-18	48" x 32" x 2 3/4"	\$1,166
ADQ3448-18	48" x 34" x 2 3/4"	\$1,188
ABE3648-18-11 or 25-B	48" x 36" x 3"	\$2,214
ADQ3648-18	48" x 36" x 2 3/4"	\$925
ATAS2-3648- <u> </u>	48" x 36" x 1 3/8"	\$1,348
AU_3648-33	48" x 36" x 2 3/4"	\$1,459
AULV3648-18	48" x 36" x 1 1/2"*	\$1,328
ABF4836-18-3-B	48" x 36" x 2 3/4"	\$968
ADT4836-18-3	48" x 36" x 3"	\$793
ALT4836-18-3	48" x 36" x 2 3/4"	\$793
AZM4836-18-11 or 25-B	48" x 36" x 1 3/8"*	\$1,472
ADT4842-18-3	48" x 42" x 3"	\$1,261

*Unfinished height of threshold

For more information on bases, see bases booklet or www.fleurco.com

BYPASS 54

51" to 54" W x 75" H • Approx. entry: 23 1/4" to 26 1/4"

MODEL	FINISH	PRICE
NGS154-11-40	Chrome	\$1,408
NGS154-25-40	Brushed Nickel	\$1,448
NGS154-33-40	Matte Black	\$1,481
NGS154-12-40	Brushed Gold	\$1,750
BASE	SIZE	PRICE
ADT5436-18-3	54" x 36" x 3"	\$1,179

For more information on bases, see bases booklet or www.fleurco.com

BYPASS 60

57" to 60" W x 75" H • Approx. entry: 26 1/4" to 29 1/4"

MODEL	FINISH	PRICE
NGS160-11-40	Chrome	\$1,471
NGS160-25-40	Brushed Nickel	\$1,511
NGS160-33-40	Matte Black	\$1,546
NGS160-12-40	Brushed Gold	\$1,870
BASE	SIZE	PRICE
ADQ3060-18	60" x 30" x 2 3/4"	\$987
ABE3260-18-11 or 25-B	60" x 32" x 3"	\$2,264
ADQ3260-18	60" x 32" x 2 3/4"	\$1,014
ATAS2-3260- <u> </u>	60" x 32" x 1 1/2"	\$1,493
AU_3260-33	60" x 32" x 2 3/4"	\$1,562
AULV3260-18	60" x 32" x 1 1/2"*	\$1,479
ABF6032-18-L3 or R3-B	60" x 32" x 2 3/4"	\$1,041
ADT6032-18-L3 or R3	60" x 32" x 3"	\$871
ALT6032-18-L3 or R3	60" x 32" x 2 3/4"	\$871
AZM6032-18-11 or 25-B	60" x 32" x 1 3/8"*	\$1,586
ADQ3460-18	60" x 34" x 2 3/4"	\$1,306
ABE3660-18-11 or 25-B	60" x 36" x 3"	\$2,305
ADQ3660-18	60" x 36" x 2 3/4"	\$1,041
ATAS2-3660- <u> </u>	60" x 36" x 1 3/8"	\$1,659
AU_3660-33	60" x 36" x 2 3/4"	\$1,756
AULV3660-18	60" x 36" x 1 1/2"*	\$1,648
ABF6036-18-3-B	60" x 36" x 2 3/4"	\$1,065
ADT6036-18-3	60" x 36" x 3"	\$896
ALT6036-18-3	60" x 36" x 2 3/4"	\$896
AZM6036-18-11 or 25-B	60" x 36" x 1 3/8"*	\$1,638
ADQ4260-18	60" x 42" x 2 3/4"	\$1,523
ADQ4860-18	60" x 48" x 2 3/4"	\$1,630

*Unfinished height of threshold

For more information on bases, see bases booklet or www.fleurco.com

ALL DRAINS SOLD SEPARATELY

DRAIN	Model	Material	Finish	Price
	DRAINABS-11	ABS No-Calk 2" drain	Chrome	\$62
	DRAINABS-25	ABS No-Calk 2" drain	Brushed Nickel	\$81
	DRAINABS-33	ABS No-Calk 2" drain	Matte Black	\$116
	DRAINABS-12	ABS No-Calk 2" drain	Brushed Gold	\$218
	DRAINPVC-11	PVC No-Calk 2" drain	Chrome	\$62
	DRAINPVC-25	PVC No-Calk 2" drain	Brushed Nickel	\$81
	DRAINPVC-33	PVC No-Calk 2" drain	Matte Black	\$90
	DRAINPVC-12	PVC No-Calk 2" drain	Brushed Gold	\$218

*Please check local codes to ensure appropriate drain specifications
For AU (Aurora) bases, please see specialty section in the bases booklet



GEMINI In-line

Frameless sliding doors

10

year limited warranty

2 sliding door panels for right or left hand entry

Anti-jump safety roller system

1/4" (6mm) clear tempered glass

Shower door height: 75"

Chrome, Brushed Nickel, Matte Black & Brushed Gold finishes

 FLEURCO™ SEKUR⁺

SAFETY PROTECTION*

*5 year limited warranty

 Microtek[®]
FLEURCO

Glass surface protection

5/16" (8 mm) Tempered clear glass • 79" or 86" Height

BYPASS 48

45" to 48" W • Approx. entry: 20 ¼" to 23 ¼"

MODEL	FINISH	HEIGHT	PRICE
NMZ148-11-40-79	Chrome	79"	\$1,568
NMZ148-25-40-79	Brushed Nickel	79"	\$1,606
NMZ148-33-40-79	Matte Black	79"	\$1,644
NMZ148-11-40-86	Chrome	86"	\$1,620
NMZ148-25-40-86	Brushed Nickel	86"	\$1,656
NMZ148-33-40-86	Matte Black	86"	\$1,694
BASE	SIZE	PRICE	
ADQ3248-18	48" x 32" x 2 ¾"	\$1,166	
ADQ3448-18	48" x 34" x 2 ¾"	\$1,188	
ABE3648-18-11 or 25-B	48" x 36" x 3"	\$2,214	
ADQ3648-18	48" x 36" x 2 ¾"	\$925	
ATAS2-3648- <u> </u>	48" x 36" x 1 ⅜"	\$1,348	
AU_3648-33	48" x 36" x 2 ¾"	\$1,459	
AULV3648-18	48" x 36" x 1 ½"	\$1,328	
ABF4836-18-3-B	48" x 36" x 2 ¾"	\$968	
ADT4836-18-3	48" x 36" x 3"	\$793	
ALT4836-18-3	48" x 36" x 2 ¾"	\$793	
AZM4836-18-11 or 25-B	48" x 36" x 1 ⅜"	\$1,472	
ADT4842-18-3	48" x 42" x 3"	\$1,261	

*Unfinished height of threshold

For more information on bases, see bases booklet or www.fleurco.com

BYPASS 72

69" to 72" W x 79" H • Approx. entry: 32 ½" to 35 ½"

MODEL	FINISH	HEIGHT	PRICE
NMZ172-11-40-79	Chrome	79"	\$1,910
NMZ172-25-40-79	Brushed Nickel	79"	\$1,948
NMZ172-33-40-79	Matte Black	79"	\$1,988
BASE	SIZE	PRICE	
ADQ3672-18	72" x 36" x 2 ¾"	\$1,569	

For more information on bases, see bases booklet or www.fleurco.com

BYPASS 60

57" to 60" W • Approx. entry: 26 ¼" to 29 ¼"

MODEL	FINISH	HEIGHT	PRICE
NMZ160-11-40-79	Chrome	79"	\$1,767
NMZ160-25-40-79	Brushed Nickel	79"	\$1,805
NMZ160-33-40-79	Matte Black	79"	\$1,843
NMZ160-11-40-86	Chrome	86"	\$1,827
NMZ160-25-40-86	Brushed Nickel	86"	\$1,877
NMZ160-33-40-86	Matte Black	86"	\$1,915
BASE	SIZE	PRICE	
ADQ3060-18	60" x 30" x 2 ¾"	\$987	
ABE3260-18-11 or 25-B	60" x 32" x 3"	\$2,264	
ADQ3260-18	60" x 32" x 2 ¾"	\$1,014	
ATAS2-3260- <u> </u>	60" x 32" x 1 ½"	\$1,493	
AU_3260-33	60" x 32" x 2 ¾"	\$1,562	
AULV3260-18	60" x 32" x 1 ½"	\$1,479	
ABF6032-18-L3 or R3-B	60" x 32" x 2 ¾"	\$1,041	
ADT6032-18-L3 or R3	60" x 32" x 3"	\$871	
ALT6032-18-L3 or R3	60" x 32" x 2 ¾"	\$871	
AZM6032-18-11 or 25-B	60" x 32" x 1 ⅜"	\$1,586	
ADQ3460-18	60" x 34" x 2 ¾"	\$1,306	
ABE3660-18-11 or 25-B	60" x 36" x 3"	\$2,305	
ADQ3660-18	60" x 36" x 2 ¾"	\$1,041	
ATAS2-3660- <u> </u>	60" x 36" x 1 ⅜"	\$1,659	
AU_3660-33	60" x 36" x 2 ¾"	\$1,756	
AULV3660-18	60" x 36" x 1 ½"	\$1,648	
ABF6036-18-3-B	60" x 36" x 2 ¾"	\$1,065	
ADT6036-18-3	60" x 36" x 3"	\$896	
ALT6036-18-3	60" x 36" x 2 ¾"	\$896	
AZM6036-18-11 or 25-B	60" x 36" x 1 ⅜"	\$1,638	
ADQ4260-18	60" x 42" x 2 ¾"	\$1,523	
ADQ4860-18	60" x 48" x 2 ¾"	\$1,630	

*Unfinished height of threshold

For more information on bases, see bases booklet or www.fleurco.com

ALL DRAINS SOLD SEPARATELY

DRAIN	No-Calk™ Shower Base Drain	Model	Material	Finish	Price
DRAINABS-11	ABS No-Calk 2" drain	ABS No-Calk 2" drain	Chrome	\$62	
DRAINABS-25	ABS No-Calk 2" drain	ABS No-Calk 2" drain	Brushed Nickel	\$81	
DRAINABS-33	ABS No-Calk 2" drain	ABS No-Calk 2" drain	Matte Black	\$116	
DRAINABS-12	ABS No-Calk 2" drain	ABS No-Calk 2" drain	Brushed Gold	\$218	
DRAINPVC-11	PVC No-Calk 2" drain	PVC No-Calk 2" drain	Chrome	\$62	
DRAINPVC-25	PVC No-Calk 2" drain	PVC No-Calk 2" drain	Brushed Nickel	\$81	
DRAINPVC-33	PVC No-Calk 2" drain	PVC No-Calk 2" drain	Matte Black	\$90	
DRAINPVC-12	PVC No-Calk 2" drain	PVC No-Calk 2" drain	Brushed Gold	\$218	

*Please check local codes to ensure appropriate drain specifications
For AU (Aurora) bases, please see specialty section in the bases booklet



MERCURY In-line

Frameless sliding doors

10
year limited
warranty

2 sliding door panels for right or left hand entry

Anti-jump safety roller system

Vertical handles

5/16" (8mm) clear tempered glass

Shower door height: 79" or 86"*

Chrome, Brushed Nickel & Matte Black finishes

*Certain dimensions only. See page 6 for more information.

 **FLEURCO™ SEKUR⁺ WITH EZ Clean ***

SAFETY PROTECTION

*5 year limited warranty

 **Microtek®**
FLEURCO

Glass surface protection

CORDOBA PLUS In-line

Semi-frameless sliding doors

1/4" (6 mm) Tempered clear glass • 75" Height 3/8" (10 mm) Tempered clear glass • 75" Height

BYPASS 48

44" to 48" W x 75" H • Approx. entry: 20" to 24"

MODEL	FINISH	PRICE
1/4" (6 mm) tempered glass		
CKS148-11-40	Chrome	\$1,334
CKS148-25-40	Brushed Nickel	\$1,388
CKS148-33-40	Matte Black	\$1,482
3/8" (10 mm) tempered glass		
CLS148-11-40	Chrome	\$1,688
CLS148-25-40	Brushed Nickel	\$1,742
CLS148-33-40	Matte Black	\$1,828
BASE	SIZE	PRICE
ADQ3248-18	48" x 32" x 2 3/4"	\$1,166
ADQ3448-18	48" x 34" x 2 3/4"	\$1,188
ABE3648-18-11 or 25-B	48" x 36" x 3"	\$2,214
ADQ3648-18	48" x 36" x 2 3/4"	\$925
ATAS2-3648- ₋	48" x 36" x 1 3/8"	\$1,348
AU_3648-33	48" x 36" x 2 3/4"	\$1,459
AULV3648-18	48" x 36" x 1 1/2"*	\$1,328
ABF4836-18-3-B	48" x 36" x 2 3/4"	\$968
ADT4836-18-3	48" x 36" x 3"	\$793
ALT4836-18-3	48" x 36" x 2 3/4"	\$793
AZM4836-18-11 or 25-B	48" x 36" x 1 3/8"*	\$1,472
ADT4842-18-3	48" x 42" x 3"	\$1,261

*Unfinished height of threshold

For more information on bases, see bases booklet or www.fleurco.com

BYPASS 72

68" to 72" W x 75" H • Approx. entry: 30" to 34"

MODEL	FINISH	PRICE
3/8" (10 mm) tempered glass		
CLS172-11-40	Chrome	\$2,285
CLS172-25-40	Brushed Nickel	\$2,349
BASE	SIZE	PRICE
ADQ3672-18	72" x 36" x 2 3/4"	\$1,569

For more information on bases, see bases booklet or www.fleurco.com

BYPASS 60

56" to 60" W x 75" H • Approx. entry: 24" to 28"

MODEL	FINISH	PRICE
1/4" (6 mm) tempered glass		
CKS160-11-40	Chrome	\$1,404
CKS160-25-40	Brushed Nickel	\$1,456
CKS160-33-40	Matte Black	\$1,551
3/8" (10 mm) tempered glass		
CLS160-11-40	Chrome	\$1,854
CLS160-25-40	Brushed Nickel	\$1,917
CLS160-33-40	Matte Black	\$2,015
BASE	SIZE	PRICE
ADQ3060-18	60" x 30" x 2 3/4"	\$987
ABE3260-18-11 or 25-B	60" x 32" x 3"	\$2,264
ADQ3260-18	60" x 32" x 2 3/4"	\$1,014
ATAS2-3260- ₋	60" x 32" x 1 1/2"	\$1,493
AU_3260-33	60" x 32" x 2 3/4"	\$1,562
AULV3260-18	60" x 32" x 1 1/2"*	\$1,479
ABF6032-18-L3 or R3-B	60" x 32" x 2 3/4"	\$1,041
ADT6032-18-L3 or R3	60" x 32" x 3"	\$871
ALT6032-18-L3 or R3	60" x 32" x 2 3/4"	\$871
AZM6032-18-11 or 25-B	60" x 32" x 1 3/8"*	\$1,586
ADQ3460-18	60" x 34" x 2 3/4"	\$1,306
ABE3660-18-11 or 25-B	60" x 36" x 3"	\$2,305
ADQ3660-18	60" x 36" x 2 3/4"	\$1,041
ATAS2-3660- ₋	60" x 36" x 1 3/8"	\$1,659
AU_3660-33	60" x 36" x 2 3/4"	\$1,756
AULV3660-18	60" x 36" x 1 1/2"*	\$1,648
ABF6036-18-3-B	60" x 36" x 2 3/4"	\$1,065
ADT6036-18-3	60" x 36" x 3"	\$896
ALT6036-18-3	60" x 36" x 2 3/4"	\$896
AZM6036-18-11 or 25-B	60" x 36" x 1 3/8"*	\$1,638
ADQ4260-18	60" x 42" x 2 3/4"	\$1,523
ADQ4860-18	60" x 48" x 2 3/4"	\$1,630

*Unfinished height of threshold

For more information on bases, see bases booklet or www.fleurco.com



CORDOBA PLUS In-line

Semi-frameless sliding doors

10
year limited
warranty

- 2 sliding door panels for right or left hand entry
- Header features built in anti-jump system
- Anti-rattle tracking system
- 1/4" (6mm)* and 3/8" (10mm) clear tempered glass
- Shower door height: 75"
- Chrome, Brushed Nickel & Matte Black finishes

 **FLEURCO™SEKUR⁺**
SAFETY PROTECTION*
*5 year limited warranty

Semi-frameless sliding doors

1/4" (6 mm) Tempered clear glass • 70 1/4" Height

BYPASS 46

42" to 46" W x 70 1/4" H • Approx. entry: 19" to 23"

MODEL	FINISH	PRICE
CSS146-11-40	Chrome	\$1,285
CSS146-25-40	Brushed Nickel	\$1,333

BYPASS 48

44" to 48" W x 70 1/4" H • Approx. entry: 20" to 24"

MODEL	FINISH	PRICE
CSS148-11-40	Chrome	\$1,296
CSS148-25-40	Brushed Nickel	\$1,349
BASE	SIZE	PRICE
ADQ3248-18	48" x 32" x 2 3/4"	\$1,166
ADQ3448-18	48" x 34" x 2 3/4"	\$1,188
ABE3648-18-11 or 25-B	48" x 36" x 3"	\$2,214
ADQ3648-18	48" x 36" x 2 3/4"	\$925
ATAS2-3648- _	48" x 36" x 1 3/8"	\$1,348
AU _ 3648-33	48" x 36" x 2 3/4"	\$1,459
AULV3648-18	48" x 36" x 1 1/2"*	\$1,328
ABF4836-18-3-B	48" x 36" x 2 3/4"	\$968
ADT4836-18-3	48" x 36" x 3"	\$793
ALT4836-18-3	48" x 36" x 2 3/4"	\$793
AZM4836-18-11 or 25-B	48" x 36" x 1 3/8"*	\$1,472
ADT4842-18-3	48" x 42" x 3"	\$1,261

*Unfinished height of threshold

For more information on bases, see bases booklet or www.fleurco.com

BYPASS 56

52" to 56" W x 70 1/4" H • Approx. entry: 22" to 26"

MODEL	FINISH	PRICE
CSS156-11-40	Chrome	\$1,341
CSS156-25-40	Brushed Nickel	\$1,387
BASE	SIZE	PRICE
ADT5436-18-3	54" x 36" x 3"	\$1,179

For more information on bases, see bases booklet or www.fleurco.com

BYPASS 60


56" to 60" W x 70 1/4" H • Approx. entry: 24" to 28"

MODEL	FINISH	PRICE
CSS160-11-40	Chrome	\$1,363
CSS160-25-40	Brushed Nickel	\$1,413
BASE	SIZE	PRICE
ADQ3060-18	60" x 30" x 2 3/4"	\$987
ABE3260-18-11 or 25-B	60" x 32" x 3"	\$2,264
ADQ3260-18	60" x 32" x 2 3/4"	\$1,014
ATAS2-3260- _	60" x 32" x 1 1/2"	\$1,493
AU _ 3260-33	60" x 32" x 2 3/4"	\$1,562
AULV3260-18	60" x 32" x 1 1/2"*	\$1,479
ABF6032-18-L3 or R3-B	60" x 32" x 2 3/4"	\$1,041
ADT6032-18-L3 or R3	60" x 32" x 3"	\$871
ALT6032-18-L3 or R3	60" x 32" x 2 3/4"	\$871
AZM6032-18-11 or 25-B	60" x 32" x 1 3/8"*	\$1,586
ADQ3460-18	60" x 34" x 2 3/4"	\$1,306
ABE3660-18-11 or 25-B	60" x 36" x 3"	\$2,305
ADQ3660-18	60" x 36" x 2 3/4"	\$1,041
ATAS2-3660- _	60" x 36" x 1 3/8"	\$1,659
AU _ 3660-33	60" x 36" x 2 3/4"	\$1,756
AULV3660-18	60" x 36" x 1 1/2"*	\$1,648
ABF6036-18-3-B	60" x 36" x 2 3/4"	\$1,065
ADT6036-18-3	60" x 36" x 3"	\$896
ALT6036-18-3	60" x 36" x 2 3/4"	\$896
AZM6036-18-11 or 25-B	60" x 36" x 1 3/8"*	\$1,638
ADQ4260-18	60" x 42" x 2 3/4"	\$1,523
ADQ4860-18	60" x 48" x 2 3/4"	\$1,630

*Unfinished height of threshold

For more information on bases, see bases booklet or www.fleurco.com

ALL DRAINS SOLD SEPARATELY

DRAIN	Model	Material	Finish	Price
	DRAINABS-11	ABS No-Calk 2" drain	Chrome	\$62
	DRAINABS-25	ABS No-Calk 2" drain	Brushed Nickel	\$81
	DRAINABS-33	ABS No-Calk 2" drain	Matte Black	\$116
	DRAINABS-12	ABS No-Calk 2" drain	Brushed Gold	\$218
	DRAINPVC-11	PVC No-Calk 2" drain	Chrome	\$62
	DRAINPVC-25	PVC No-Calk 2" drain	Brushed Nickel	\$81
	DRAINPVC-33	PVC No-Calk 2" drain	Matte Black	\$90
	DRAINPVC-12	PVC No-Calk 2" drain	Brushed Gold	\$218

*Please check local codes to ensure appropriate drain specifications

For AU (Aurora) bases, please see specialty section in the bases booklet



CORDOBA In-line

Semi-frameless sliding doors

10
year limited
warranty

2 sliding door panels for right or left hand entry

Header features built in anti-jump system

Deluxe quality roller system bracket

Superior bottom guiding system

Easy to install

1/4" (6mm) clear tempered glass

Shower door height: 70 1/4"

Chrome & Brushed Nickel finishes

 **FLEURCO™SEKUR⁺**
SAFETY PROTECTION*
*5 year limited warranty

WHAT IS
FLEURCO™SEKUR⁺
SAFETY PROTECTION

FleurcoSEKUR+ Safety Protection is a transparent film bonded directly onto the glass panel by means of an adhesive to improve safety by retaining the pieces together in the event of glass breakage.

What are the benefits?

FleurcoSEKUR+ Safety Protection film provides an added layer of security for you and your family. In the event of an accident, FleurcoSEKUR+ Safety Protection prevents the tempered glass door from shattering into thousands of pieces which could cause damage.

How is it applied?

Application is performed by a specialized machine. The film is always installed on the opposite face of our Microtek® glass protection.

How durable is it?

FleurcoSEKUR+ Safety Protection is very durable. It has been tested for long-term usage against chemicals and normal wear and meets the required standards.

How do I clean glass treated with it?

No abrasive materials should be used in cleaning a FleurcoSEKUR+ Safety Protection treated shower door. Cleaning with a damp cloth using a mixture of vinegar/mild soap with water is recommended.

FLEURCO™SEKUR⁺ WITH EZ Clean
SAFETY PROTECTION

EZ Clean is an innovative enhancement to the FleurcoSEKUR+ Safety Protection film. It applies a water-repellent coating directly on the safety film, making water bead and run off more easily and improving ease of maintenance. This allows the safety film side of the glass to face the interior of the shower, making previously non-reversible doors now fully reversible.

What are the benefits?

Doors with EZ clean no longer require a dedicated left or right side. The doors are now fully reversible which means door placement can be decided at the time of installation rather than choosing before ordering. This provides greater flexibility for customers & installers alike.

How do I clean glass treated with it?

We recommend the same cleaning method as any door with FleurcoSEKUR+ Safety Protection and Microtek®. No abrasive materials should be used.



Shattered glass maintains structure with
FLEURCOSEKUR⁺ SAFETY PROTECTION film

5
year limited
warranty

BYPASS 2 SIDED SHOWERS

NEW!
REVERSIBLE



GEMINI PLUS Clear Glass 2-3

Frameless sliding doors with return panel
Sizes: 48, 54, 60

M SEKUR⁺ + EZ Clean  C



GEMINI PLUS Mist Glass 4-5

Frameless sliding doors with return panel
Sizes: 48, 54, 60

M SEKUR⁺  Mi

NEW!
REVERSIBLE



GEMINI 6-7

Frameless sliding doors with return panel
Sizes: 48, 54, 60

M SEKUR⁺ + EZ Clean  C

NEW!
REVERSIBLE



MERCURY 8-9

Frameless sliding doors with return panel
Sizes: 48, 60, 72

M SEKUR⁺ + EZ Clean  C

M Glass surface protection







See website for more information

SEKUR⁺ Safety Protection



See information page at the end of the section

Available finishes

-  Chrome
-  Brushed Nickel
-  Matte Black
-  Brushed Gold

Glass type

-  Clear
-  Mist

FLEURCO INC. CANADA Tel: 1.514.326.2222 | Toll Free: 1.800.993.0033 | Fax: 1.514.326.2008 | www.fleurco.com

FLEURCO INC. USA EAST Tel: 856.778.0110 | Toll Free: 1.888.568.2121 | Fax: 1.888.854.1020

FLEURCO INC. USA SOUTHEAST Tel: 239.401.6612 | Toll Free: 1.888.877.6008

FLEURCO INC. USA MIDWEST Tel: 630.607.0847 | Toll Free: 1.888.263.3651 | Fax: 331.225.2549

FLEURCO INC. USA WEST Tel: 562.368.8800 | Toll Free: 1.877.413.2880 | Fax: 562.368.8812



Glass surface protection



3/8" (10 mm) Tempered clear glass • 79" Height

RP You must indicate your return panel size 32", 36" or 42" in the "RP" field

BYPASS 48 WITH RETURN PANEL

45" to 48" W x 79" H • Approx. entry: 20 1/4" to 23 1/4"

MODEL	FINISH	GLASS	PRICE			BASE	SIZE	PRICE
			32"	36"	42"			
NPUZ48 ^{RP} -11-40	Chrome	Clear	\$2,490	\$2,544	\$2,616	ADQ3248-18	48" x 32" x 2 3/4"	\$1,166
NPUZ48 ^{RP} -25-40	Brushed Nickel	Clear	\$2,576	\$2,633	\$2,695	ABE3648-18-11 or 25-B	48" x 36" x 3"	\$2,214
NPUZ48 ^{RP} -33-40	Matte Black	Clear	\$2,641	\$2,699	\$2,767	ADQ3648-18	48" x 36" x 2 3/4"	\$925
NPUZ48 ^{RP} -12-40	Brushed Gold	Clear	\$3,107	\$3,235	\$3,308	ATAS2-3648-	48" x 36" x 1 3/8"	\$1,348
						AU_3648-33	48" x 36" x 2 3/4"	\$1,459
						AULV3648-18	48" x 36" x 1 1/2"*	\$1,328
						ADT4836-18-L2 or R2	48" x 36" x 3"	\$1,100
						ADTC4836-18-L2 or R2	48" x 36" x 3"	\$1,100
						ALT4836-18-L2 or R2	48" x 36" x 2 3/4"	\$793
						ADT4842-18-L2 or R2	48" x 42" x 3"	\$1,261

BYPASS 54 WITH RETURN PANEL

51" to 54" W x 79" H • Approx. entry: 23 1/4" to 26 1/4"

MODEL	FINISH	GLASS	PRICE			BASE	SIZE	PRICE
			32"	36"	42"			
NPUZ54 ^{RP} -11-40	Chrome	Clear	\$2,575	\$2,629	\$2,701	ADT5436-18-L2 or R2	54" x 36" x 3"	\$1,179
NPUZ54 ^{RP} -25-40	Brushed Nickel	Clear	\$2,639	\$2,696	\$2,758			
NPUZ54 ^{RP} -33-40	Matte Black	Clear	\$2,696	\$2,754	\$2,822			
NPUZ54 ^{RP} -12-40	Brushed Gold	Clear	\$3,178	\$3,306	\$3,379			

*Unfinished height of threshold

For more information on bases, see bases booklet or www.fleurco.com

For more information on bases, see bases booklet or www.fleurco.com

BYPASS 60 WITH RETURN PANEL

57" to 60" W x 79" H • Approx. entry: 26 1/4" to 29 1/4"

MODEL	FINISH	GLASS	PRICE			BASE	SIZE	PRICE
			32"	36"	42"			
NPUZ60 ^{RP} -11-40	Chrome	Clear	\$2,681	\$2,735	\$2,807	ABE3260-18-11 or 25-B	60" x 32" x 3"	\$2,264
NPUZ60 ^{RP} -25-40	Brushed Nickel	Clear	\$2,743	\$2,800	\$2,862	ADQ3260-18	60" x 32" x 2 3/4"	\$1,014
NPUZ60 ^{RP} -33-40	Matte Black	Clear	\$2,809	\$2,867	\$2,935	ATAS2-3260-	60" x 32" x 1 1/2"	\$1,493
NPUZ60 ^{RP} -12-40	Brushed Gold	Clear	\$3,216	\$3,344	\$3,417	AU_3260-33	60" x 32" x 2 3/4"	\$1,562
						AULV3260-18	60" x 32" x 1 1/2"*	\$1,479
						ABE3660-18-11 or 25-B	60" x 36" x 3"	\$2,305
						ADQ3660-18	60" x 36" x 2 3/4"	\$1,041
						ATAS2-3660-	60" x 36" x 1 3/8"	\$1,659
						AU_3660-33	60" x 36" x 2 3/4"	\$1,756
						AULV3660-18	60" x 36" x 1 1/2"*	\$1,648
						ADT6036-18-L2 or R2	60" x 36" x 3"	\$1,261
						ADTC6036-18-L2 or R2	60" x 36" x 3"	\$1,261
						ALT6036-18-L2 or R2	60" x 36" x 2 3/4"	\$1,261
						ADQ4260-18	60" x 42" x 2 3/4"	\$1,523

*Unfinished height of threshold

For more information on bases, see bases booklet or www.fleurco.com

RETURN PANELS
32" RP = 29 3/8" to 29 7/8"
36" RP = 33 3/8" to 33 7/8"
42" RP = 39 3/8" to 39 7/8"

See end of section for spacer information



NPUZ6036-33-40

GEMINI PLUS 2 Sided

Frameless sliding doors with return panel

10
year limited
warranty

- 2 sliding door panels for right or left hand entry
- Anti-jump safety roller system
- 3/8" (10mm) clear tempered glass
- Shower door height: 79"
- Chrome, Brushed Nickel, Matte Black & Brushed Gold finishes

 **FLEURCO™ SEKUR⁺ WITH EZ Clean^{*}**
SAFETY PROTECTION
*5 year limited warranty

 **Microtek[®]**
FLEURCO
Glass surface protection

3/8" (10 mm) Tempered mist glass • 79" Height

BYPASS 48 WITH 36" RETURN PANEL

45" to 48" W x 79" H • Approx. entry: 20 1/4" to 23 1/4"

MODEL	FINISH	GLASS	PRICE
NPUS4836 @-11-80	Chrome	Mist	\$2,747
NPUS4836 __-25-80	Brushed Nickel	Mist	\$2,838
NPUS4836 __-33-80	Matte Black	Mist	\$2,902
NPUS4836 __-12-80	Brushed Gold	Mist	\$3,439

BASE	SIZE	PRICE
ABE3648-18-11 or 25-B	48" x 36" x 3"	\$2,214
ADQ3648-18	48" x 36" x 2 3/4"	\$925
ATAS2-3648-__	48" x 36" x 1 3/8"	\$1,348
AU_3648-33	48" x 36" x 2 3/4"	\$1,459
AULV3648-18	48" x 36" x 1 1/2"*	\$1,328
ADT4836-18-L2 or R2	48" x 36" x 3"	\$1,100
ADTC4836-18-L2 or R2	48" x 36" x 3"	\$1,100
ALT4836-18-L2 or R2	48" x 36" x 2 3/4"	\$793

*Unfinished height of threshold

For more information on bases, see bases booklet or www.fleurco.com

BYPASS 54 WITH 36" RETURN PANEL

51" to 54" W x 79" H • Approx. entry: 23 1/4" to 26 1/4"

MODEL	FINISH	GLASS	PRICE
NPUS5436 @-11-80	Chrome	Mist	\$2,834
NPUS5436 __-25-80	Brushed Nickel	Mist	\$2,901
NPUS5436 __-33-80	Matte Black	Mist	\$2,959
NPUS5436 __-12-80	Brushed Gold	Mist	\$3,513

BASE	SIZE	PRICE
ADT5436-18-L2 or R2	54" x 36" x 3"	\$1,179

For more information on bases, see bases booklet or www.fleurco.com

BYPASS 60 WITH 36" RETURN PANEL

57" to 60" W x 79" H • Approx. entry: 26 1/4" to 29 1/4"

MODEL	FINISH	GLASS	PRICE
NPUS6036 @-11-80	Chrome	Mist	\$2,940
NPUS6036 __-25-80	Brushed Nickel	Mist	\$3,004
NPUS6036 __-33-80	Matte Black	Mist	\$3,072
NPUS6036 __-12-80	Brushed Gold	Mist	\$3,550

BASE	SIZE	PRICE
ABE3660-18-11 or 25-B	60" x 36" x 3"	\$2,305
ADQ3660-18	60" x 36" x 2 3/4"	\$1,041
ATAS2-3660-__	60" x 36" x 1 3/8"	\$1,659
AU_3660-33	60" x 36" x 2 3/4"	\$1,756
AULV3660-18	60" x 36" x 1 1/2"*	\$1,648
ADT6036-18-L2 or R2	60" x 36" x 3"	\$1,261
ADTC6036-18-L2 or R2	60" x 36" x 3"	\$1,261
ALT6036-18-L2 or R2	60" x 36" x 2 3/4"	\$1,261

*Unfinished height of threshold

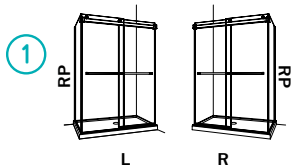
For more information on bases, see bases booklet or www.fleurco.com

RETURN PANELS

36" RP = 33 3/8" to 33 7/8"

DOOR OPTIONS

Insert code "L" or "R" to indicate return panel side





NPUS6036R-25-80

GEMINI PLUS 2 Sided

Frameless sliding doors with return panel

10
year limited
warranty

2 sliding door panels for right or left hand entry

Anti-jump safety roller system

3/8" (10mm) mist tempered glass

Shower door height: 79"

Chrome, Brushed Nickel, Matte Black & Brushed Gold finishes

 **FLEURCO™SEKUR⁺**
SAFETY PROTECTION*
*5 year limited warranty

 **Microtek[®]**
FLEURCO
Glass surface protection



Glass surface protection



1/4" (6 mm) Tempered clear glass • 75" Height

RP You must indicate your return panel size **32"** or **36"** in the "RP" field

BYPASS 48 WITH RETURN PANEL

45" to 48" W x 75" H · Approx. entry: 20 1/4" to 23 1/4"

MODEL	FINISH	PRICE		BASE	SIZE	PRICE
		32"	36"			
				ADQ3248-18	48" x 32" x 2 3/4"	\$1,166
NGUZ48 ^{RP} -11-40	Chrome	\$2,151	\$2,192	ABE3648-18-11 or 25-B	48" x 36" x 3"	\$2,214
NGUZ48__-25-40	Brushed Nickel	\$2,206	\$2,252	ADQ3648-18	48" x 36" x 2 3/4"	\$925
NGUZ48__-33-40	Matte Black	\$2,269	\$2,307	ATAS2-3648-__	48" x 36" x 1 3/8"	\$1,348
NGUZ48__-12-40	Brushed Gold	\$2,689	\$2,745	AU_3648-33	48" x 36" x 2 3/4"	\$1,459
				AULV3648-18	48" x 36" x 1 1/2"*	\$1,328
				ADT4836-18-L2 or R2	48" x 36" x 3"	\$1,100
				ADTC4836-18-L2 or R2	48" x 36" x 3"	\$1,100
				ALT4836-18-L2 or R2	48" x 36" x 2 3/4"	\$793

*Unfinished height of threshold

For more information on bases, see bases booklet or www.fleurco.com

BYPASS 54 WITH RETURN PANEL

51" to 54" W x 75" H · Approx. entry: 23 1/4" to 26 1/4"

MODEL	FINISH	PRICE		BASE	SIZE	PRICE
		32"	36"			
				ADT5436-18-L2 or R2	54" x 36" x 3"	\$1,179
NGUZ54 ^{RP} -11-40	Chrome	\$2,187	\$2,228	For more information on bases, see bases booklet or www.fleurco.com		
NGUZ54__-25-40	Brushed Nickel	\$2,248	\$2,294			
NGUZ48__-33-40	Matte Black	\$2,315	\$2,353			
NGUZ48__-12-40	Brushed Gold	\$2,731	\$2,787			

BYPASS 60 WITH RETURN PANEL

57" to 60" W x 75" H · Approx. entry: 26 1/4" to 29 1/4"

MODEL	FINISH	PRICE		BASE	SIZE	PRICE
		32"	36"			
				ABE3260-18-11 or 25-B	60" x 32" x 3"	\$2,264
NGUZ60 ^{RP} -11-40	Chrome	\$2,250	\$2,291	ADQ3260-18	60" x 32" x 2 3/4"	\$1,014
NGUZ60__-25-40	Brushed Nickel	\$2,311	\$2,357	ATAS2-3260-__	60" x 32" x 1 1/2"	\$1,493
NGUZ60__-33-40	Matte Black	\$2,380	\$2,418	AU_3260-33	60" x 32" x 2 3/4"	\$1,562
NGUZ60__-12-40	Brushed Gold	\$2,851	\$2,907	AULV3260-18	60" x 32" x 1 1/2"*	\$1,479
				ABE3660-18-11 or 25-B	60" x 36" x 3"	\$2,305
				ADQ3660-18	60" x 36" x 2 3/4"	\$1,041
				ATAS2-3660-__	60" x 36" x 1 3/8"	\$1,659
				AU_3660-33	60" x 36" x 2 3/4"	\$1,756
				AULV3660-18	60" x 36" x 1 1/2"*	\$1,648
				ADT6036-18-L2 or R2	60" x 36" x 3"	\$1,261
				ADTC6036-18-L2 or R2	60" x 36" x 3"	\$1,261
				ALT6036-18-L2 or R2	60" x 36" x 2 3/4"	\$1,261

*Unfinished height of threshold

For more information on bases, see bases booklet or www.fleurco.com

RETURN PANELS
32" RP = 29 3/8" to 29 7/8"
36" RP = 33 3/8" to 33 7/8"



NGUZ6036-12-40

GEMINI² Sided

Frameless sliding doors with return panel

10
year limited
warranty

2 sliding door panels for right or left hand entry

Anti-jump safety roller system

1/4" (6mm) clear tempered glass

Shower door height: 75"

Chrome, Brushed Nickel, Matte Black & Brushed Gold finishes

 **FLEURCO™ SEKUR⁺ WITH EZ Clean^{*}**
SAFETY PROTECTION

*5 year limited warranty

 **Microtek[®]**
FLEURCO
Glass surface protection

5/16" (8 mm) Tempered clear glass • 79" or 86" Height

RP You must indicate your return panel size **32"**, **36"** or **42"** in the "RP" field**

**32" & 42" return panels are not available with 86" height.

BYPASS 48 WITH RETURN PANEL

45" to 48" W · Approx. entry: 20 ¼" to 23 ¼"

MODEL	FINISH	HEIGHT	PRICE			BASE	SIZE	PRICE
			32"	36"	42"			
NMZ2-48 ^{RP} -11-40-79	Chrome	79"	\$2,348	\$2,399	\$2,444	ADQ3248-18	48" x 32" x 2 ¾"	\$1,166
NMZ2-48__-25-40-79	Brushed Nickel	79"	\$2,416	\$2,467	\$2,512	ABE3648-18-11 or 25-B	48" x 36" x 3"	\$2,214
NMZ2-48__-33-40-79	Matte Black	79"	\$2,482	\$2,533	\$2,577	ADQ3648-18	48" x 36" x 2 ¾"	\$925
NMZ2-4836-11-40-86	Chrome	86"	N/A	\$2,482	N/A	ATAS2-3648-__	48" x 36" x 1 ⅜"	\$1,348
NMZ2-4836-25-40-86	Brushed Nickel	86"	N/A	\$2,547	N/A	AU_3648-33	48" x 36" x 2 ¾"	\$1,459
NMZ2-4836-33-40-86	Matte Black	86"	N/A	\$2,612	N/A	AULV3648-18	48" x 36" x 1 ½"	\$1,328
						ADT4836-18-L2 or R2	48" x 36" x 3"	\$1,100
						ADTC4836-18-L2 or R2	48" x 36" x 3"	\$1,100
						ALT4836-18-L2 or R2	48" x 36" x 2 ¾"	\$793
						ADT4842-18-L2 or R2	48" x 42" x 3"	\$1,261

For suggested shower bases visit www.fleurco.com and search model number.

*Unfinished height of threshold

For more information on bases, see bases booklet or www.fleurco.com

BYPASS 60 WITH RETURN PANEL

57" to 60" W · Approx. entry: 26 ¼" to 29 ¼"

MODEL	FINISH	HEIGHT	PRICE			BASE	SIZE	PRICE
			32"	36"	42"			
NMZ2-60 ^{RP} -11-40-79	Chrome	79"	\$2,547	\$2,598	\$2,643	ABE3260-18-11 or 25-B	60" x 32" x 3"	\$2,264
NMZ2-60__-25-40-79	Brushed Nickel	79"	\$2,615	\$2,666	\$2,711	ADQ3260-18	60" x 32" x 2 ¾"	\$1,014
NMZ2-60__-33-40-79	Matte Black	79"	\$2,681	\$2,732	\$2,776	ATAS2-3260-__	60" x 32" x 1 ½"	\$1,493
NMZ2-6036-11-40-86	Chrome	86"	N/A	\$2,689	N/A	AU_3260-33	60" x 32" x 2 ¾"	\$1,562
NMZ2-6036-25-40-86	Brushed Nickel	86"	N/A	\$2,768	N/A	AULV3260-18	60" x 32" x 1 ½"	\$1,479
NMZ2-6036-33-40-86	Matte Black	86"	N/A	\$2,833	N/A	ABE3660-18-11 or 25-B	60" x 36" x 3"	\$2,305
						ADQ3660-18	60" x 36" x 2 ¾"	\$1,041
						ATAS2-3660-__	60" x 36" x 1 ⅜"	\$1,659
						AU_3660-33	60" x 36" x 2 ¾"	\$1,756
						AULV3660-18	60" x 36" x 1 ½"	\$1,648
						ADT6036-18-L2 or R2	60" x 36" x 3"	\$1,261
						ADTC6036-18-L2 or R2	60" x 36" x 3"	\$1,261
						ALT6036-18-L2 or R2	60" x 36" x 2 ¾"	\$1,261
						ADQ4260-18	60" x 42" x 2 ¾"	\$1,523

For suggested shower bases visit www.fleurco.com and search model number.

*Unfinished height of threshold

For more information on bases, see bases booklet or www.fleurco.com

BYPASS 72 WITH RETURN PANEL

69" to 72" W · Approx. entry: 32 ½" to 35 ½"

MODEL	FINISH	HEIGHT	PRICE			BASE	SIZE	PRICE
			32"	36"	42"			
NMZ2-72 ^{RP} -11-40-79	Chrome	79"	\$2,690	\$2,741	\$2,786	ADQ3672-18	72" x 36" x 2 ¾"	\$1,569
NMZ2-72__-25-40-79	Brushed Nickel	79"	\$2,758	\$2,809	\$2,854			
NMZ2-72__-33-40-79	Matte Black	79"	\$2,826	\$2,877	\$2,921			

For more information on bases, see bases booklet or www.fleurco.com

For suggested shower bases visit www.fleurco.com and search model number.

RETURN PANELS**
32" RP = 29 ⅜" to 29 ⅞"
36" RP = 33 ⅜" to 33 ⅞"
42" RP = 39 ⅜" to 39 ⅞"

**32" & 42" return panels are not available with 86" height.



NM22-6036-11-40-79

MERCURY 2 Sided
Frameless sliding doors with return panel

10
year limited
warranty

- 2 sliding door panels for right or left hand entry
- Anti-jump safety roller system
- Vertical handles
- 5/16" (8mm) clear tempered glass
- Shower door height: 79" or 86"*
- Chrome, Brushed Nickel & Matte Black finishes
- *Certain dimensions only. See page 8 for more information.

FLEURCO™ **SEKUR**⁺ WITH **EZ Clean** *
SAFETY PROTECTION
*5 year limited warranty

Microtek®
FLEURCO
Glass surface protection

WHAT IS
FLEURCO™SEKUR⁺
SAFETY PROTECTION

FleurcoSEKUR+ Safety Protection is a transparent film bonded directly onto the glass panel by means of an adhesive to improve safety by retaining the pieces together in the event of glass breakage.

What are the benefits?

FleurcoSEKUR+ Safety Protection film provides an added layer of security for you and your family. In the event of an accident, FleurcoSEKUR+ Safety Protection prevents the tempered glass door from shattering into thousands of pieces which could cause damage.

How is it applied?

Application is performed by a specialized machine. The film is always installed on the opposite face of our Microtek® glass protection.

How durable is it?

FleurcoSEKUR+ Safety Protection is very durable. It has been tested for long-term usage against chemicals and normal wear and meets the required standards.

How do I clean glass treated with it?

No abrasive materials should be used in cleaning a FleurcoSEKUR+ Safety Protection treated shower door. Cleaning with a damp cloth using a mixture of vinegar/mild soap with water is recommended.

FLEURCO™SEKUR⁺ WITH EZ Clean
SAFETY PROTECTION

EZ Clean is an innovative enhancement to the FleurcoSEKUR+ Safety Protection film. It applies a water-repellent coating directly on the safety film, making water bead and run off more easily and improving ease of maintenance. This allows the safety film side of the glass to face the interior of the shower, making previously non-reversible doors now fully reversible.

What are the benefits?

Doors with EZ clean no longer require a dedicated left or right side. The doors are now fully reversible which means door placement can be decided at the time of installation rather than choosing before ordering. This provides greater flexibility for customers & installers alike.

How do I clean glass treated with it?

We recommend the same cleaning method as any door with FleurcoSEKUR+ Safety Protection and Microtek®. No abrasive materials should be used.



Shattered glass maintains structure with
FLEURCOSEKUR⁺ SAFETY PROTECTION film

5
year limited
warranty

SPACER 75" H

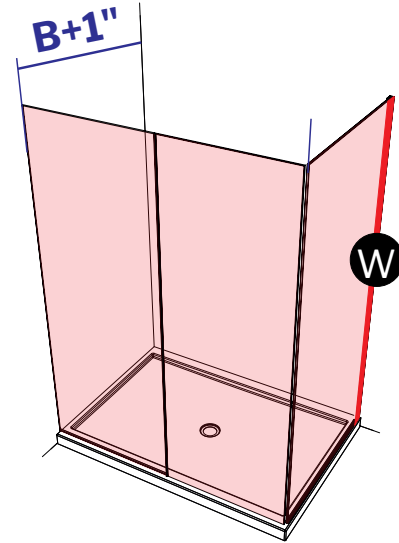
Compatible with Gemini (NGUZ) models

MODEL	FINISH	PRICE
PLAT-SPACER-11-75	Chrome	\$57
PLAT-SPACER-25-75	Brushed Nickel	\$59
PLAT-SPACER-33-75	Matte Black	\$59

SPACER 79" H

Compatible with Gemini Plus (NPUZ & NPUS) & Mercury (NMZ2) models

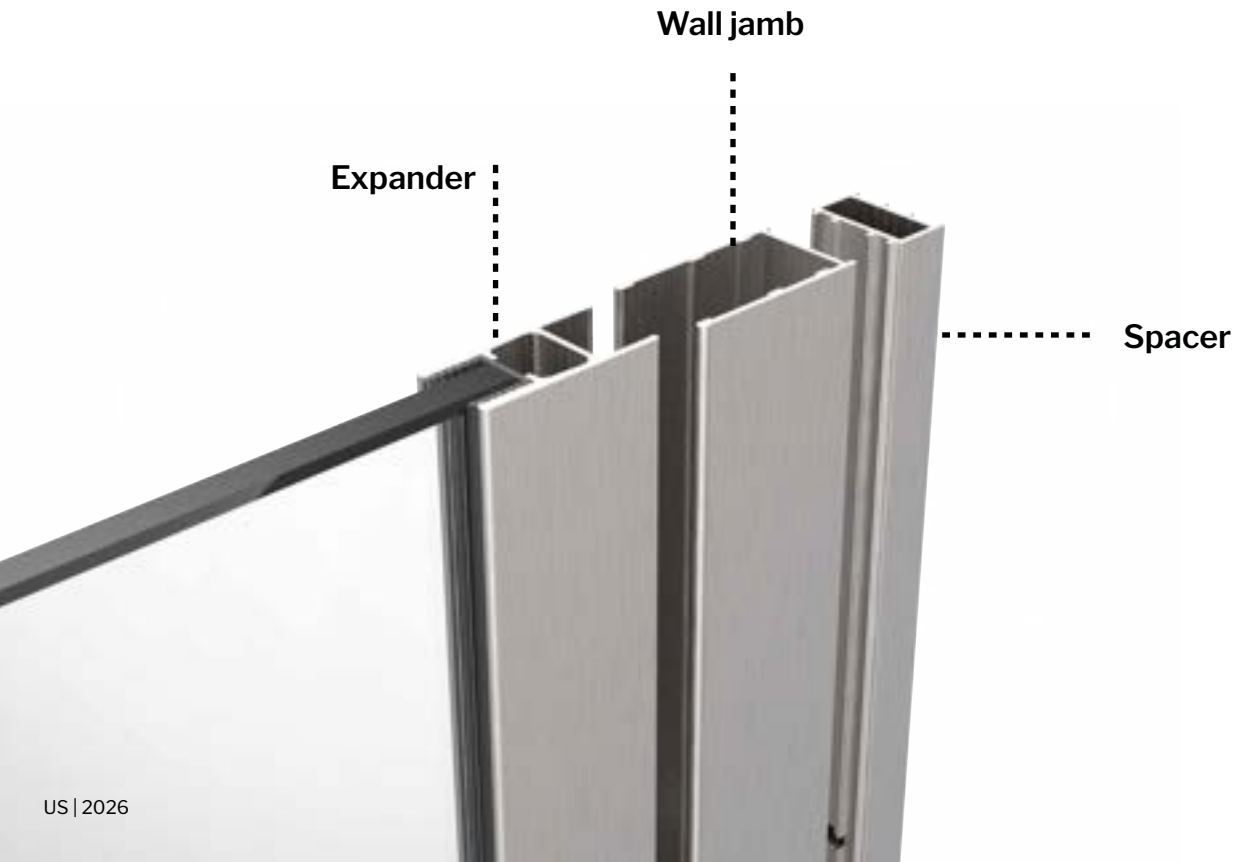
MODEL	FINISH	PRICE
PLAT-SPACER-11-79	Chrome	\$60
PLAT-SPACER-25-79	Brushed Nickel	\$67
PLAT-SPACER-33-79	Matte Black	\$67



W WALL JAMB

B=Back wall to center of panel

Maximum recommended 2 spacers per return panel wall jamb. Each spacer adds 1/2" to the enclosure depth.





Fibo

by  FLEURCO™

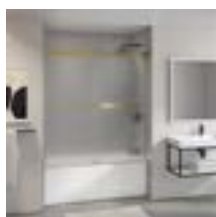
WALL SYSTEMS

**THE SMART WAY TO
TRANSFORM YOUR WALL**



Scan here to see full collection & pricing

BYPASS TUB ENCLOSURES



GEMINI PLUS..... 2-3

Frameless sliding doors

Sizes: 60,65

M SEKUR⁺ ● ● ● ● C Mi

NEW!
REVERSIBLE



GEMINI PLUS 2 SIDED 4-5

Frameless sliding doors with return panel

Sizes: 6030, 6032, 6530, 6532

M SEKUR⁺ + EZ Clean ● ● ● ● C



GEMINI..... 6-7

Frameless sliding doors

Size: 60

M SEKUR⁺ ● ● ● ● C

NEW!
REVERSIBLE



MERCURY..... 8-9

Frameless sliding doors

Size: 60

M SEKUR⁺ + EZ Clean ● ● ● ● C



CORDOBA PLUS..... 10-11

Semi-frameless sliding doors

Size: 60

SEKUR⁺ ● ● ● ● C

M Glass surface protection



See website for more information

SEKUR⁺ Safety Protection



See information page at the end of the section

Available finishes

- Chrome
- Brushed Nickel
- Matte Black
- Brushed Gold

Glass type

- C Clear
- Mi Mist

FLEURCO INC. CANADA Tel: 1.514.326.2222 | Toll Free: 1.800.993.0033 | Fax: 1.514.326.2008 | www.fleurco.com

FLEURCO INC. USA EAST Tel: 856.778.0110 | Toll Free: 1.888.568.2121 | Fax: 1.888.854.1020

FLEURCO INC. USA SOUTHEAST Tel: 239.401.6612 | Toll Free: 1.888.877.6008

FLEURCO INC. USA MIDWEST Tel: 630.607.0847 | Toll Free: 1.888.263.3651 | Fax: 331.225.2549

FLEURCO INC. USA WEST Tel: 562.368.8800 | Toll Free: 1.877.413.2880 | Fax: 562.368.8812

GEMINI PLUS Tub Enclosure

Frameless sliding tub doors

3/8" (10 mm) Tempered glass • 66" Height

BYPASS TUB ENCLOSURE 60

57" to 60" W x 66" H · Approx. entry: 26 1/4" to 29 1/4"

MODEL	FINISH	GLASS	PRICE
NPST60-11-40	Chrome	Clear	\$1,720
NPST60-25-40	Brushed Nickel	Clear	\$1,756
NPST60-33-40	Matte Black	Clear	\$1,803
NPST60-12-40	Brushed Gold	Clear	\$2,150
NPST60-11-80	Chrome	Mist	\$1,855
NPST60-25-80	Brushed Nickel	Mist	\$1,892
NPST60-33-80	Matte Black	Mist	\$1,938
NPST60-12-80	Brushed Gold	Mist	\$2,287

BYPASS TUB ENCLOSURE 65

62" to 65" W x 66" H · Approx. entry: 28 1/2" to 31 1/2"

MODEL	FINISH	GLASS	PRICE
NPST65-11-40	Chrome	Clear	\$1,780
NPST65-25-40	Brushed Nickel	Clear	\$1,800
NPST65-33-40	Matte Black	Clear	\$1,822
NPST65-12-40	Brushed Gold	Clear	\$2,256



Glass surface protection





NPST60-12-80

GEMINI PLUS Tub Enclosure

Frameless sliding tub doors

10
year limited
warranty

2 sliding door panels for right or left hand entry

Anti-jump safety roller system

3/8" (10mm) clear or mist* tempered glass

Tub door height: 66"

Chrome, Brushed Nickel, Matte Black & Brushed Gold finishes

*Certain dimensions only. See page 2 for more information.

 **FLEURCO™SEKUR⁺**
SAFETY PROTECTION*
*5 year limited warranty

 **Microtek®**
FLEURCO
Glass surface protection

GEMINI PLUS 2 Sided Tub Enclosure

Frameless sliding tub doors with return panel

3/8" (10 mm) Clear tempered glass • 66" Height

NEW!
REVERSIBLE
LEFT & RIGHT



Glass surface protection

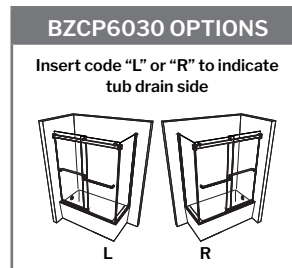


BYPASS TUB ENCLOSURE 60

WITH 30" RETURN PANEL

57" to 60" W x 66" H · Approx. entry: 26 1/4" to 29 1/4"

MODEL	FINISH	PRICE
NPUZT6030-11-40	Chrome	\$2,455
NPUZT6030-25-40	Brushed Nickel	\$2,512
NPUZT6030-33-40	Matte Black	\$2,579
NPUZT6030-12-40	Brushed Gold	\$3,013
BATHTUB	SIZE	PRICE
BZCP6030L or R-18	60" W x 30" D x 20" H	\$2,591



BYPASS TUB ENCLOSURE 60

WITH 32" RETURN PANEL

57" to 60" W x 66" H · Approx. entry: 26 1/4" to 29 1/4"

MODEL	FINISH	PRICE
NPUZT6032-11-40	Chrome	\$2,456
NPUZT6032-25-40	Brushed Nickel	\$2,512
NPUZT6032-33-40	Matte Black	\$2,581
NPUZT6032-12-40	Brushed Gold	\$3,013

BYPASS TUB ENCLOSURE 65

WITH 30" RETURN PANEL

62" to 65" W x 66" H · Approx. entry: 28 1/2" to 31 1/2"

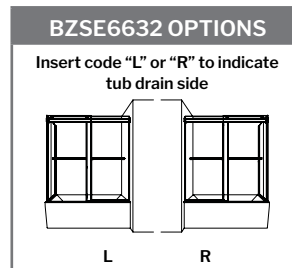
MODEL	FINISH	PRICE
NPUZT6530-11-40	Chrome	\$2,442
NPUZT6530-25-40	Brushed Nickel	\$2,482
NPUZT6530-33-40	Matte Black	\$2,522
NPUZT6530-12-40	Brushed Gold	\$3,033

BYPASS TUB ENCLOSURE 65

WITH 32" RETURN PANEL

62" to 65" W x 66" H · Approx. entry: 28 1/2" to 31 1/2"

MODEL	FINISH	PRICE
NPUZT6532-11-40	Chrome	\$2,516
NPUZT6532-25-40	Brushed Nickel	\$2,556
NPUZT6532-33-40	Matte Black	\$2,600
NPUZT6532-12-40	Brushed Gold	\$3,119
BATHTUB	SIZE	PRICE
BZSE6632L or R-18	66" W x 32" D x 20" H	\$3,016



RETURN PANELS

30" RP = 27 3/8" to 27 7/8"

32" RP = 29 3/8" to 29 7/8"

NPUZT6030-33-40
BZCP6030L-18



NPUZT6532-11-40
BZSE6632R-18

GEMINI PLUS 2 Sided Tub Enclosure

Frameless sliding tub doors with return panel

10
year limited
warranty

 **FLEURCO™ SEKUR⁺ WITH EZ Clean ***
SAFETY PROTECTION

*5 year limited warranty

2 sliding door panels for right or left hand entry

Anti-jump safety roller system

3/8" (10mm) clear tempered glass

Tub door height: 66"

Chrome, Brushed Nickel, Matte Black & Brushed Gold finishes

 **Microtek®**
FLEURCO
Glass surface protection

GEMINI Tub Enclosure

Frameless sliding tub doors

1/4" (6 mm) Tempered clear glass • 60" Height

BYPASS TUB ENCLOSURE 60

57" to 60" W x 60" H · Approx. entry: 26 1/4" to 29 1/4"

MODEL	FINISH	PRICE
NGST60-11-40	Chrome	\$1,392
NGST60-25-40	Brushed Nickel	\$1,430
NGST60-33-40	Matte Black	\$1,457
NGST60-12-40	Brushed Gold	\$1,715



Glass surface protection





GEMINI Tub Enclosure

Frameless sliding tub doors

10
year limited
warranty

2 sliding door panels for right or left hand entry

Anti-jump safety roller system

1/4" (6mm) clear tempered glass

Tub door height: 60"

Chrome, Brushed Nickel, Matte Black & Brushed Gold finishes

 **FLEURCO™SEKUR⁺**
SAFETY PROTECTION*
*5 year limited warranty

 **Microtek®**
FLEURCO
Glass surface protection

MERCURY Tub Enclosure
 Frameless sliding tub doors

**NEW!
 REVERSIBLE
 LEFT & RIGHT**

Microtek[®]
FLEURCO
 Glass surface protection

FLEURCO **SEKUR**⁺ WITH **EZ Clean**
SAFETY PROTECTION

5/16" (8 mm) Tempered clear glass • 66" Height

BYPASS TUB ENCLOSURE 60

57" to 60" W x 66" H · Approx. entry: 26 ¼" to 29 ¼"

MODEL	FINISH	PRICE
NMZT60-11-40	Chrome	\$1,607
NMZT60-25-40	Brushed Nickel	\$1,645
NMZT60-33-40	Matte Black	\$1,680



MERCURY Tub Enclosure

Frameless sliding tub doors

10
year limited
warranty

2 sliding door panels for right or left hand entry

Anti-jump safety roller system

Vertical handles

5/16" (8mm) clear tempered glass

Tub door height: 66"

Chrome, Brushed Nickel & Matte Black finishes

 **FLEURCO™ SEKUR⁺ WITH EZ Clean^{*}**
SAFETY PROTECTION

*5 year limited warranty

 **Microtek[®]**
FLEURCO
Glass surface protection

CORDOBA PLUS Tub Enclosure

Semi-frameless sliding tub doors

3/8" (10 mm) Tempered clear glass • 60" Height

1/4" (6 mm) Tempered clear glass • 60" Height

BYPASS TUB ENCLOSURE 60

56" to 60" W x 60" H · Approx. entry: 24" to 28"

MODEL	FINISH	PRICE
1/4" (6 mm) tempered glass		
CKTS60-11-40	Chrome	\$1,328
CKTS60-25-40	Brushed Nickel	\$1,398
CKTS60-33-40	Matte Black	\$1,478
3/8" (10 mm) tempered glass		
CLTS60-11-40	Chrome	\$1,815
CLTS60-25-40	Brushed Nickel	\$1,881
CLTS60-33-40	Matte Black	\$1,976



CORDOBA PLUS Tub Enclosure

Semi-frameless sliding tub doors

10
year limited
warranty

- 2 sliding door panels for right or left hand entry
- Header features built in anti-jump system
- Deluxe quality roller system and bracket
- Superior bottom guiding system
- Easy to install
- 3/8" (10mm) or 1/4" (6mm) clear tempered glass
- Tub door height: 60"
- Chrome, Brushed Nickel & Matte Black finishes

 **FLEURCO™SEKUR⁺**
SAFETY PROTECTION*
*5 year limited warranty

WHAT IS
FLEURCO™SEKUR⁺
SAFETY PROTECTION

FleurcoSEKUR+ Safety Protection is a transparent film bonded directly onto the glass panel by means of an adhesive to improve safety by retaining the pieces together in the event of glass breakage.

What are the benefits?

FleurcoSEKUR+ Safety Protection film provides an added layer of security for you and your family. In the event of an accident, FleurcoSEKUR+ Safety Protection prevents the tempered glass door from shattering into thousands of pieces which could cause damage.

How is it applied?

Application is performed by a specialized machine. The film is always installed on the opposite face of our Microtek® glass protection.

How durable is it?

FleurcoSEKUR+ Safety Protection is very durable. It has been tested for long-term usage against chemicals and normal wear and meets the required standards.

How do I clean glass treated with it?

No abrasive materials should be used in cleaning a FleurcoSEKUR+ Safety Protection treated shower door. Cleaning with a damp cloth using a mixture of vinegar/mild soap with water is recommended.

FLEURCO™SEKUR⁺ WITH EZ Clean
SAFETY PROTECTION

EZ Clean is an innovative enhancement to the FleurcoSEKUR+ Safety Protection film. It applies a water-repellent coating directly on the safety film, making water bead and run off more easily and improving ease of maintenance. This allows the safety film side of the glass to face the interior of the shower, making previously non-reversible doors now fully reversible.

What are the benefits?

Doors with EZ clean no longer require a dedicated left or right side. The doors are now fully reversible which means door placement can be decided at the time of installation rather than choosing before ordering. This provides greater flexibility for customers & installers alike.

How do I clean glass treated with it?

We recommend the same cleaning method as any door with FleurcoSEKUR+ Safety Protection and Microtek®. No abrasive materials should be used.



Shattered glass maintains structure with
FLEURCOSEKUR⁺ SAFETY PROTECTION film

5
year limited
warranty