



**FEATURES + BENEFITS.....2-3**



**HALO BATHROOM MIRROR.....4-5**



**SUNRIZE BATHROOM MIRROR .....6-7**



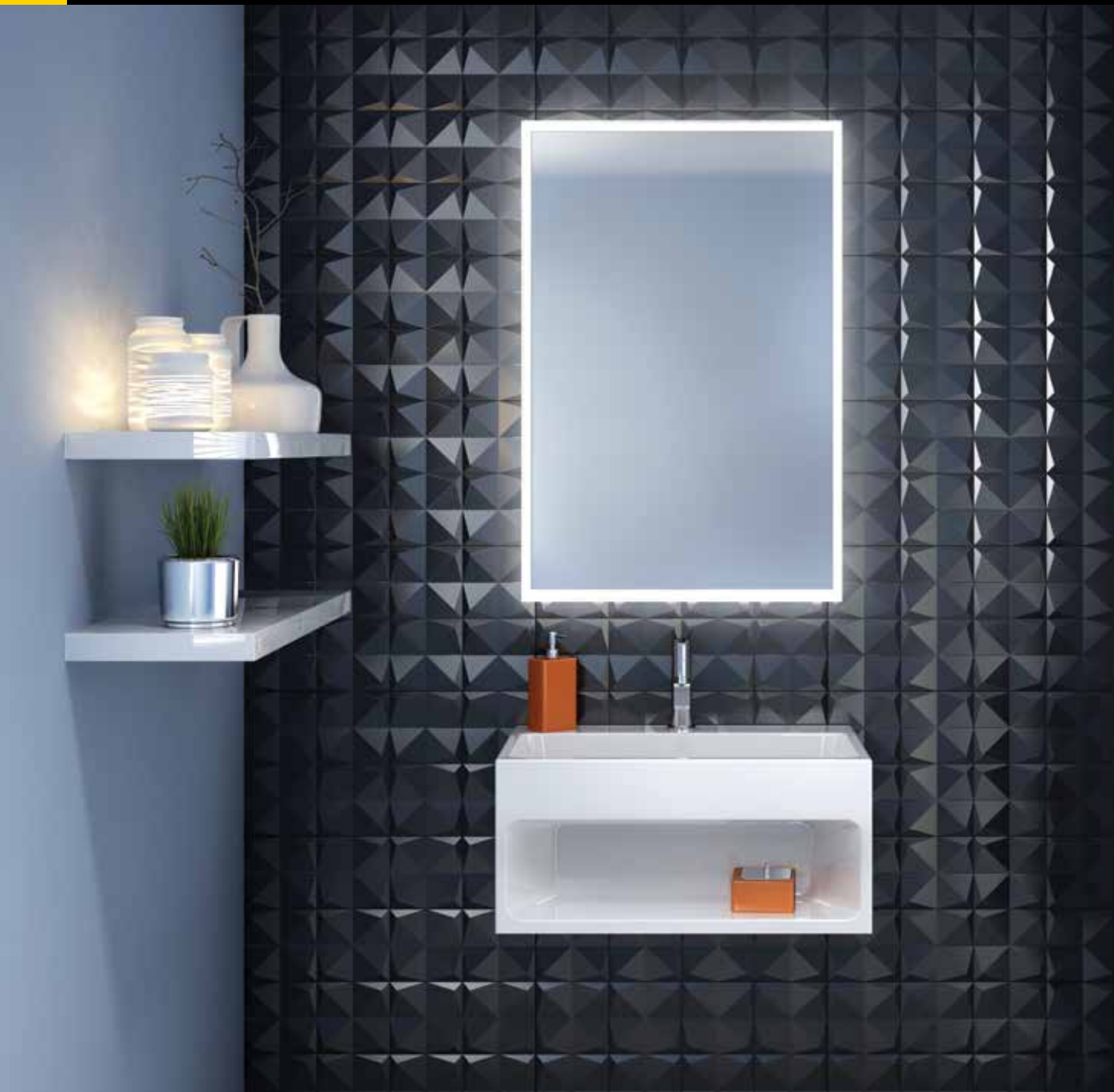
**DIONE MIRROR.....8-9**



**PANDORA MIRROR..... 10-11**

**DIMMER SPECIFICATIONS..... 12**

**TECHNICAL DRAWINGS..... 13-14**



**LED TECHNOLOGY**  
Energy efficient and compatible with an optional wall dimmer

**ALUMINUM FRAME**  
For easy installation

**5MM DISTORTION FREE GLASS**  
For quality and clarity

**UL LISTED FIXTURE**  
All components and product pass all UL listing codes

**COPPER FREE MIRROR**  
Prevents black edge corrosion

**DEFOGGER PAD**  
Targeted area for fog free reflection

**ACID ETCHED LIGHT BAND**  
Allows light to pass through mirror face

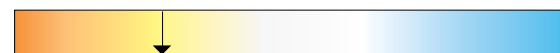
**PENCIL EDGE**  
For clean look

**WARM WHITE LIGHT**  
Best lighting for makeup and shaving

**ON-OFF TOUCH SWITCH**  
Easily located

**SAFETY FILM BACKING**  
For security

### 3500K WARM WHITE LIGHT



Kelvin (K) is a unit of measurement used to describe the hue of a specific light source. This is not necessarily related to the heat output of the light source but rather the color of the light output. The higher the Kelvin value of the light source, the closer the light's color output will be to actual daylight. Lumens is the measure of the total quantity of visible light emitted by a source.



Rely on UL, one of the world's leading independent product testing organizations, when you want to ensure that the luminaires and lighting system controls you buy and use in your environment are high performing, reliable and safe. When you look for quality, look for the UL Mark.

# HALO BATHROOM MIRROR

NEW!  
ROUND

VERTICAL

HORIZONTAL

MODEL	SIZE	PRICE	DEFOGGER
MHAR2424	24" x 24"	\$557	Single centered
MHA1836 <b>NEW!</b>	18" x 36"	\$595	Single centered
MHA2136 <b>NEW!</b>	21" x 36"	\$632	Single centered
MHA2436	24" x 36"	\$700	Single centered
MHA3036	30" x 36"	\$899	Single centered
MHA3636	36" x 36"	\$958	Single centered
MHA4236	42" x 36"	\$1,031	Double centered
MHA4836	48" x 36"	\$1,119	Double centered
MHA5436 <b>NEW!</b>	54" x 36"	\$1,192	Double split
MHA6036	60" x 36"	\$1,285	Double split
MHA7236	72" x 36"	\$1,430	Double split

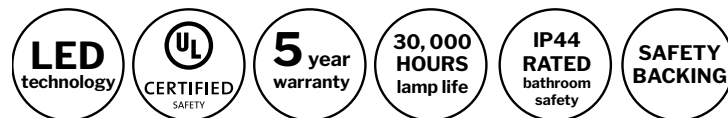
For dimmer instructions, see page 12\*

\*Dimmer not compatible with MHAR2424

For technical drawings, see page 13

## TECHNICAL SPECS

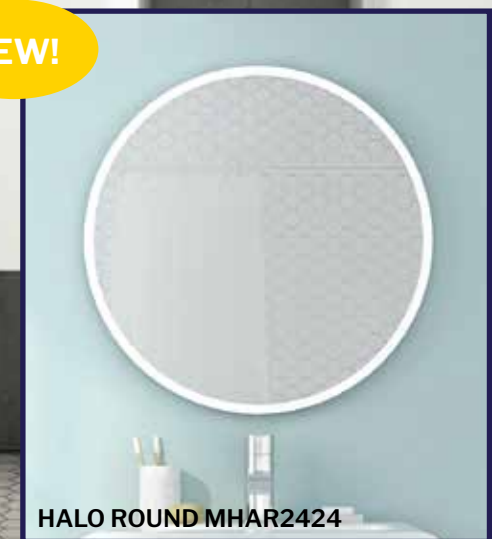
MODEL	LEDs	LUMENS	KELVIN	WATTS	INPUT	OUTPUT
MHAR2424	204 x 0.06W	1353 L	CCT 3500 K	20W	120V AC, 50/60Hz	24V
MHA1836	306 x 0.06W	1517 L	CCT 3500 K	43W	120V AC, 50/60Hz	24V
MHA2136	330 x 0.06W	1650 L	CCT 3500 K	45W	120V AC, 50/60Hz	24V
MHA2436	345 x 0.06W	1725 L	CCT 3500 K	45W	120V AC, 50/60Hz	24V
MHA3036	381 x 0.06W	1905 L	CCT 3500 K	50W	120V AC, 50/60Hz	24V
MHA3636	420 x 0.06W	2100 L	CCT 3500 K	50W	120V AC, 50/60Hz	24V
MHA4236	456 x 0.06W	2280 L	CCT 3500 K	77W	120V AC, 50/60Hz	24V
MHA4836	492 x 0.06W	2460 L	CCT 3500 K	79W	120V AC, 50/60Hz	24V
MHA5436	528 x 0.06W	2625 L	CCT 3500 K	85W	120V AC, 50/60Hz	24V
MHA6036	567 x 0.06W	2835 L	CCT 3500 K	80W	120V AC, 50/60Hz	24V
MHA7236	639 x 0.06W	3195 L	CCT 3500 K	85W	120V AC, 50/60Hz	24V



## HALO



NEW!



HALO ROUND MHAR2424

# SUNRIZE BATHROOM MIRROR

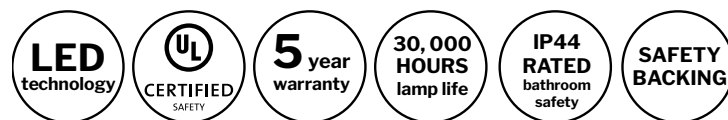
	MODEL	SIZE	PRICE	DEFOGGER	LIGHT PLACEMENT
VERTICAL	MSU2436	24" x 36"	\$526	Single centered	Edges
	MSU3036	30" x 36"	\$643	Single centered	Edges
	MSU3636	36" x 36"	\$656	Single centered	Edges
	MSU03636L <b>NEW!</b>	36" x 36"	\$625	Single off centered	Off centered left
	MSU03636R <b>NEW!</b>	36" x 36"	\$625	Single off centered	Off centered right
HORIZONTAL	MSU4236	42" x 36"	\$674	Double centered	Edges
	MSU4836	48" x 36"	\$722	Double centered	Edges
	MSUC4836 <b>NEW!</b>	48" x 36"	\$703	Single centered	Centered
	MSUC6036 <b>NEW!</b>	60" x 36"	\$941	Single centered	Centered

For dimmer instructions, see page 12

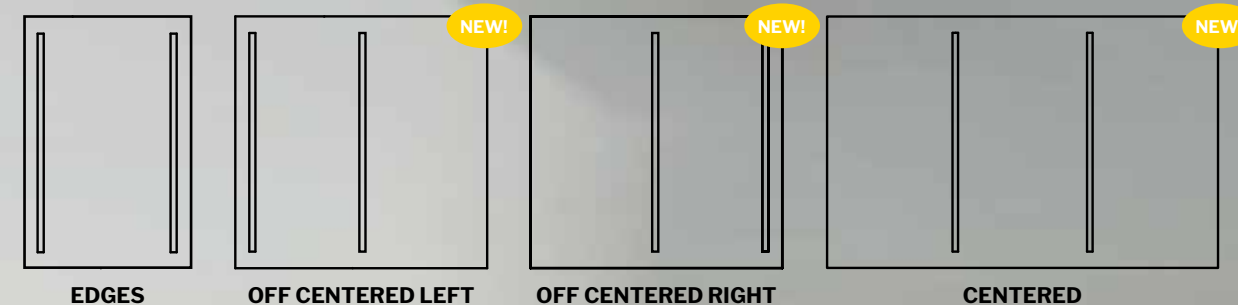
For technical drawings, see page 14

## TECHNICAL SPECS

MODEL	LEDs	LUMENS	KELVIN	WATTS	INPUT	OUTPUT
MSU2436	126 x 0.06W	630 L	CCT 3500 K	40W	120V AC, 50/60Hz	24V
MSU3036	126 x 0.06W	630 L	CCT 3500 K	40W	120V AC, 50/60Hz	24V
MSU3636	126 x 0.06W	630 L	CCT 3500 K	40W	120V AC, 50/60Hz	24V
MSU03636L	126 x 0.06W	630 L	CCT 3500 K	40W	120V AC, 50/60Hz	24V
MSU03636R	126 x 0.06W	630 L	CCT 3500 K	40W	120V AC, 50/60Hz	24V
MSU4236	126 x 0.06W	630 L	CCT 3500 K	65W	120V AC, 50/60Hz	24V
MSU4836	126 x 0.06W	630 L	CCT 3500 K	65W	120V AC, 50/60Hz	24V
MSUC4836	126 x 0.06W	630 L	CCT 3500 K	40W	120V AC, 50/60Hz	24V
MSUC6036	126 x 0.06W	630 L	CCT 3500 K	40W	120V AC, 50/60Hz	24V



## LIGHT CONFIGURATIONS



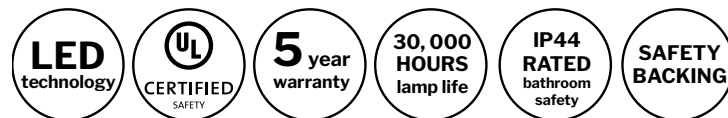
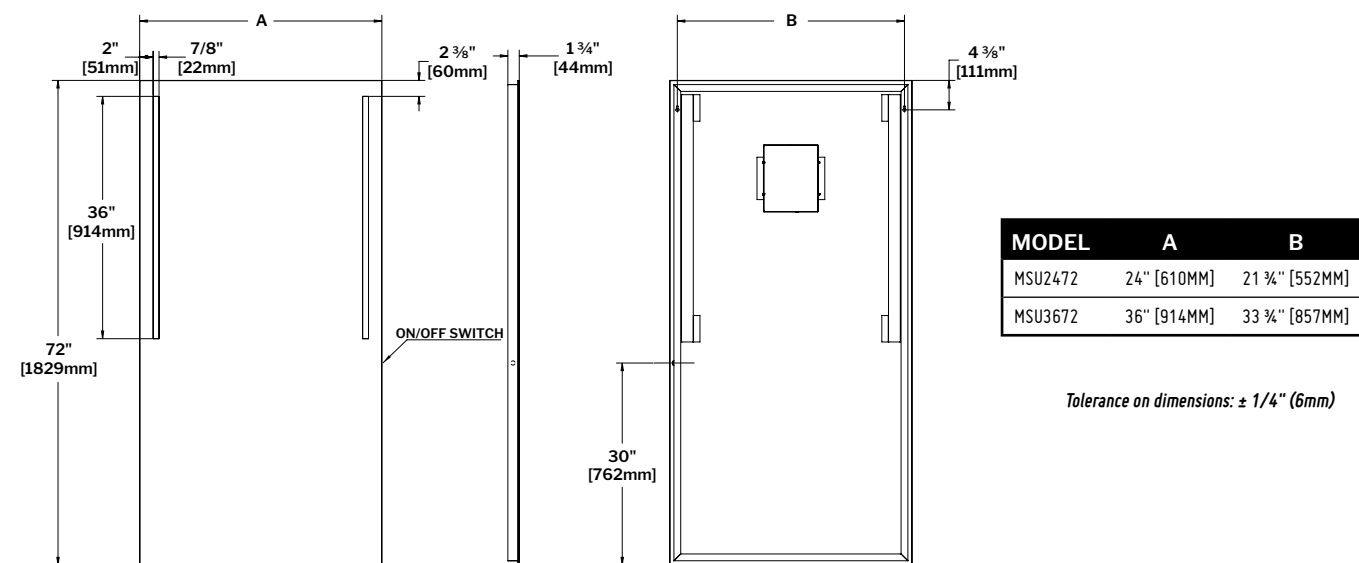
## DIONE MIRROR

MODEL	SIZE	PRICE	DEFOGGER
MSU2472	24" x 72"	\$579	N/A
MSU3672	36" x 72"	\$826	N/A

For dimmer instructions, see page 12

## TECHNICAL SPECS

MODEL	LEDs	LUMENS	KELVIN	WATTS	INPUT	OUTPUT
MSU2472	138 x 0.06W	690 L	CCT 3500 K	16W	120V AC, 50/60Hz	24V
MSU3672	138 x 0.06W	690 L	CCT 3500 K	16W	120V AC, 50/60Hz	24V



DIONE

luna

## PANDORA MIRROR

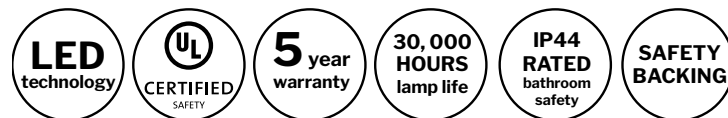
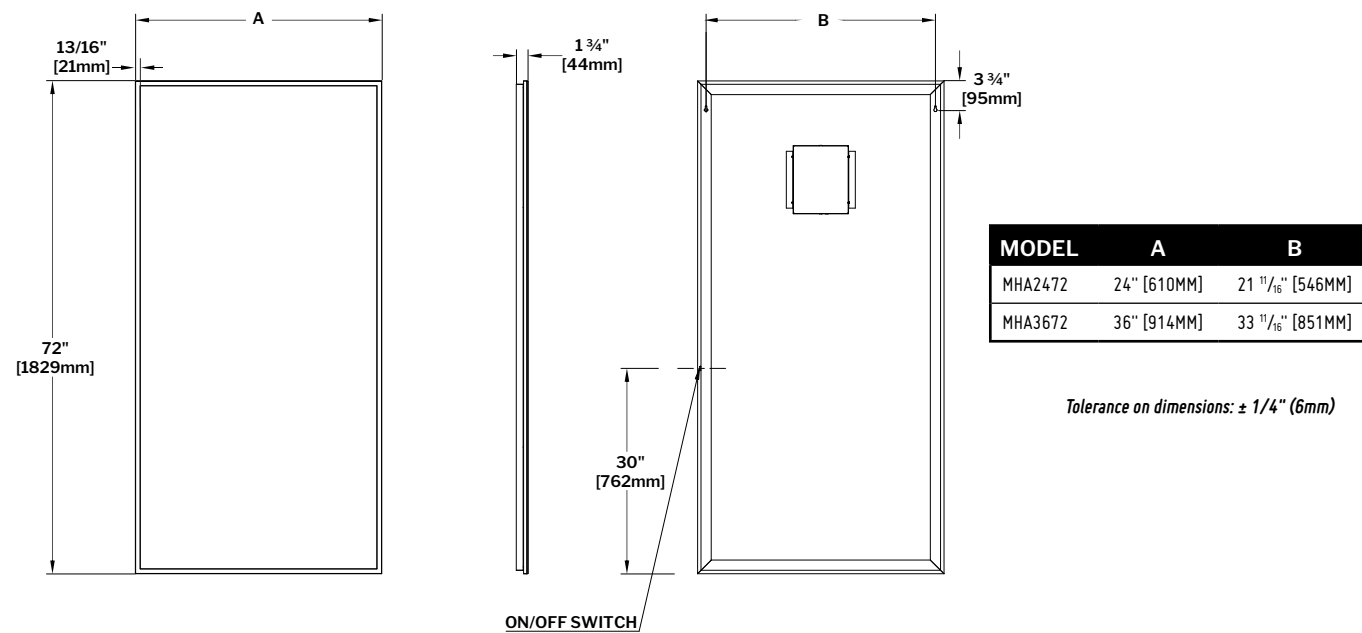
NEW!

MODEL	SIZE	PRICE	DEFOGGER
MHA2472	24" x 72"	\$1,141	N/A
MHA3672	36" x 72"	\$1,263	N/A

For dimmer instructions, see page 12

## TECHNICAL SPECS

MODEL	LEDs	LUMENS	KELVIN	WATTS	INPUT	OUTPUT
MHA2472	564 x 0.06W	2835 L	CCT 3500 K	31W	120V AC, 50/60Hz	24V
MHA3672	636 x 0.06W	3230 L	CCT 3500 K	33W	120V AC, 50/60Hz	24V



## PANDORA

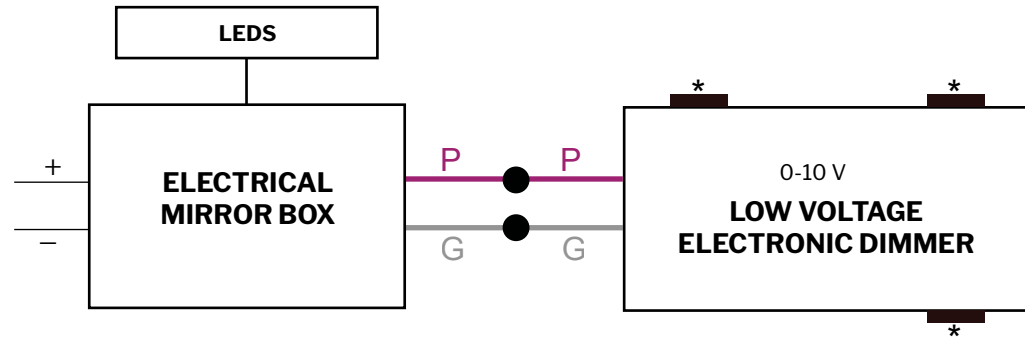
NEW!

luna



## MIRROR TO WALL DIMMER

P = PURPLE  
G = GREY



\*FOLLOW MANUFACTURER INSTRUCTIONS FOR DIMMER INSTALLATION

### DIMMER SPECIFICATIONS:

0-10V low voltage electric dimmer for LED lights.

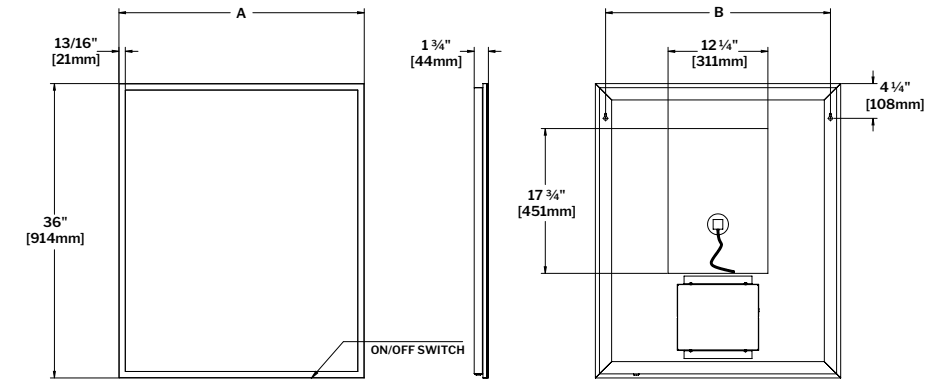
### NOTE:

These electric components can be purchased at specialized electrical retailers. All wire extensions must be of low voltage type.

### MODELS SUGGESTED:

- DIVA DDTV from LUTRON
- IllumaTech IP710 from LEVITON
- DEVINE DF10P from COOPER
- SKYE SF10P COOPER

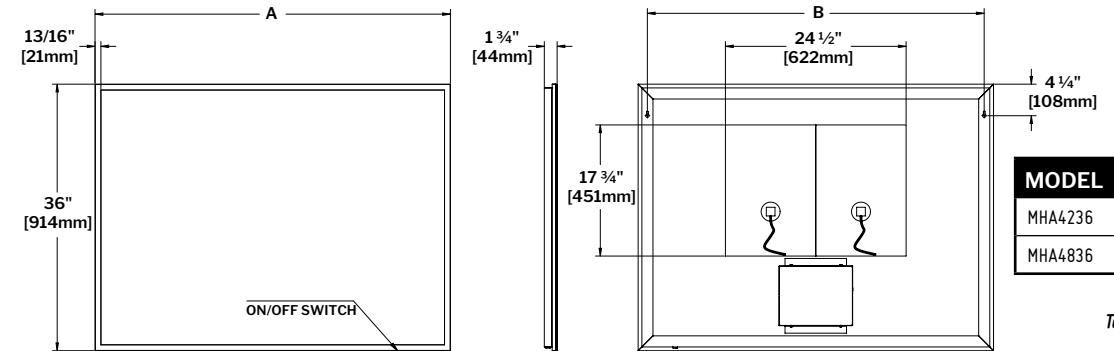
## SINGLE CENTERED DEFOGGER



MODEL	A	B
MHA1836	18" [457MM]	15 1/2" [394MM]
MHA2136	21" [533MM]	18 1/2" [470MM]
MHA2436	24" [610MM]	21 1/2" [546MM]
MHA3036	30" [762MM]	27 1/2" [699MM]
MHA3636	36" [914MM]	33 1/2" [851MM]

Tolerance on dimensions: ± 1/4" (6mm)

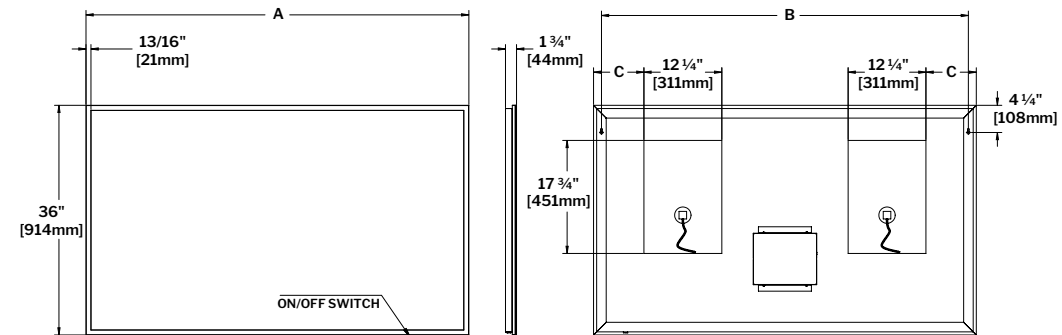
## DOUBLE CENTERED DEFOGGER



MODEL	A	B
MHA4236	42" [1067MM]	39 1/2" [1003MM]
MHA4836	48" [1219MM]	45 1/2" [1156MM]

Tolerance on dimensions: ± 1/4" (6mm)

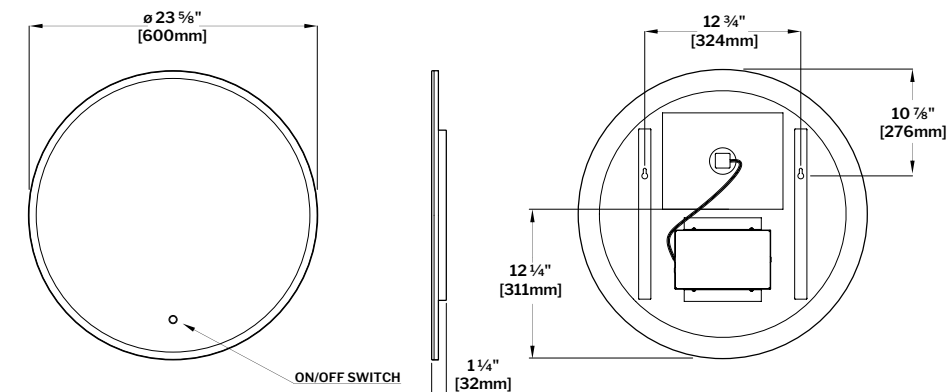
## DOUBLE SPLIT DEFOGGER



MODEL	A	B	C
MHA5436	54" [1372MM]	51 1/2" [1308MM]	12 1/4" [311MM]
MHA6036	60" [1524MM]	57 1/2" [1461MM]	8" [203MM]
MHA7236	72" [1829MM]	69 1/2" [1765MM]	10" [254MM]

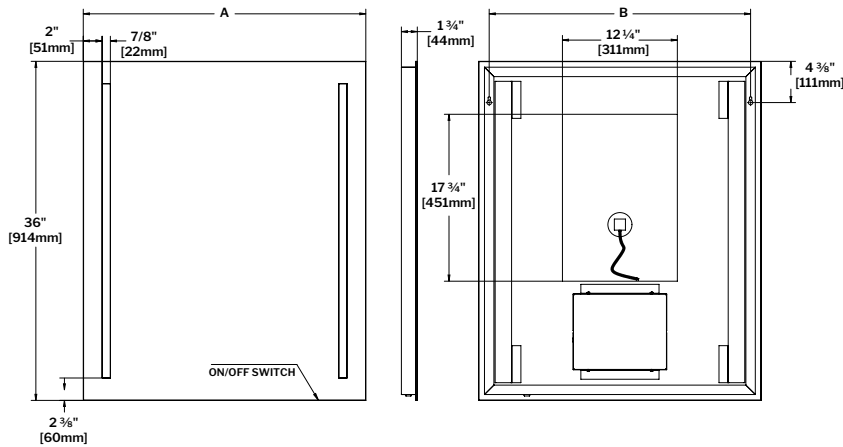
Tolerance on dimensions: ± 1/4" (6mm)

## HALO ROUND



Tolerance on dimensions: ± 1/4" (6mm)

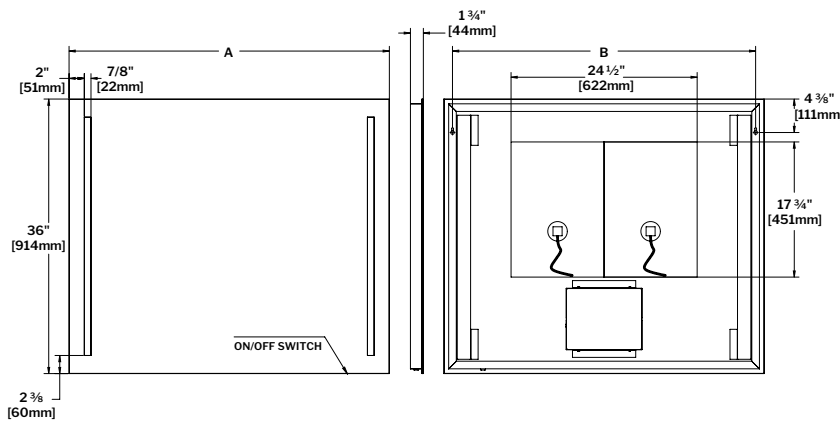
## SINGLE CENTERED DEFOGGER / EDGE LIGHT PLACEMENT



MODEL	A	B
MSU2436	24" [610MM]	21 3/4" [552MM]
MSU3036	30" [762MM]	27 3/4" [705MM]
MSU3636	36" [914MM]	33 3/4" [857MM]

Tolerance on dimensions:  $\pm 1/4"$  (6mm)

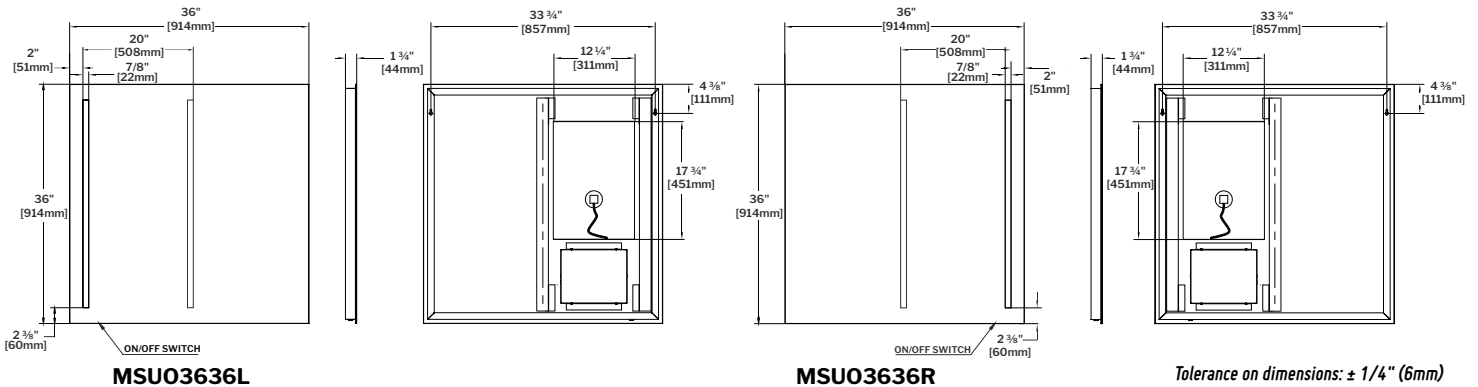
## DOUBLE CENTERED DEFOGGER / EDGE LIGHT PLACEMENT



MODEL	A	B
MSU4236	42" [1067MM]	39 3/4" [1010MM]
MSU4836	48" [1219MM]	45 3/4" [1162MM]

Tolerance on dimensions:  $\pm 1/4"$  (6mm)

## OFF CENTERED DEFOGGER / OFF CENTERED LIGHT PLACEMENT

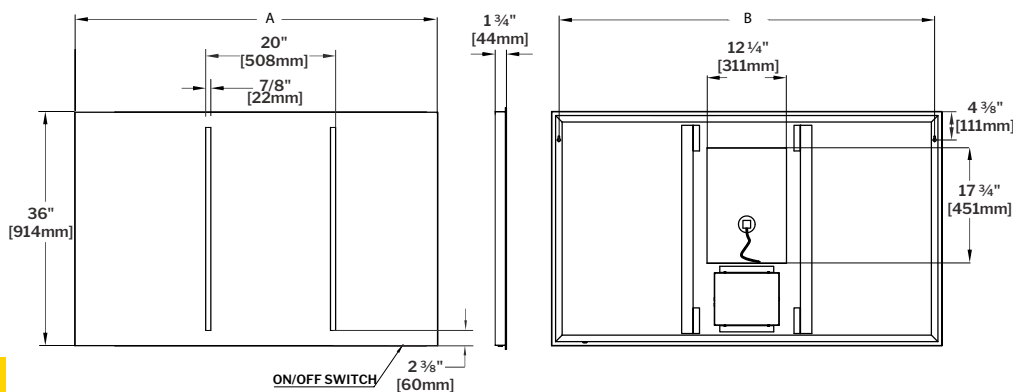


MSU03636L

MSU03636R

Tolerance on dimensions:  $\pm 1/4"$  (6mm)

## SINGLE CENTERED DEFOGGER / CENTERED LIGHT PLACEMENT



MODEL	A	B
MSUC4836	48" [1219MM]	45 3/4" [1162MM]
MSUC6036	60" [1524MM]	57 3/4" [1467MM]

Tolerance on dimensions:  $\pm 1/4"$  (6mm)