



FEATURES + BENEFITS.....2-3



HALO BATHROOM MIRROR.....4-5



SUNRIZE BATHROOM MIRROR6-7



DIONE MIRROR.....8-9

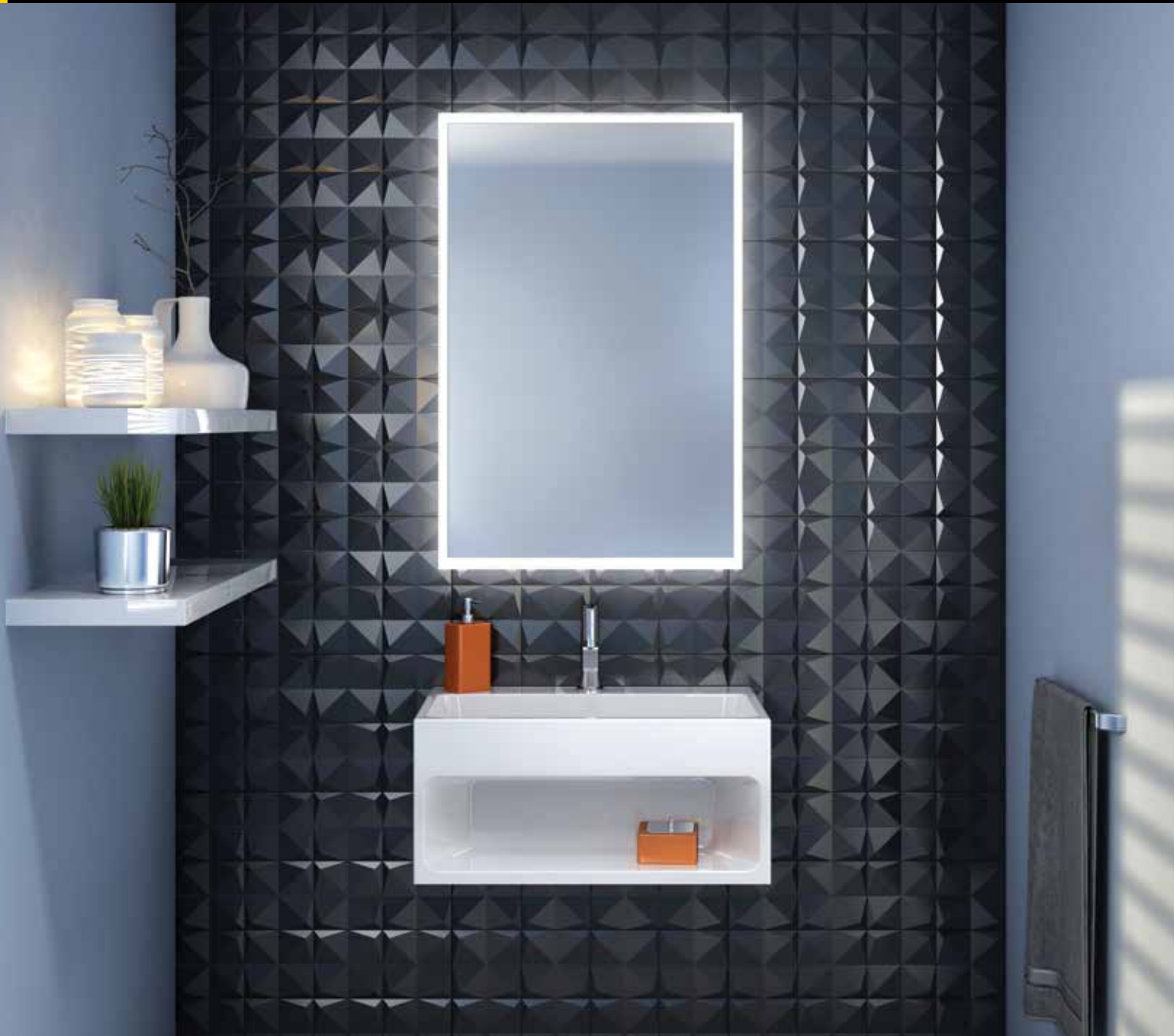
NEW!



PANDORA MIRROR..... 10-11

DIMMER SPECIFICATIONS..... 12

TECHNICAL DRAWINGS..... 13-14

**3500K WARM WHITE LIGHT**

Kelvin (K) is a unit of measurement used to describe the hue of a specific light source. This is not necessarily related to the heat output of the light source but rather the color of the light output. The higher the Kelvin value of the light source, the closer the light's color output will be to actual daylight.

Lumens is the measure of the total quantity of visible light emitted by a source.

FEATURES + BENEFITS

luna

MIRRORS

LED TECHNOLOGY
Energy efficient and compatible with an optional wall dimmer

5MM DISTORTION FREE GLASS
For quality and clarity

COPPER FREE MIRROR
Prevents black edge corrosion

PENCIL EDGE
For clean look

SAFETY FILM BACKING
For security

DEFOGGER PAD
Targeted area for fog free reflection

WARM WHITE LIGHT
Best lighting for makeup and shaving

ALUMINUM FRAME
For easy installation

UL LISTED FIXTURE
All components and product pass all UL listing codes

ACID ETCHED LIGHT BAND
Allows light to pass through mirror face

ON-OFF TOUCH SWITCH
Easily located



Rely on UL, one of the world's leading independent product testing organizations, when you want to ensure that the luminaires and lighting system controls you buy and use in your environment are high performing, reliable and safe. When you look for quality, look for the UL Mark.

HALO BATHROOM MIRROR

NEW!
ROUND

VERTICAL

HORIZONTAL

MODEL	SIZE	PRICE	DEFOGGER
MHAR2424	24" x 24"	\$521	Single centered
MHA1836 NEW!	18" x 36"	\$556	Single centered
MHA2136 NEW!	21" x 36"	\$591	Single centered
MHA2436	24" x 36"	\$655	Single centered
MHA3036	30" x 36"	\$840	Single centered
MHA3636	36" x 36"	\$896	Single centered
MHA4236	42" x 36"	\$964	Double centered
MHA4836	48" x 36"	\$1,046	Double centered
MHA5436 NEW!	54" x 36"	\$1,114	Double split
MHA6036	60" x 36"	\$1,201	Double split
MHA7236	72" x 36"	\$1,337	Double split

For dimmer instructions, see page 12*

*Dimmer not compatible with MHAR2424

For technical drawings, see page 13

TECHNICAL SPECS

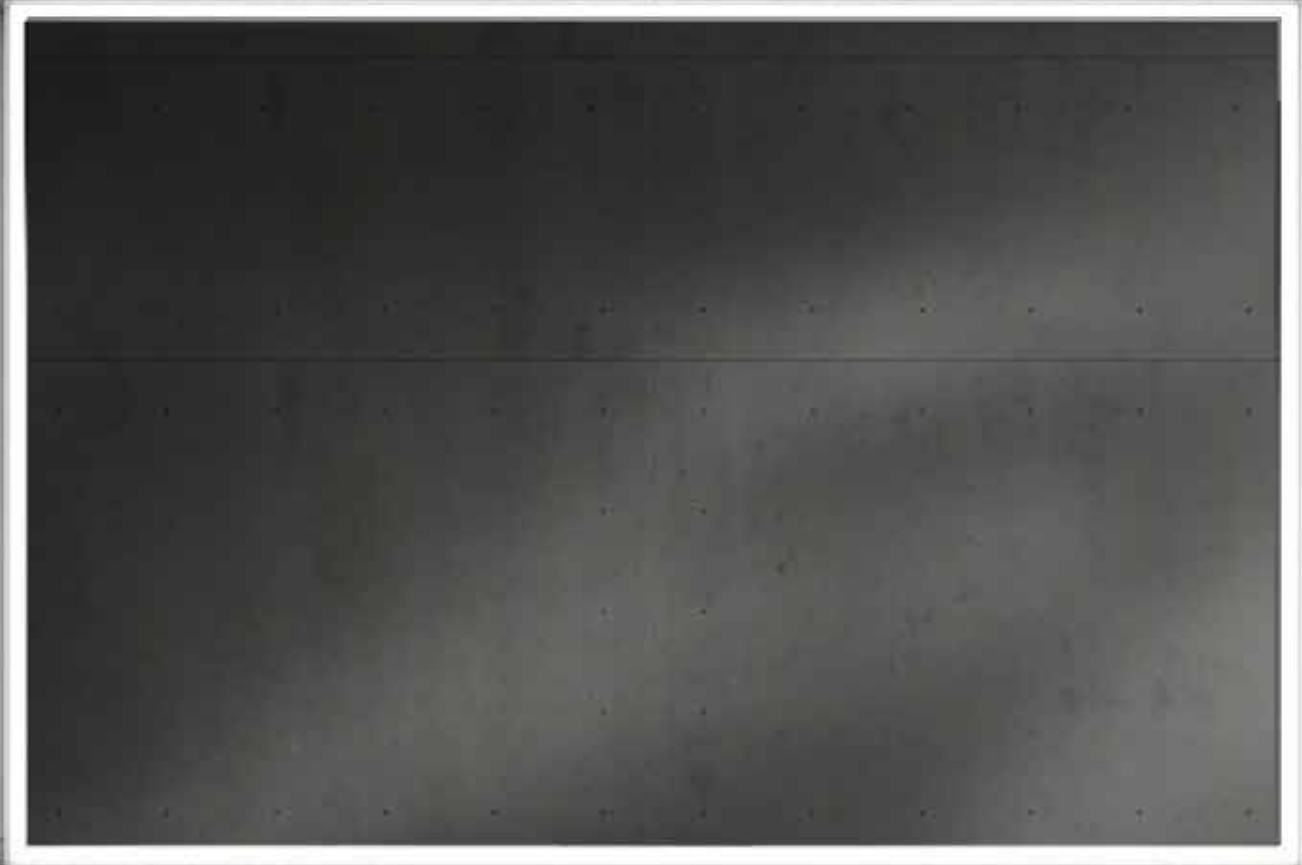
MODEL	LEDs	LUMENS	KELVIN	WATTS	INPUT	OUTPUT
MHAR2424	204 x 0.06W	1353 L	CCT 3500 K	20W	120V AC, 50/60Hz	24V
MHA1836	306 x 0.06W	1517 L	CCT 3500 K	43W	120V AC, 50/60Hz	24V
MHA2136	330 x 0.06W	1650 L	CCT 3500 K	45W	120V AC, 50/60Hz	24V
MHA2436	345 x 0.06W	1725 L	CCT 3500 K	45W	120V AC, 50/60Hz	24V
MHA3036	381 x 0.06W	1905 L	CCT 3500 K	50W	120V AC, 50/60Hz	24V
MHA3636	420 x 0.06W	2100 L	CCT 3500 K	50W	120V AC, 50/60Hz	24V
MHA4236	456 x 0.06W	2280 L	CCT 3500 K	77W	120V AC, 50/60Hz	24V
MHA4836	492 x 0.06W	2460 L	CCT 3500 K	79W	120V AC, 50/60Hz	24V
MHA5436	528 x 0.06W	2625 L	CCT 3500 K	85W	120V AC, 50/60Hz	24V
MHA6036	567 x 0.06W	2835 L	CCT 3500 K	80W	120V AC, 50/60Hz	24V
MHA7236	639 x 0.06W	3195 L	CCT 3500 K	85W	120V AC, 50/60Hz	24V



HALO

luna

MIRRORS



NEW!



HALO ROUND MHAR2424

MODEL MHA6036

www.fleurcoluna.com

FLEURCO™

SUNRIZE BATHROOM MIRROR

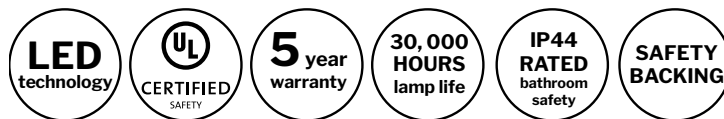
	MODEL	SIZE	PRICE	DEFOGGER	LIGHT PLACEMENT
VERTICAL	MSU2436	24" x 36"	\$492	Single centered	Edges
	MSU3036	30" x 36"	\$602	Single centered	Edges
	MSU3636	36" x 36"	\$614	Single centered	Edges
	MSU03636L NEW!	36" x 36"	\$585	Single off centered	Off centered left
	MSU03636R NEW!	36" x 36"	\$585	Single off centered	Off centered right
HORIZONTAL	MSU4236	42" x 36"	\$630	Double centered	Edges
	MSU4836	48" x 36"	\$676	Double centered	Edges
	MSUC4836 NEW!	48" x 36"	\$657	Single centered	Centered
	MSUC6036 NEW!	60" x 36"	\$880	Single centered	Centered

For dimmer instructions, see page 12

For technical drawings, see page 14

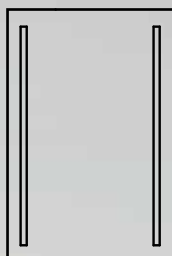
TECHNICAL SPECS

MODEL	LEDs	LUMENS	KELVIN	WATTS	INPUT	OUTPUT
MSU2436	126 x 0.06W	630 L	CCT 3500 K	40W	120V AC, 50/60Hz	24V
MSU3036	126 x 0.06W	630 L	CCT 3500 K	40W	120V AC, 50/60Hz	24V
MSU3636	126 x 0.06W	630 L	CCT 3500 K	40W	120V AC, 50/60Hz	24V
MSU03636L	126 x 0.06W	630 L	CCT 3500 K	40W	120V AC, 50/60Hz	24V
MSU03636R	126 x 0.06W	630 L	CCT 3500 K	40W	120V AC, 50/60Hz	24V
MSU4236	126 x 0.06W	630 L	CCT 3500 K	65W	120V AC, 50/60Hz	24V
MSU4836	126 x 0.06W	630 L	CCT 3500 K	65W	120V AC, 50/60Hz	24V
MSUC4836	126 x 0.06W	630 L	CCT 3500 K	40W	120V AC, 50/60Hz	24V
MSUC6036	126 x 0.06W	630 L	CCT 3500 K	40W	120V AC, 50/60Hz	24V

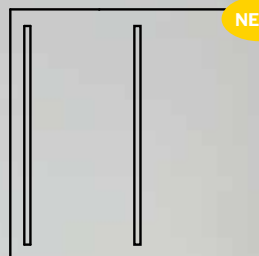




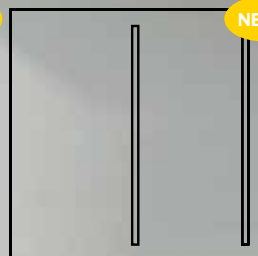
LIGHT CONFIGURATIONS



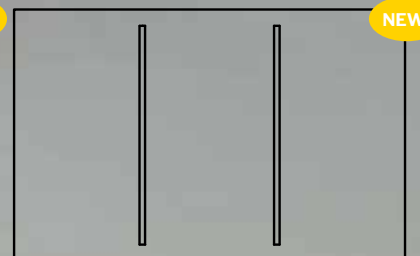
EDGES



OFF CENTERED LEFT



OFF CENTERED RIGHT



CENTERED

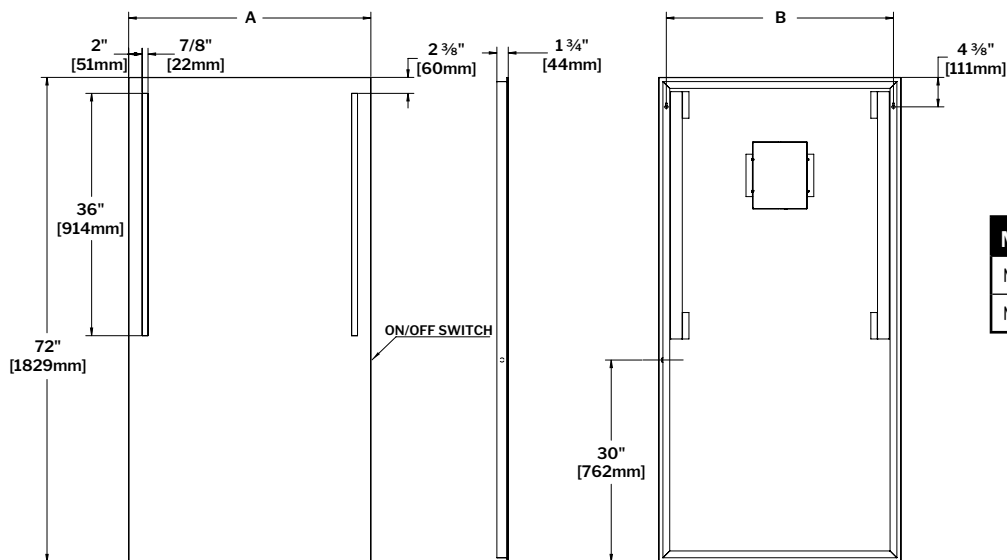
DIONE MIRROR

MODEL	SIZE	PRICE	DEFOGGER
MSU2472	24" x 72"	\$542	N/A
MSU3672	36" x 72"	\$773	N/A

For dimmer instructions, see page 12

TECHNICAL SPECS

MODEL	LEDs	LUMENS	KELVIN	WATTS	INPUT	OUTPUT
MSU2472	138 x 0.06W	690 L	CCT 3500 K	16W	120V AC, 50/60Hz	24V
MSU3672	138 x 0.06W	690 L	CCT 3500 K	16W	120V AC, 50/60Hz	24V



MODEL	A	B
MSU2472	24" [610MM]	21 3/4" [552MM]
MSU3672	36" [914MM]	33 3/4" [857MM]

Tolerance on dimensions: $\pm 1/4"$ (6mm)



DIONE

luna

MIRRORS



MODEL MSU3672

www.fleurcoluna.com

 FLEURCO™

9

PANDORA MIRROR

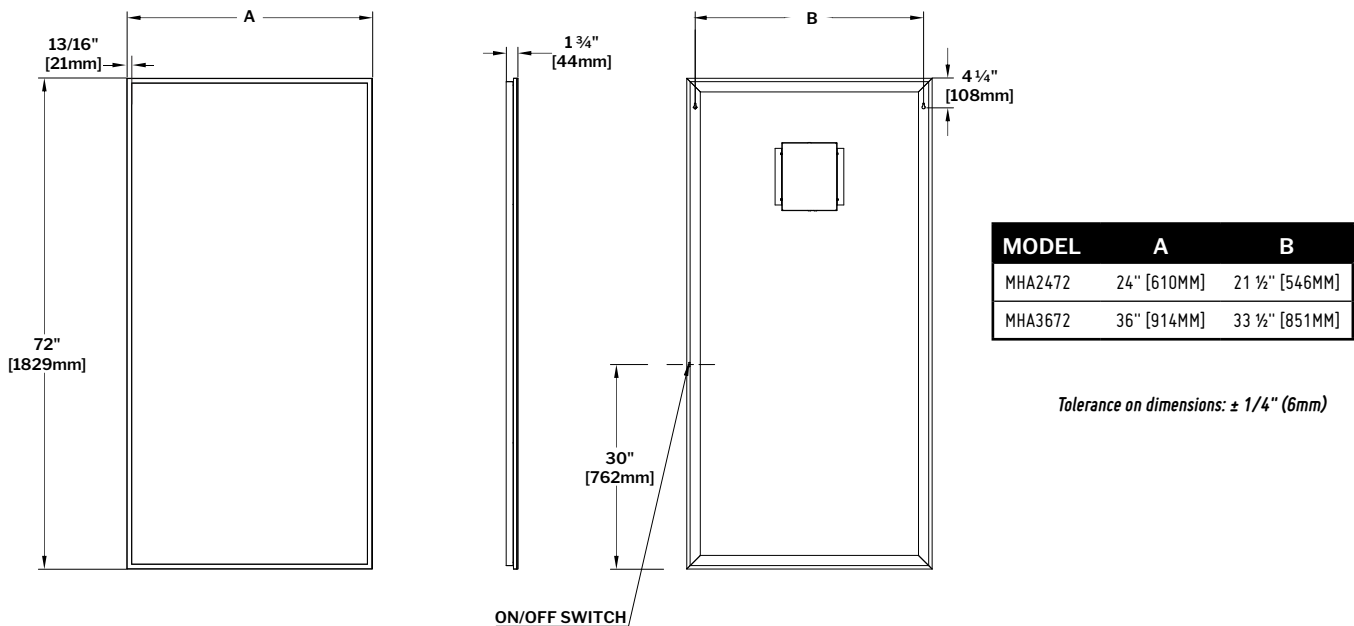
NEW!

MODEL	SIZE	PRICE	DEFOGGER
MHA2472	24" x 72"	\$1,067	N/A
MHA3672	36" x 72"	\$1,180	N/A

For dimmer instructions, see page 12

TECHNICAL SPECS

MODEL	LEDs	LUMENS	KELVIN	WATTS	INPUT	OUTPUT
MHA2472	564 x 0.06W	2835 L	CCT 3500 K	31W	120V AC, 50/60Hz	24V
MHA3672	636 x 0.06W	3230 L	CCT 3500 K	33W	120V AC, 50/60Hz	24V



PANDORA

NEW!

luna

MIRRORS



MODEL MHA2472

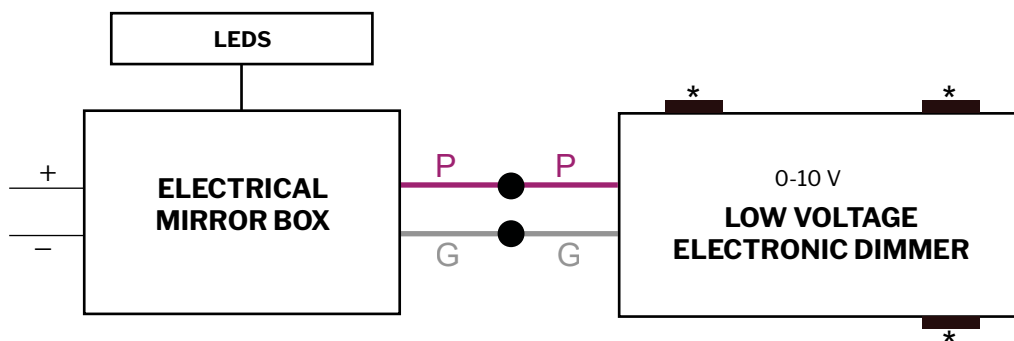
www.fleurcoluna.com

 FLEURCO™

LIGHTED MIRRORS CONNECTION DIAGRAM

MIRROR TO WALL DIMMER

P = PURPLE
G = GREY



***FOLLOW MANUFACTURER INSTRUCTIONS FOR DIMMER INSTALLATION**

DIMMER SPECIFICATIONS:

0-10V low voltage electric dimmer for LED lights.

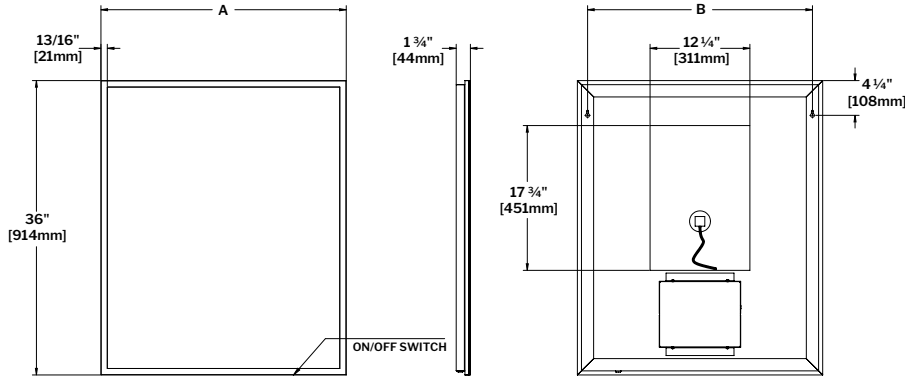
NOTE:

These electric components can be purchased at specialized electrical retailers.
All wire extensions must be of low voltage type.

MODELS SUGGESTED:

DIVA DDTV from LUTRON
IllumaTech IP710 from LEVITON
DEVINE DF10P from COOPER
SKYE SF10P COOPER

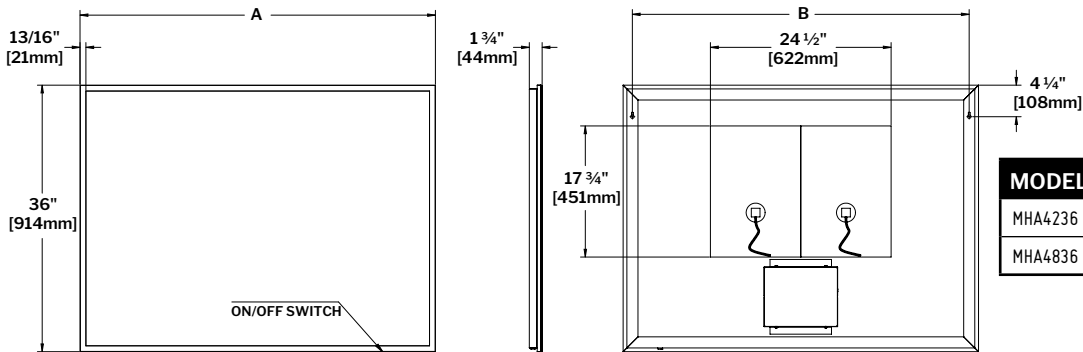
SINGLE CENTERED DEFOGGER



MODEL	A	B
MHA1836	18" [457MM]	15 1/2" [394MM]
MHA2136	21" [533MM]	18 1/2" [470MM]
MHA2436	24" [610MM]	21 1/2" [546MM]
MHA3036	30" [762MM]	27 1/2" [699MM]
MHA3636	36" [914MM]	33 1/2" [851MM]

Tolerance on dimensions: ± 1/4" (6mm)

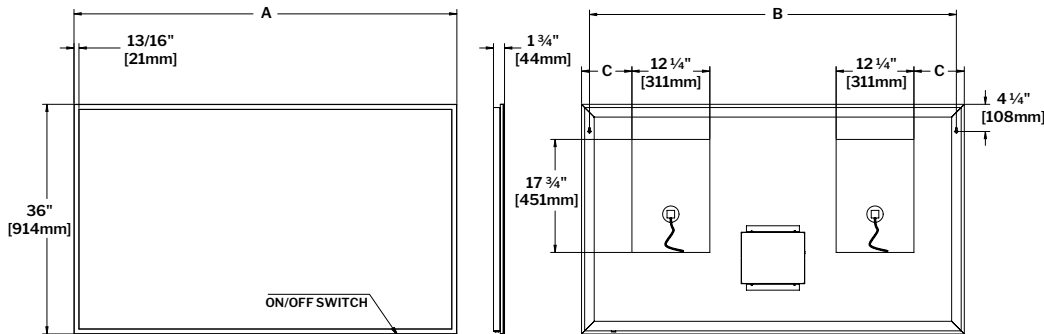
DOUBLE CENTERED DEFOGGER



MODEL	A	B
MHA4236	42" [1067MM]	39 1/2" [1003MM]
MHA4836	48" [1219MM]	45 1/2" [1156MM]

Tolerance on dimensions: ± 1/4" (6mm)

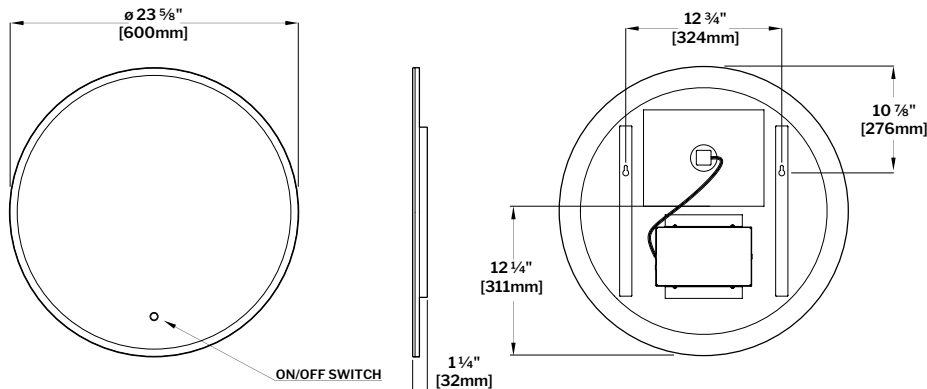
DOUBLE SPLIT DEFOGGER



MODEL	A	B	C
MHA5436	54" [1372MM]	51 1/2" [1308MM]	12 1/4" [311MM]
MHA6036	60" [1524MM]	57 1/2" [1461MM]	8" [203MM]
MHA7236	72" [1829MM]	69 1/2" [1765MM]	10" [254MM]

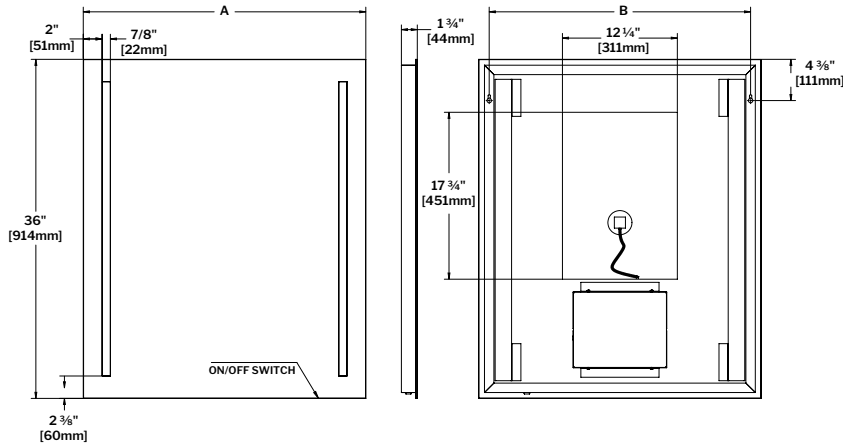
Tolerance on dimensions: ± 1/4" (6mm)

HALO ROUND



Tolerance on dimensions: ± 1/4" (6mm)

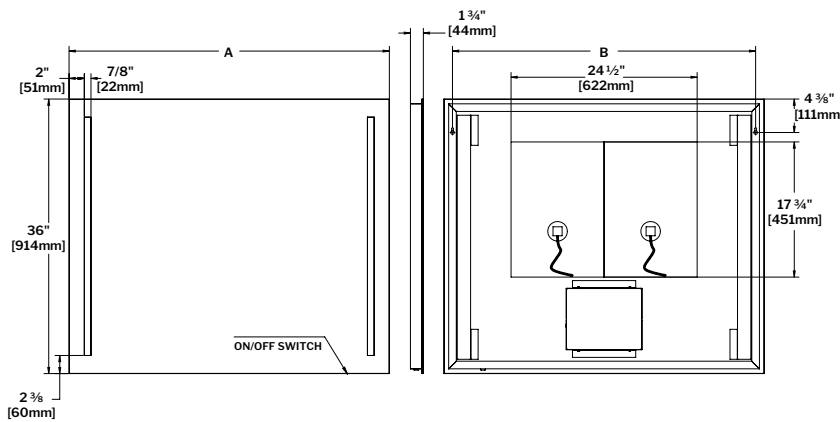
SINGLE CENTERED DEFOGGER / EDGE LIGHT PLACEMENT



MODEL	A	B
MSU2436	24" [610MM]	21 3/4" [552MM]
MSU3036	30" [762MM]	27 3/4" [705MM]
MSU3636	36" [914MM]	33 3/4" [857MM]

Tolerance on dimensions: ± 1/4" (6mm)

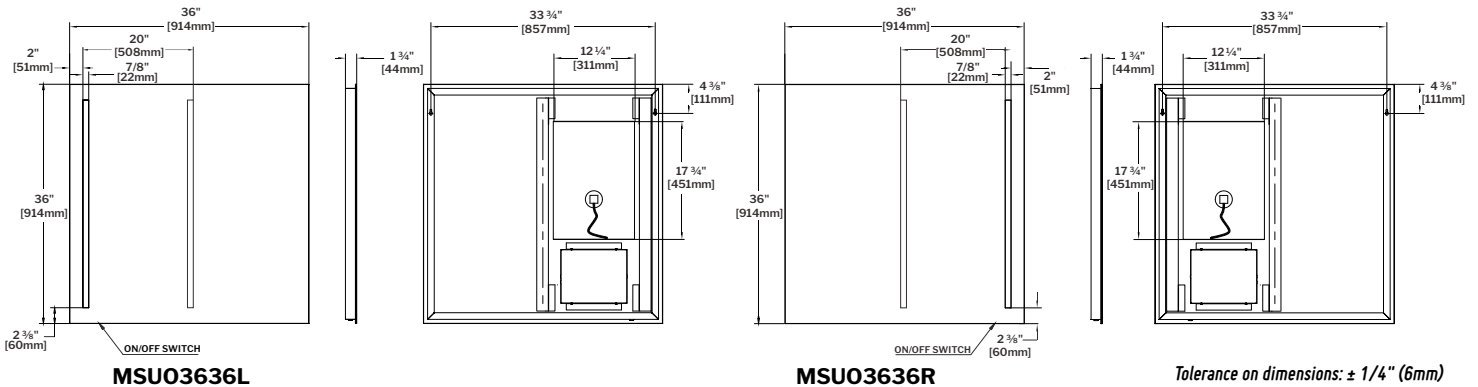
DOUBLE CENTERED DEFOGGER / EDGE LIGHT PLACEMENT



MODEL	A	B
MSU4236	42" [1067MM]	39 3/4" [1010MM]
MSU4836	48" [1219MM]	45 3/4" [1162MM]

Tolerance on dimensions: ± 1/4" (6mm)

OFF CENTERED DEFOGGER / OFF CENTERED LIGHT PLACEMENT

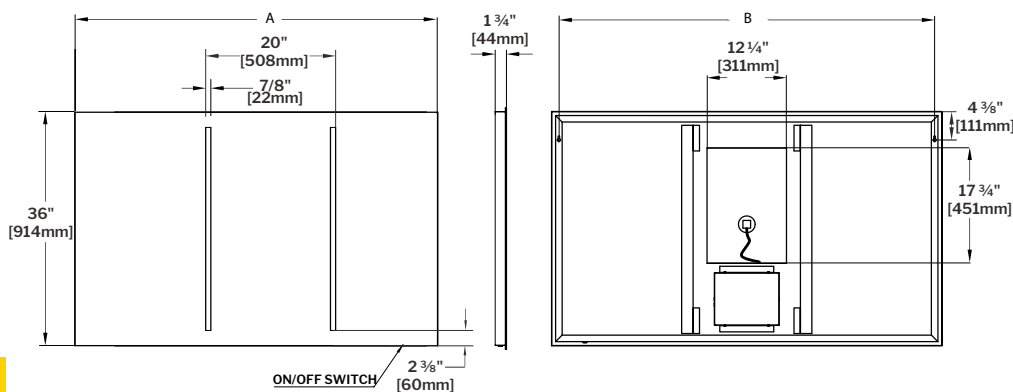


MSU03636L

MSU03636R

Tolerance on dimensions: ± 1/4" (6mm)

SINGLE CENTERED DEFOGGER / CENTERED LIGHT PLACEMENT



MODEL	A	B
MSUC4836	48" [1219MM]	45 3/4" [1162MM]
MSUC6036	60" [1524MM]	57 3/4" [1467MM]

Tolerance on dimensions: ± 1/4" (6mm)