

**Features + Benefits** **2 - 3**



**Halo** bathroom mirror **4 - 5**



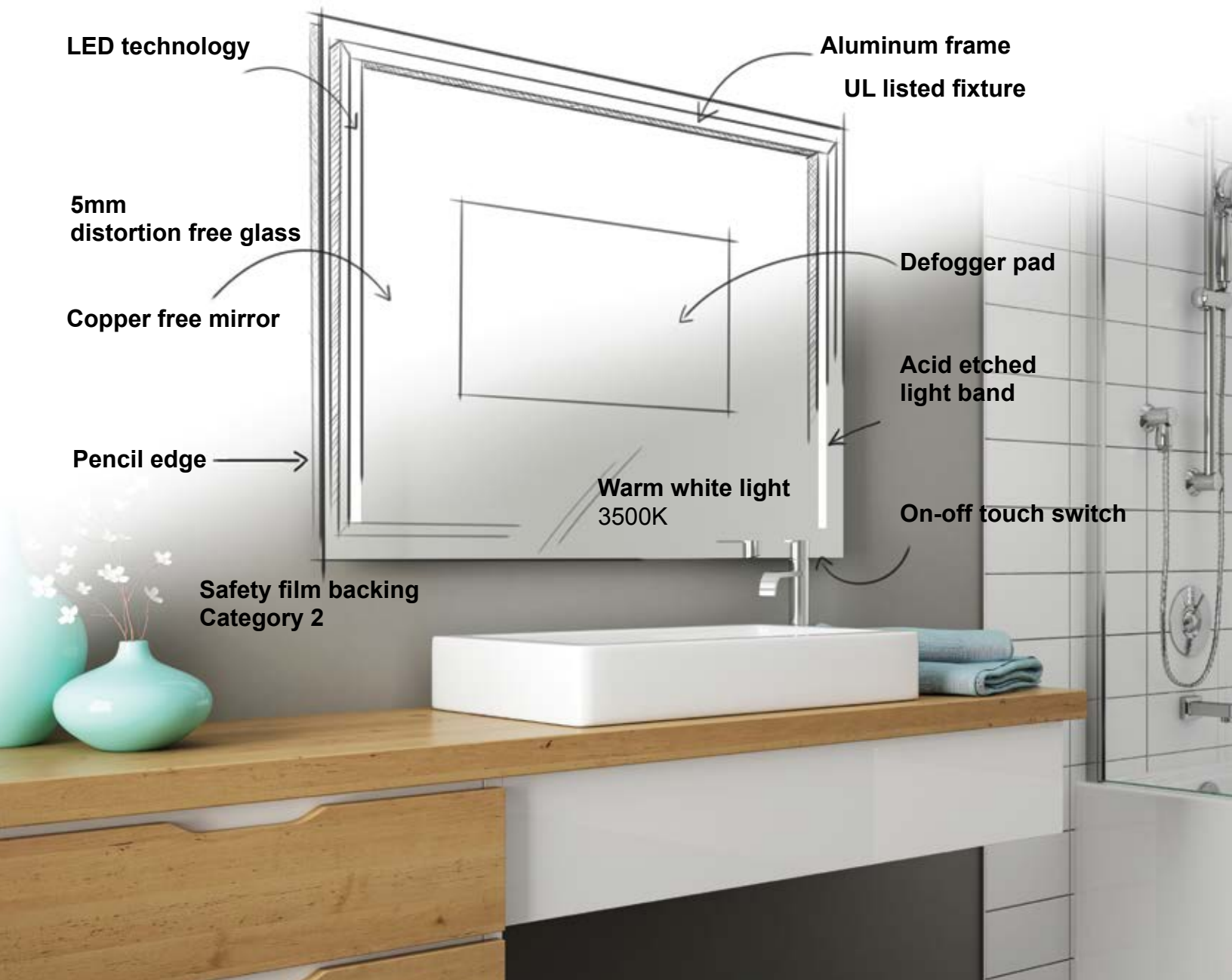
**Sunrize** bathroom mirror **6 - 7**



**Dione** mirror **8 - 9**

**Technical specifications** **10 - 16**

US|2016



3500K Warm white light



**KELVIN (K)** is a unit of measurement used to describe the hue of a specific light source. This is not necessarily related to the heat output of the light source but rather the color of the light output. The higher the Kelvin value of the light source, the closer the light's color output will be to actual daylight.

**LUMENS** is measure of the total quantity of visible light emitted by a source.

# BENEFITS

luna

MIRRORS

## LED technology

Energy efficient and compatible with an optional wall dimmer

## 5mm distortion free glass

For quality and clarity

## Copper free mirror

Prevents black edge corrosion

## Pencil edge

For clean look

## Safety film backing

For security

## Defogger pad

Targeted area for fog free reflection

## Warm white light

Best lighting for makeup and shaving

## Aluminum frame

For easy installation

## UL listed fixture

All components and product pass all UL listing codes

## Acid etched light band

Allows light to pass through mirror face

## On-off touch switch

Easily located



Rely on UL, one of the world's leading independent product testing organizations, when you want to ensure that the luminaires and lighting system controls you buy and use in your environment are high performing, reliable and safe. When you look for quality, look for the UL Mark.

[www.fleurcoluna.com](http://www.fleurcoluna.com)

MODEL	SIZE	DEFOGGER	DEFOGGER TYPE	PRICE	TECH SPECS
MHA2436	24" x 36"	1	single centered	\$636	page 10
MHA3036	30" x 36"	1	single centered	\$816	page 10
MHA3636	36" x 36"	1	single centered	\$870	page 11
MHA4236	42" x 36"	2	double centered	\$936	page 11
MHA4836	48" x 36"	2	double centered	\$1,016	page 12
MHA6036	60" x 36"	2	double split	\$1,166	page 12
MHA7236	72" x 36"	2	double split	\$1,298	page 13





**HALO** MHA6036

MODEL	SIZE	DEFOGGER	DEFOGGER TYPE	PRICE	TECH SPECS
MSU2436	24" x 36"	1	single centered	\$478	page 13
MSU3036	30" x 36"	1	single centered	\$584	page 14
MSU3636	36" x 36"	1	single centered	\$596	page 14
MSU4236	42" x 36"	2	double centered	\$612	page 15
MSU4836	48" x 36"	2	double centered	\$656	page 15





**Sunrize** MSU2436

MODEL	SIZE	DEFOGGER	PRICE	TECH SPECS
MSU2472	24"x 72"	NA	\$526	page 16
MSU3672	36"x 72"	NA	\$750	page 16





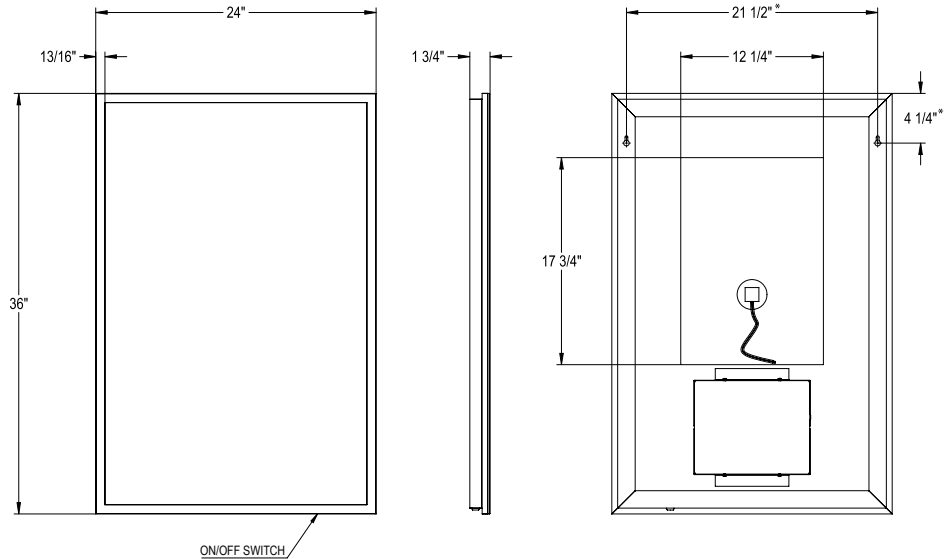


**Dione** MSU3672

## HALO

### MHA2436 - 24" x 36"

- mounts vertically
- power consumption: 45W
- 345 x 0.06W energy efficient LEDs
- brightness 1725 Lumens
- CCT 3500 Kelvin
- input 120V AC, 50/60Hz
- output 24V
- lamp life: 30,000 hours
- single centered defogger pad
- IP44 rated for safe use in bathrooms
- UL and CUL certified
- safety backing
- 5 year warranty

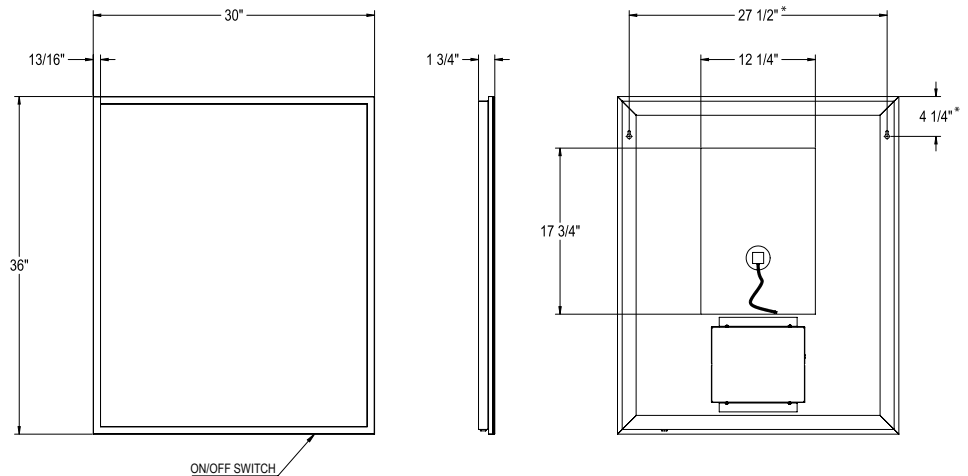


\*Tolerance on dimensions:  $\pm 1/4"$  (6 mm)

## HALO

### MHA3036 - 30" x 36"

- mounts vertically
- power consumption: 50W
- 381 x 0.06W energy efficient LEDs
- brightness 1905 Lumens
- CCT 3500 Kelvin
- input 120V AC, 50/60Hz
- output 24V
- lamp life: 30,000 hours
- single centered defogger pad
- IP44 rated for safe use in bathrooms
- UL and CUL certified
- safety backing
- 5 year warranty

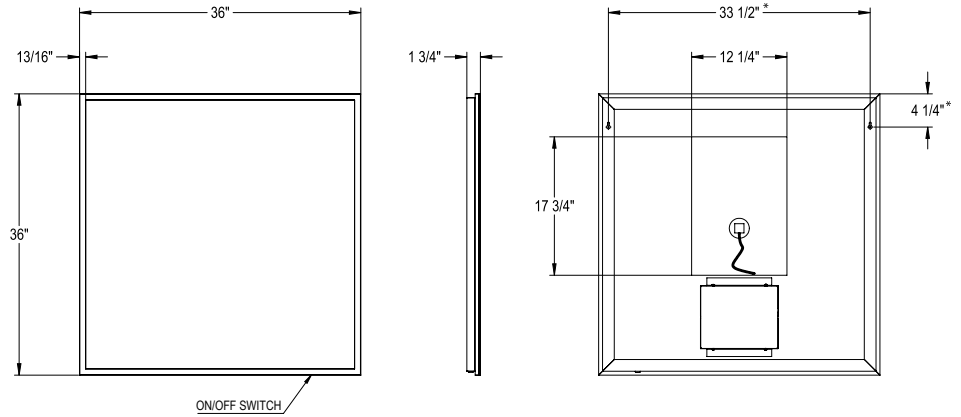


\*Tolerance on dimensions:  $\pm 1/4"$  (6 mm)

## HALO

### MHA3636 - 36" x 36"

- mounts vertically
- power consumption: 50W
- 420 x 0.06W energy efficient LEDs
- brightness 2100 Lumens
- CCT 3500 Kelvin
- input 120V AC, 50/60Hz
- output 24V
- lamp life: 30,000 hours
- single centered defogger pad
- IP44 rated for safe use in bathrooms
- UL and CUL certified
- safety backing
- 5 year warranty

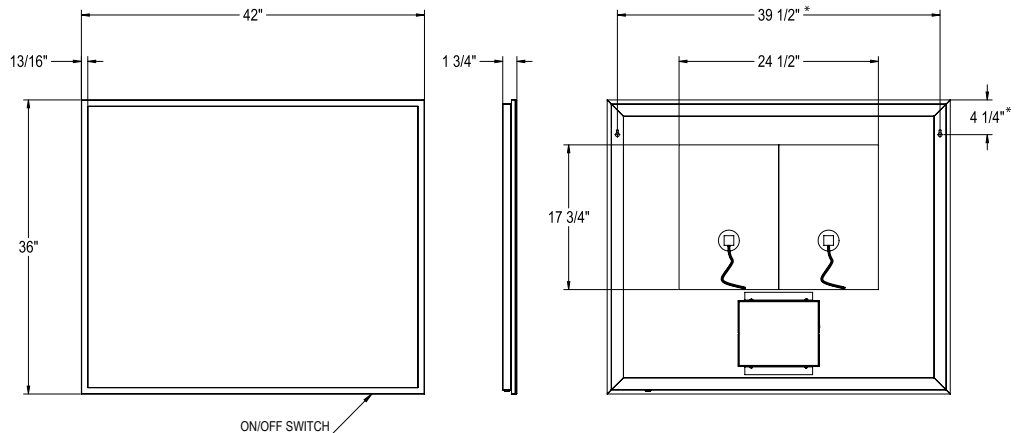


\*Tolerance on dimensions:  $\pm 1/4"$  (6 mm)

## HALO

### MHA4236 - 42" x 36"

- mounts horizontally
- power consumption: 77 W
- 456 x 0.06W energy efficient LEDs
- brightness 2280 Lumens
- CCT 3500 Kelvin
- input 120V AC, 50/60Hz
- output 24V
- lamp life: 30,000 hours
- double centered defogger pad
- IP44 rated for safe use in bathrooms
- UL and CUL certified
- safety backing
- 5 year warranty

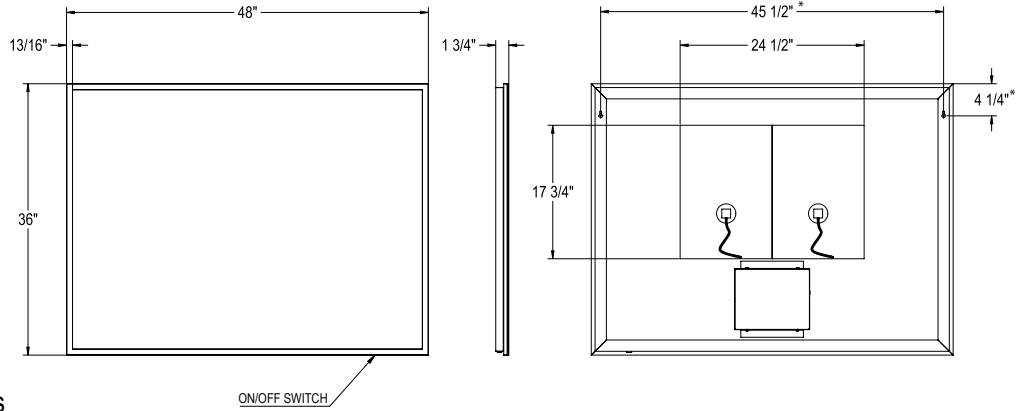


\*Tolerance on dimensions:  $\pm 1/4"$  (6 mm)

## HALO

### MHA4836 - 48" x 36"

- mounts horizontally
- power consumption: 79W
- 492 x 0.06W energy efficient LEDs
- brightness 2460 Lumens
- CCT 3500 Kelvin
- input 120V AC, 50/60Hz
- output 24V
- lamp life: 30,000 hours
- double centered defogger pad
- IP44 rated for safe use in bathrooms
- UL and CUL certified
- safety backing
- 5 year warranty

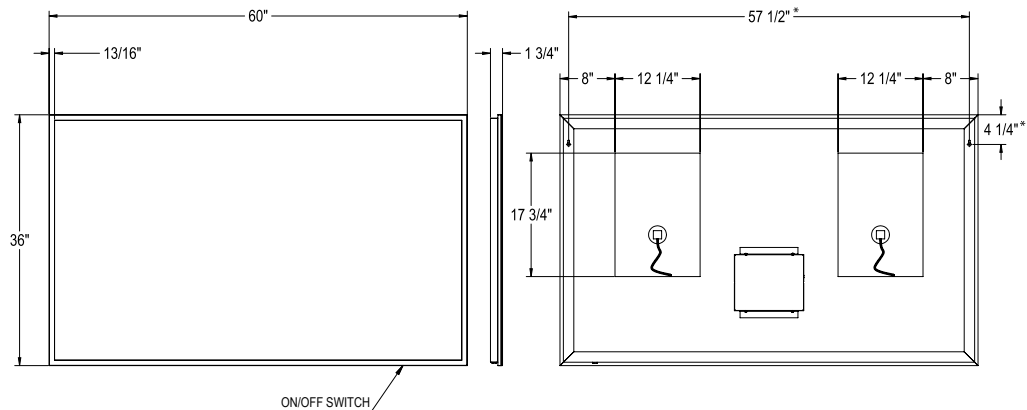


\*Tolerance on dimensions:  $\pm 1/4"$  (6 mm)

## HALO

### MHA6036 - 60" x 36"

- mounts horizontally
- power consumption: 80W
- 567 x 0.06W energy efficient LEDs
- brightness 2835 Lumens
- CCT 3500 Kelvin
- input 120V AC, 50/60Hz
- output 24V
- lamp life: 30,000 hours
- double split defogger pad
- IP44 rated for safe use in bathrooms
- UL and CUL certified
- safety backing
- 5 year warranty

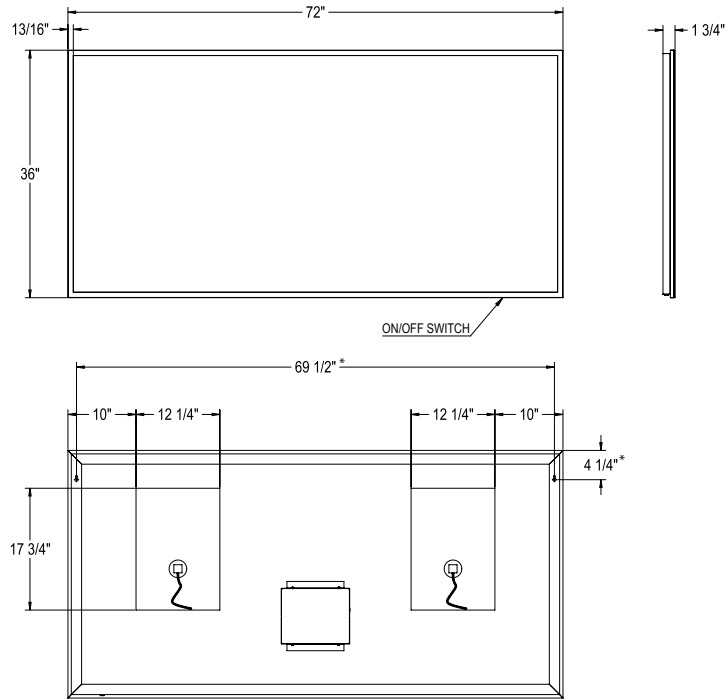


\*Tolerance on dimensions:  $\pm 1/4"$  (6 mm)

## HALO

### MHA7236 - 72" x 36"

- mounts horizontally
- power consumption: 85W
- 639 x 0.06W energy efficient LEDs
- brightness 3195 Lumens
- CCT 3500 Kelvin
- input 120V AC, 50/60Hz
- output 24V
- lamp life: 30,000 hours
- double split defogger pad
- IP44 rated for safe use in bathrooms
- UL and CUL certified
- safety backing
- 5 year warranty

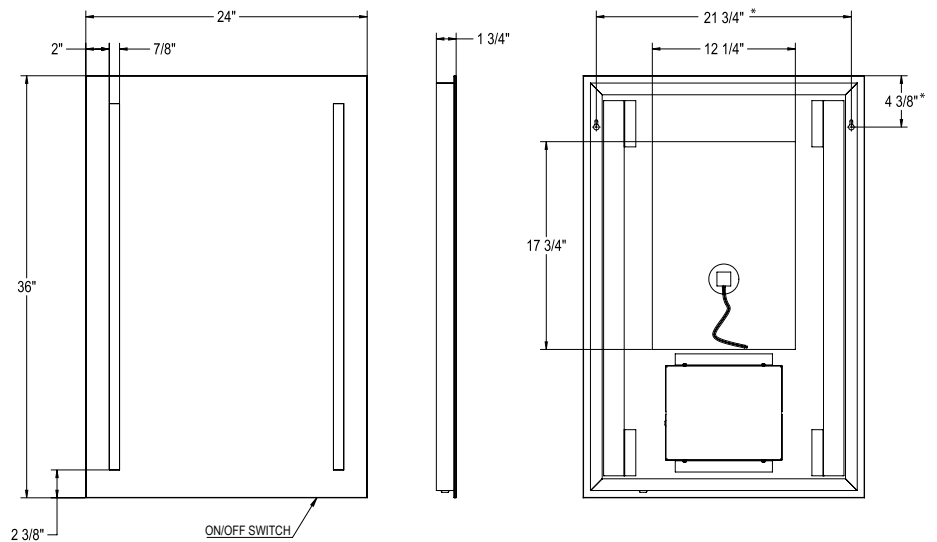


\*Tolerance on dimensions:  $\pm 1/4"$  (6 mm)

## SUNRISE

### MSU2436 - 24" x 36"

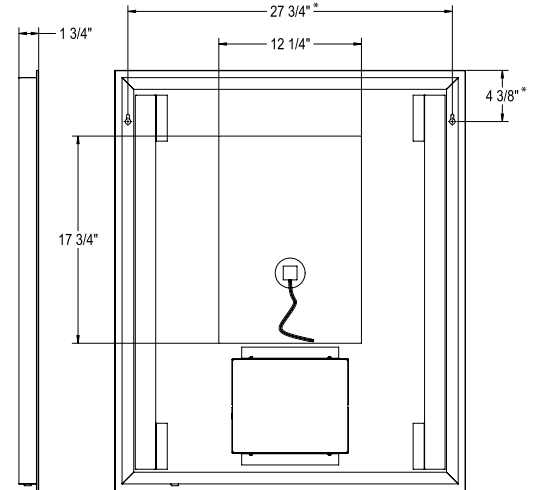
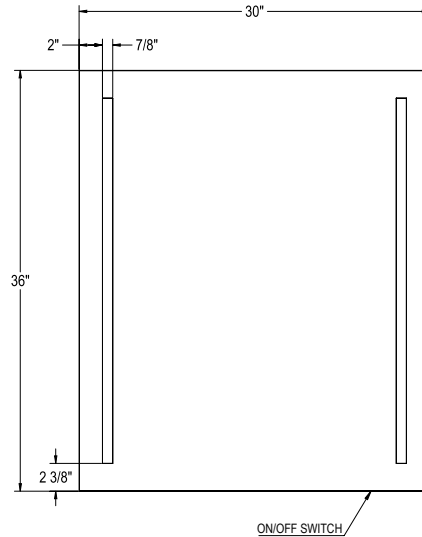
- mounts vertically
- power consumption: 40W
- 126 x 0.06W energy efficient LEDs
- brightness 630 Lumens
- CCT 3500 Kelvin
- input 120V AC, 50/60Hz
- output 24V
- lamp life: 30,000 hours
- single centered defogger pad
- IP44 rated for safe use in bathrooms
- UL and CUL certified
- safety backing
- 5 year warranty



\*Tolerance on dimensions:  $\pm 1/4"$  (6 mm)

## SUNRIZE MSU3036 - 30" x 36"

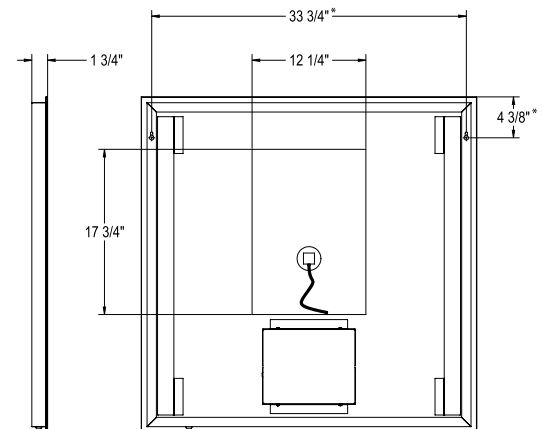
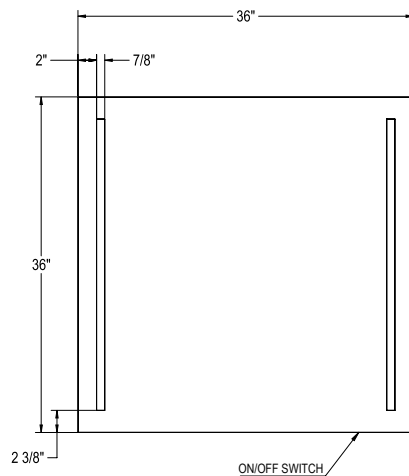
- mounts vertically
- power consumption: 40W
- 126 x 0.06W energy efficient LEDs
- brightness 630 Lumens
- CCT 3500 Kelvin
- input 120V AC, 50/60Hz
- output 24V
- lamp life: 30,000 hours
- single centered defogger pad
- IP44 rated for safe use in bathrooms
- UL and CUL certified
- safety backing
- 5 year warranty



\*Tolerance on dimensions:  $\pm 1/4"$  (6 mm)

## SUNRIZE MSU3636 - 36" x 36"

- mounts vertically
- power consumption: 40W
- 126 x 0.06W energy efficient LEDs
- brightness 630 Lumens
- CCT 3500 Kelvin
- input 120V AC, 50/60Hz
- output 24V
- lamp life: 30,000 hours
- single centered defogger pad
- IP44 rated for safe use in bathrooms
- UL and CUL certified
- safety backing
- 5 year warranty

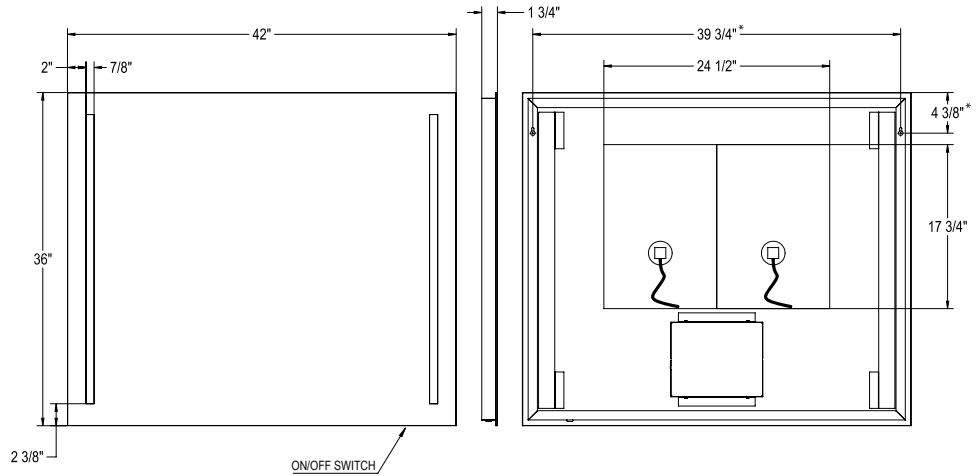


\*Tolerance on dimensions:  $\pm 1/4"$  (6 mm)

## SUNRIZE

### MSU4236 - 42" x 36"

- mounts horizontally
- power consumption: 65W
- 126 x 0.06W energy efficient LEDs
- brightness 630 Lumens
- CCT 3500 Kelvin
- input 120V AC, 50/60Hz
- output 24V
- lamp life: 30,000 hours
- double centered defogger pad
- IP44 rated for safe use in bathrooms
- UL and CUL certified
- safety backing
- 5 year warranty

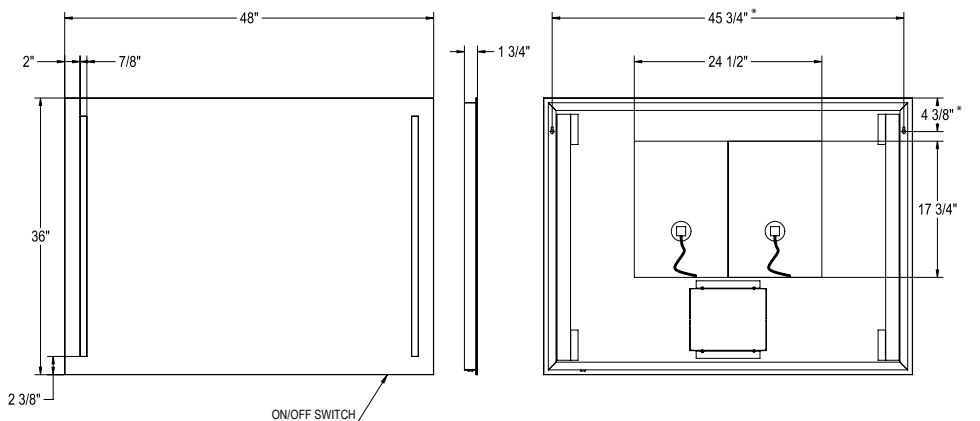


\*Tolerance on dimensions:  $\pm 1/4"$  (6 mm)

## SUNRIZE

### MSU4836 - 48" x 36"

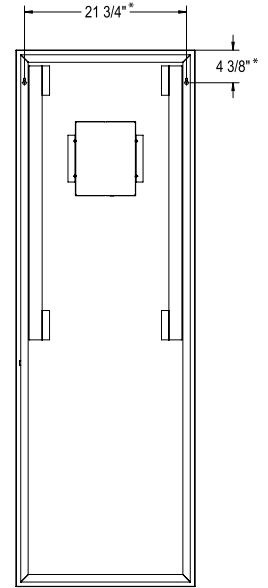
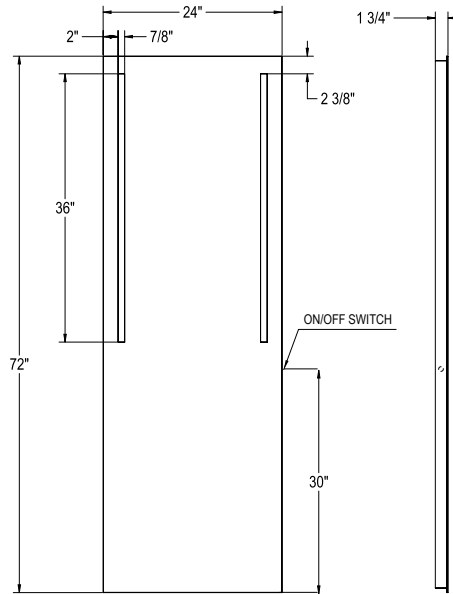
- mounts horizontally
- power consumption: 65W
- 126 x 0.06W energy efficient LEDs
- brightness 630 Lumens
- CCT 3500 Kelvin
- input 120V AC, 50/60Hz
- output 24V
- lamp life: 30,000 hours
- double centered defogger pad
- IP44 rated for safe use in bathrooms
- UL and CUL certified
- safety backing
- 5 year warranty



\*Tolerance on dimensions:  $\pm 1/4"$  (6 mm)

## Dione MSU2472 - 24" x 72"

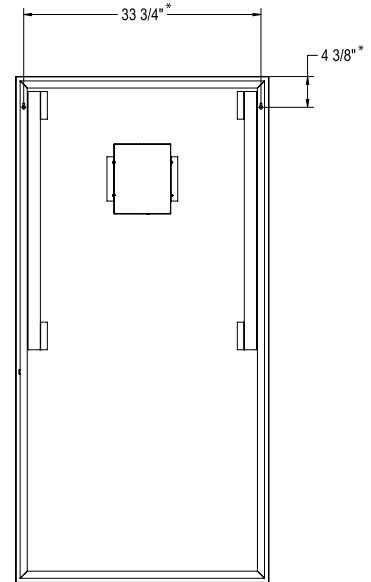
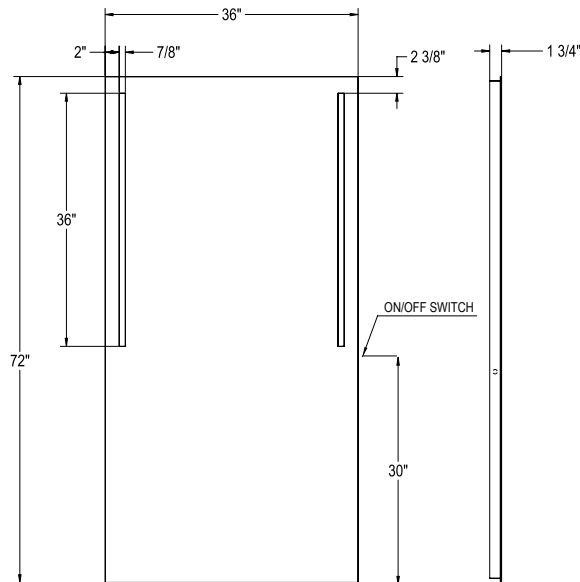
- mounts vertically
- power consumption: 16W
- 138 x 0.06W energy efficient LEDs
- brightness 690 Lumens
- CCT 3500 Kelvin
- input 120V AC, 50/60Hz
- output 24V
- lamp life: 30,000 hours
- IP44 rated for safe use in bathrooms
- UL and CUL certified
- safety backing
- 5 year warranty



\*Tolerance on dimensions:  $\pm 1/4"$  (6 mm)

## Dione MSU3672 - 36" x 72"

- mounts vertically
- power consumption: 16W
- 138 x 0.06W energy efficient LEDs
- brightness 690 Lumens
- CCT 3500 Kelvin
- input 120V AC, 50/60Hz
- output 24V
- lamp life: 30,000 hours
- IP44 rated for safe use in bathrooms
- UL and CUL certified
- safety backing
- 5 year warranty



\*Tolerance on dimensions:  $\pm 1/4"$  (6 mm)